



StratoScape
TARTAN

Fräsch was founded on the belief that creating healthy and beautiful office environments leads to a happier and highly motivated workforce.



StratoScape
TARTAN

Suspended Baffle

Weave a pattern of creativity with Tartan, a suspended acoustic raft from our StratoScape range.

Like a timeless tartan fabric, this module seamlessly integrates aesthetics with acoustic control, reducing reverberation while creating a cozy atmosphere.

Architects and designers can create environments that invoke a sense of tradition and comfort.

Application Suspended Acoustic System

Components
86.6in X 86.6in X 15.7in

Hardware
Default: Convenient Snap together construction

Material Content 12 mm 100% PET (55% recycled content)

Fire Rating Class A per ASTM E-84, based on 9mm white

Acoustics

NRC 0.35 0.54 0.85 1.22 0.75

NRC rating is based on one full sheet of 12mm PET material

Environment Low VOC;
Post-Consumer Recycled Content
100% Recyclable

Installation
TARTAN is suspended from the ceiling.

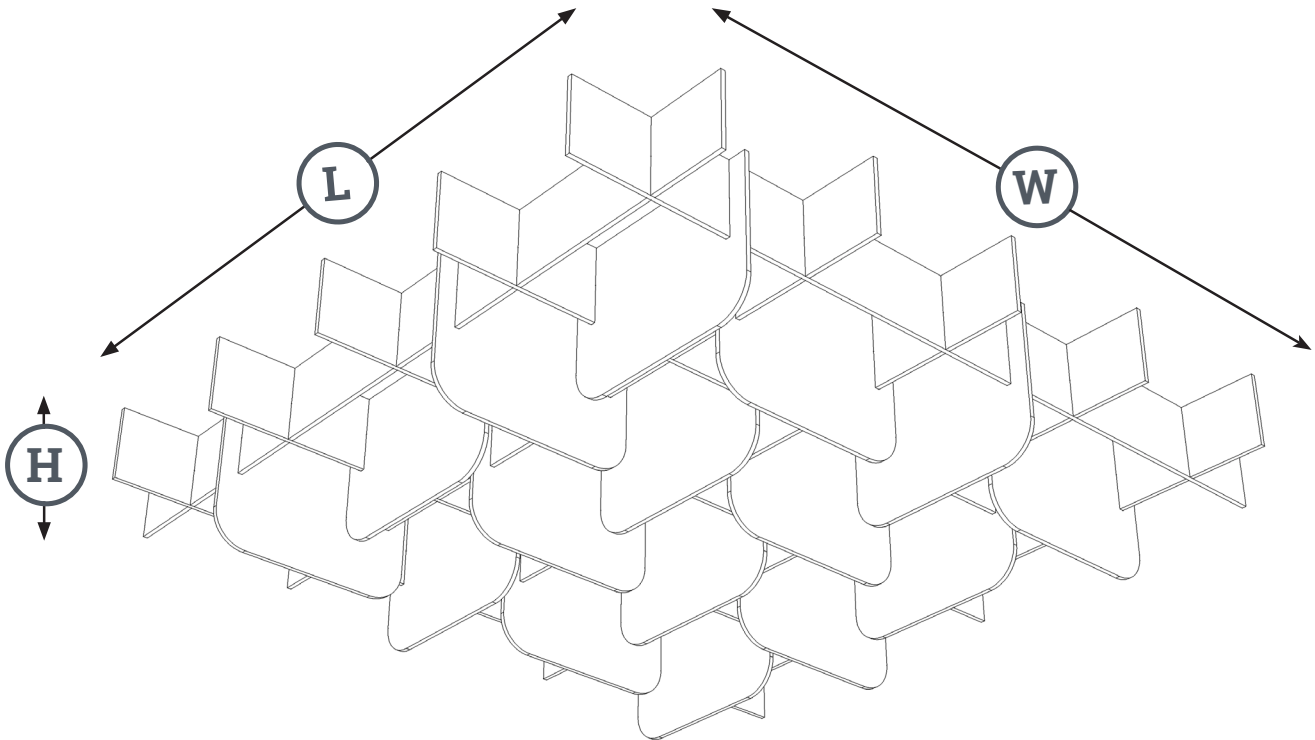
Country of Origin USA

Warranty 2 Years

Designed by
1six8

fräsch!

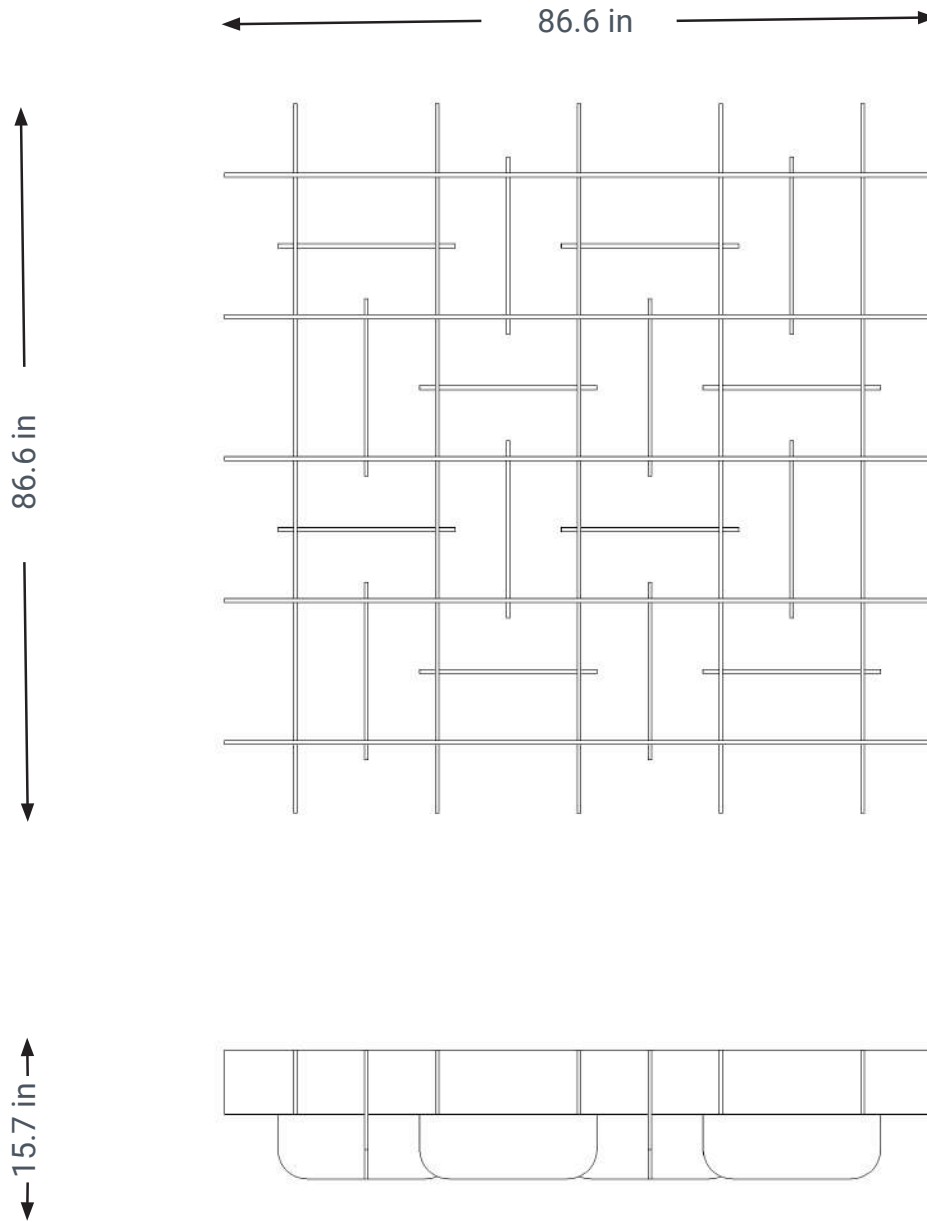
TARTAN Dimensions



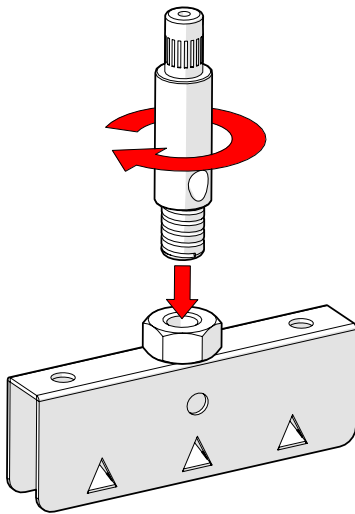
HEIGHT	LENGTH	WIDTH
15.7 in	86.6 in	86.6 in

TARTAN

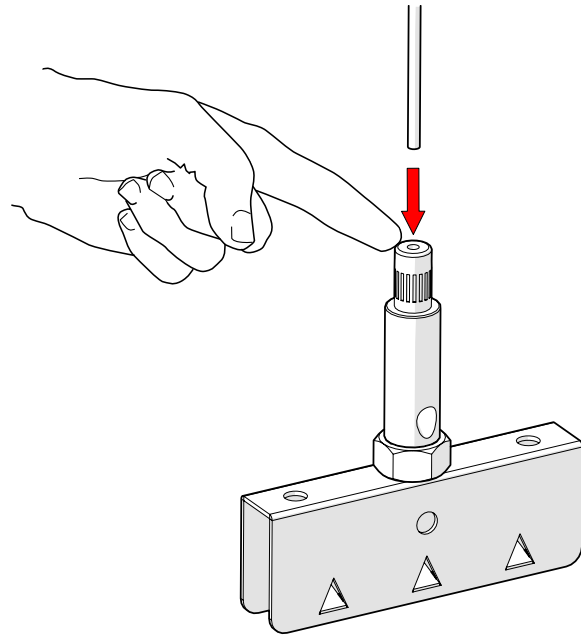
Dimensions



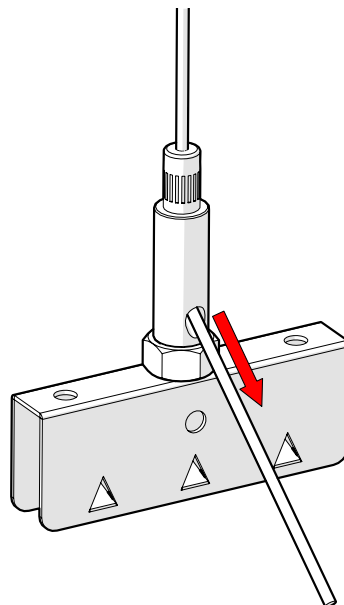
GRIP LOCK/AIRCRAFT CABLE INSTALLATION



A - Screw grip lock into the hex nut welded to the spike bracket.



B - To insert the aircraft cable into the grip lock, press firmly on the nipple while threading the cable through the channel. Release the nipple to lock the cable in place.



Cut any excess cable with wire cutters