



StratoScape PRIME

Fräsch was founded on the belief that creating healthy and beautiful office environments leads to a happier and highly motivated workforce.



StratoScape PRIME

Suspended Baffle

Elevate your surroundings with Prime, a parametric acoustic raft from StratoScape.

Visually striking while reducing reverberation within a room where occupants can thrive in an environment of audible comfort.

Application Suspended Acoustic System

Components

75.2in X 23.6in X 15.7in

Hardware

Default: Convenient Snap together construction

Material Content 12 mm 100% PET (55% recycled content)

Fire Rating Class A per ASTM E-84, based on 9mm white

Acoustics

NRC 0.35 0.54 0.85 1.22 0.75

NRC rating is based on one full sheet of 12mm PET material

Environment Low VOC;
Post-Consumer Recycled Content
100% Recyclable

Installation

PRIME is suspended from the ceiling.

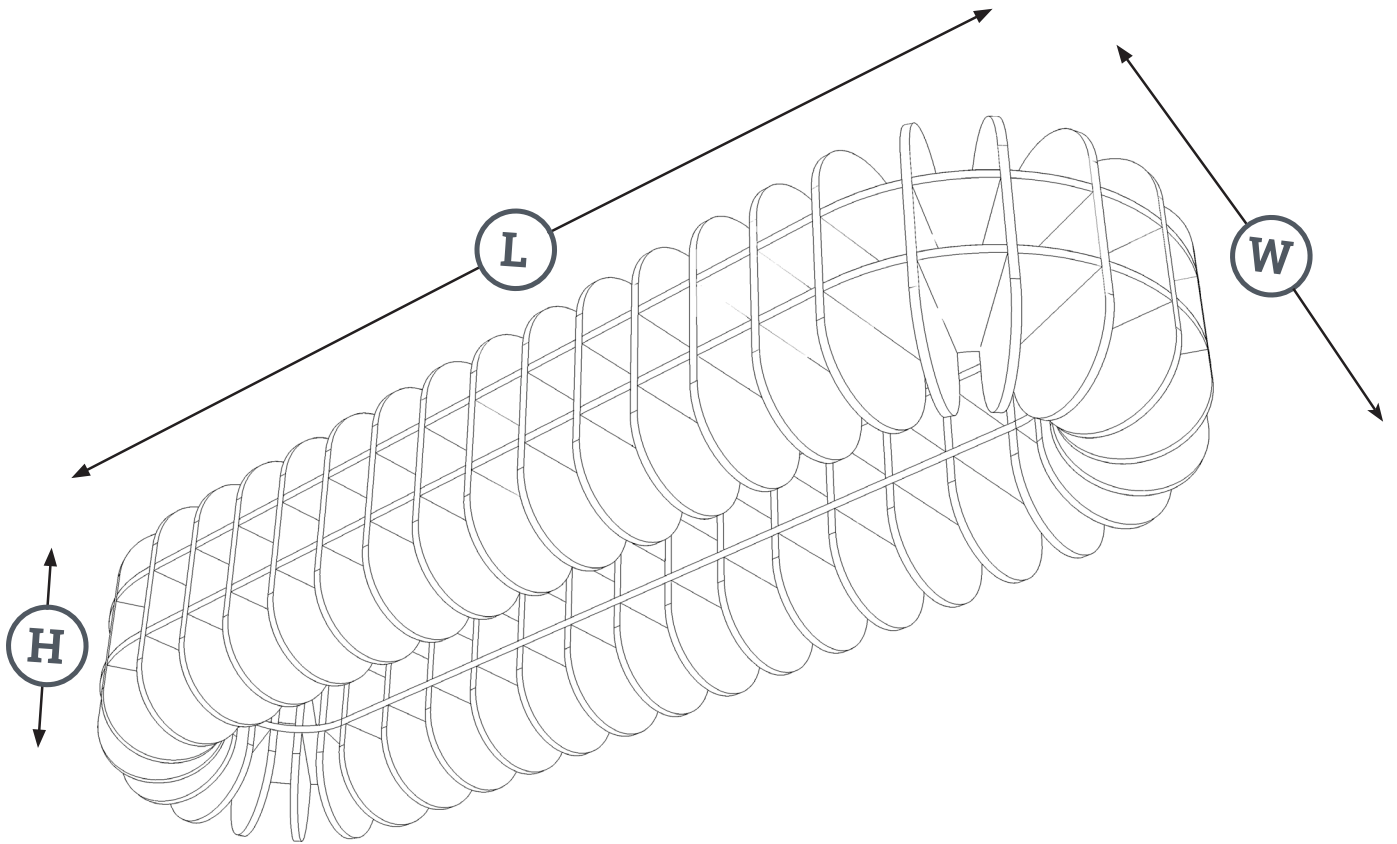
Country of Origin USA

Warranty 2 Years

Designed by
1six8

fräsch!

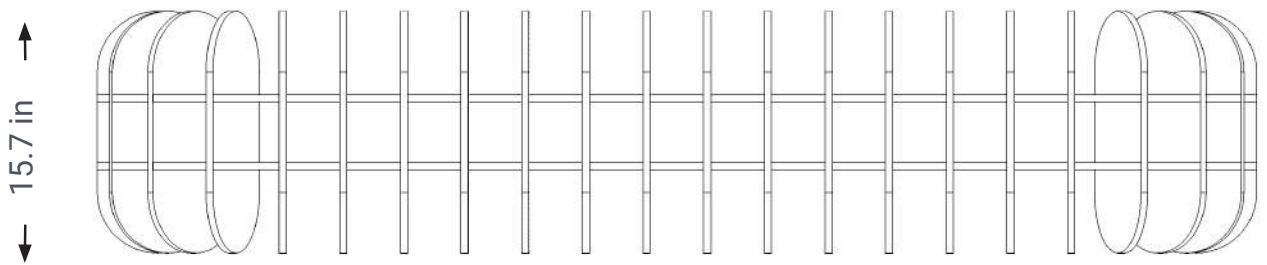
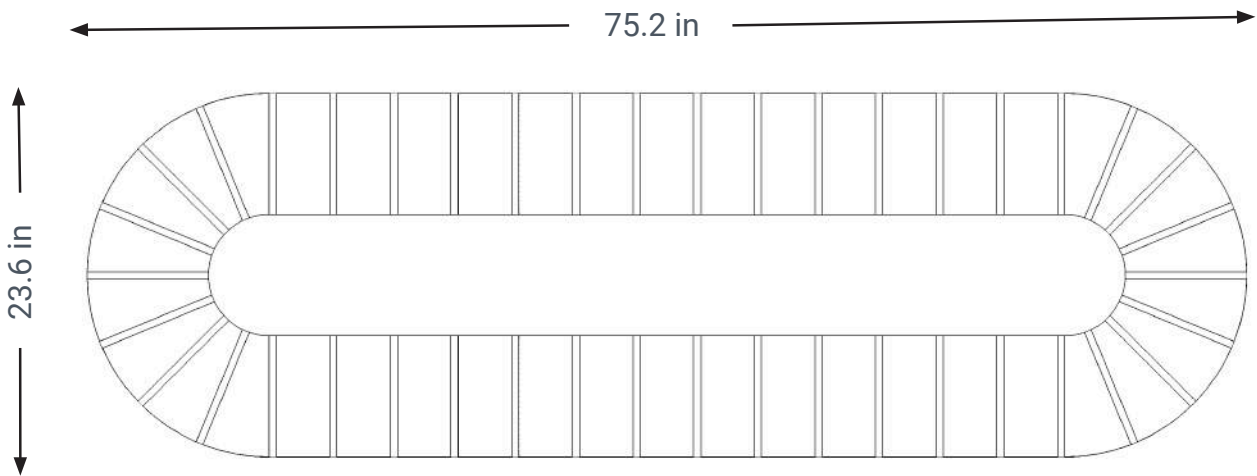
PRIME Dimensions

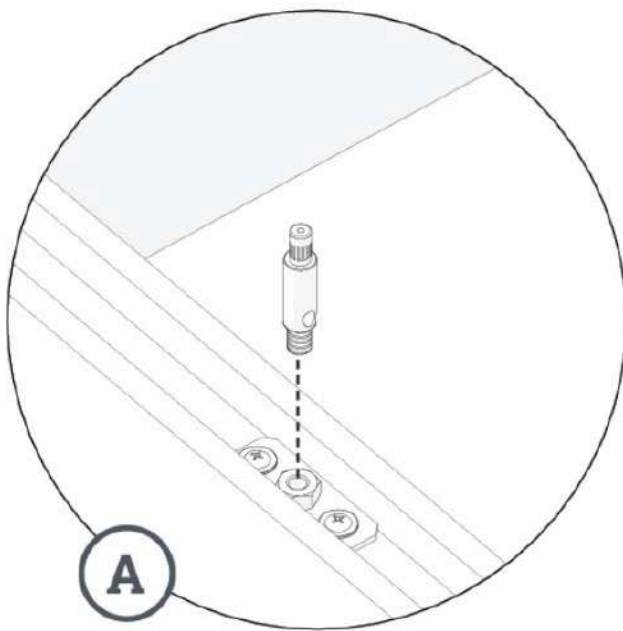
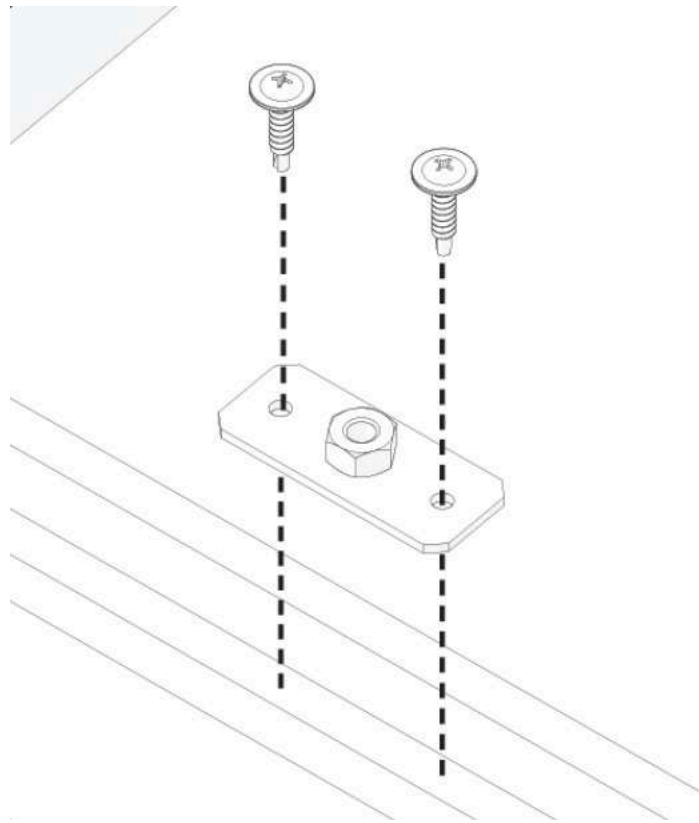


HEIGHT	LENGTH	WIDTH
15.7 in	75.2 in	23.6 in

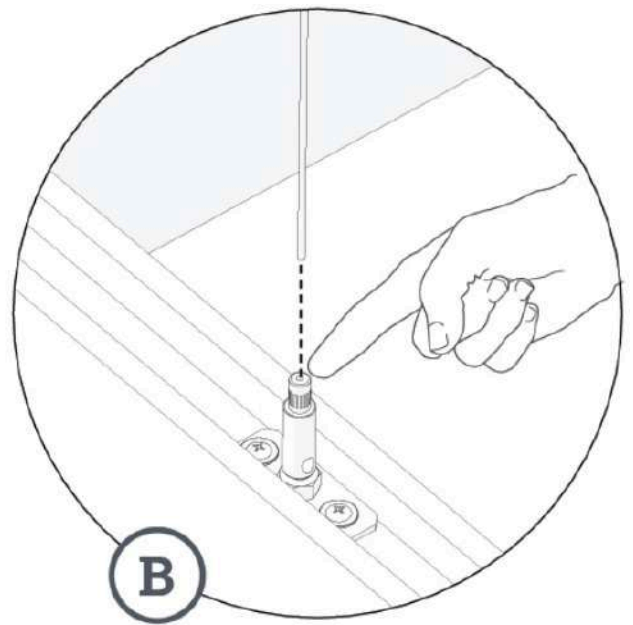
PRIME

Dimensions





A
Screw the Grip Lock into the flat bracket.



B
Press down on the plunger while inserting the cable.