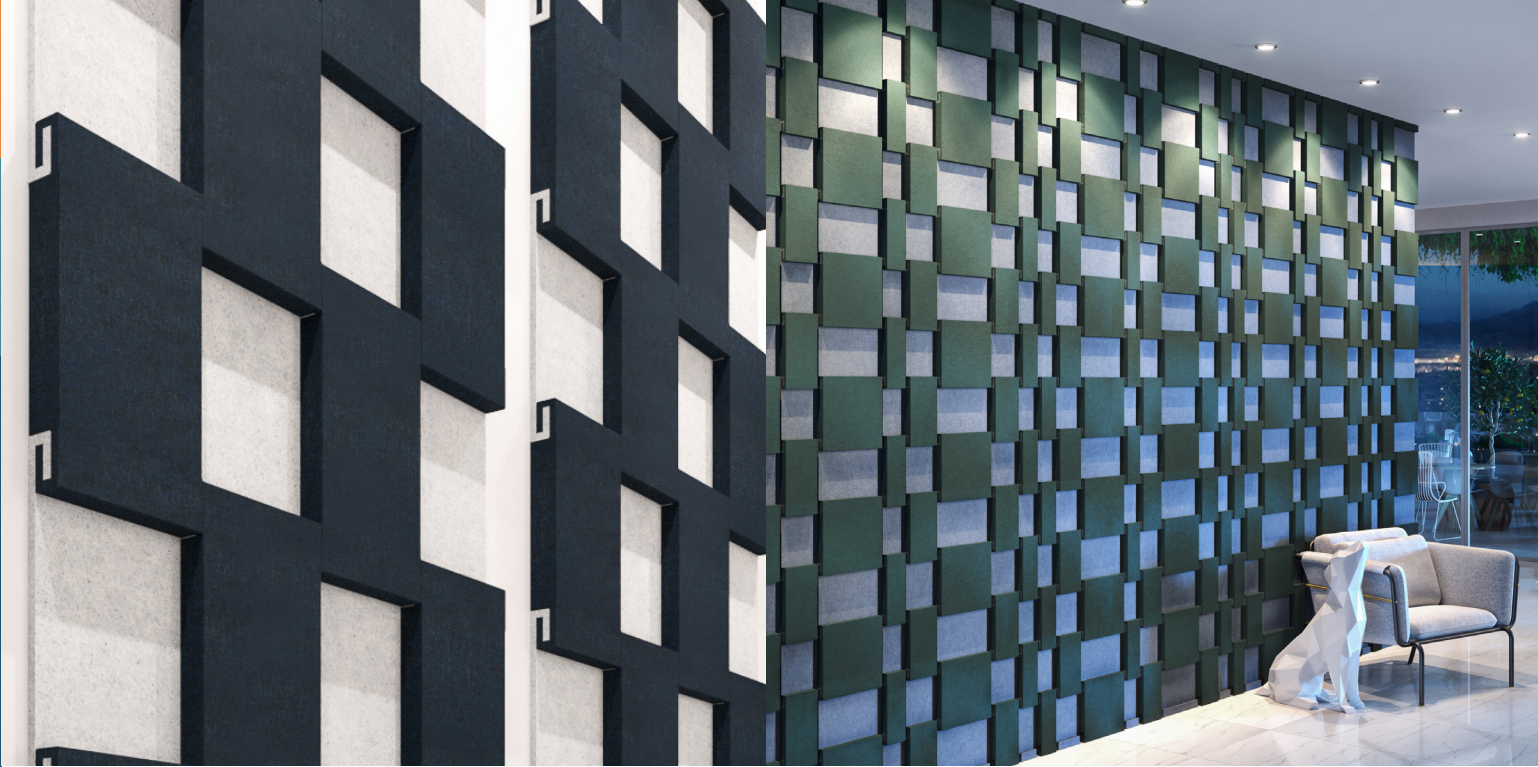




WEAVE

Fräsch was founded on the belief that creating healthy and beautiful office environments leads to a happier and highly motivated workforce.



WEAVE

Acoustical Wall Tile

WEAVE is a contemporary acoustic wall tile that interlocks to create a layered, three-dimensional effect. Tiles easily fit together and the tongue and groove fitting makes a lovely detail when using two different colors of PET. Secret Trap Door (patent pending) design makes installation a breeze using standard screws. Secret Trap Door disappears after WEAVE is mounted.

Application Wall Mounted Tile

	L	W	H	WEIGHT
WEAVE Tile Small	11.42"	1.46"	3.78"	.15 lbs.
WEAVE Tile Medium	11.42"	1.46"	5.67"	.2 lbs.
WEAVE Tile Large	11.42"	1.46"	11.34"	.37 lbs.

Minimum Order Quantity [MOQ]:

WEAVE Box (S)	20 front, 20 back, 20 end caps
WEAVE Box (M)	15 front, 15 back, 15 end caps
WEAVE Box (L)	15 front, 15 back, 15 end caps

Hardware

Default: Drywall Screws via patent pending Secret Trap Door

Material Content 9 mm 100% PET (55% recycled content)

Fire Rating Class A per ASTM E-84, based on 9mm white

Acoustics

Frequency (Hz)	250	500	1K	2K	NRC
NRC	.12	.28	.61	.91	.50
Sabins per m²	8.71	20.33	45.18	66.55	

Test was conducted while product was in its actual installation setting

All NRC testings assumes one face/one object and does not account for the product thickness

Environment

Low VOC;
Post-Consumer Recycled Content
100% Recyclable

Installation

WEAVE's interlocking assembly makes installation a cinch. Simply screw them into the wall using the patent pending Secret Trap Door.

Country of Origin

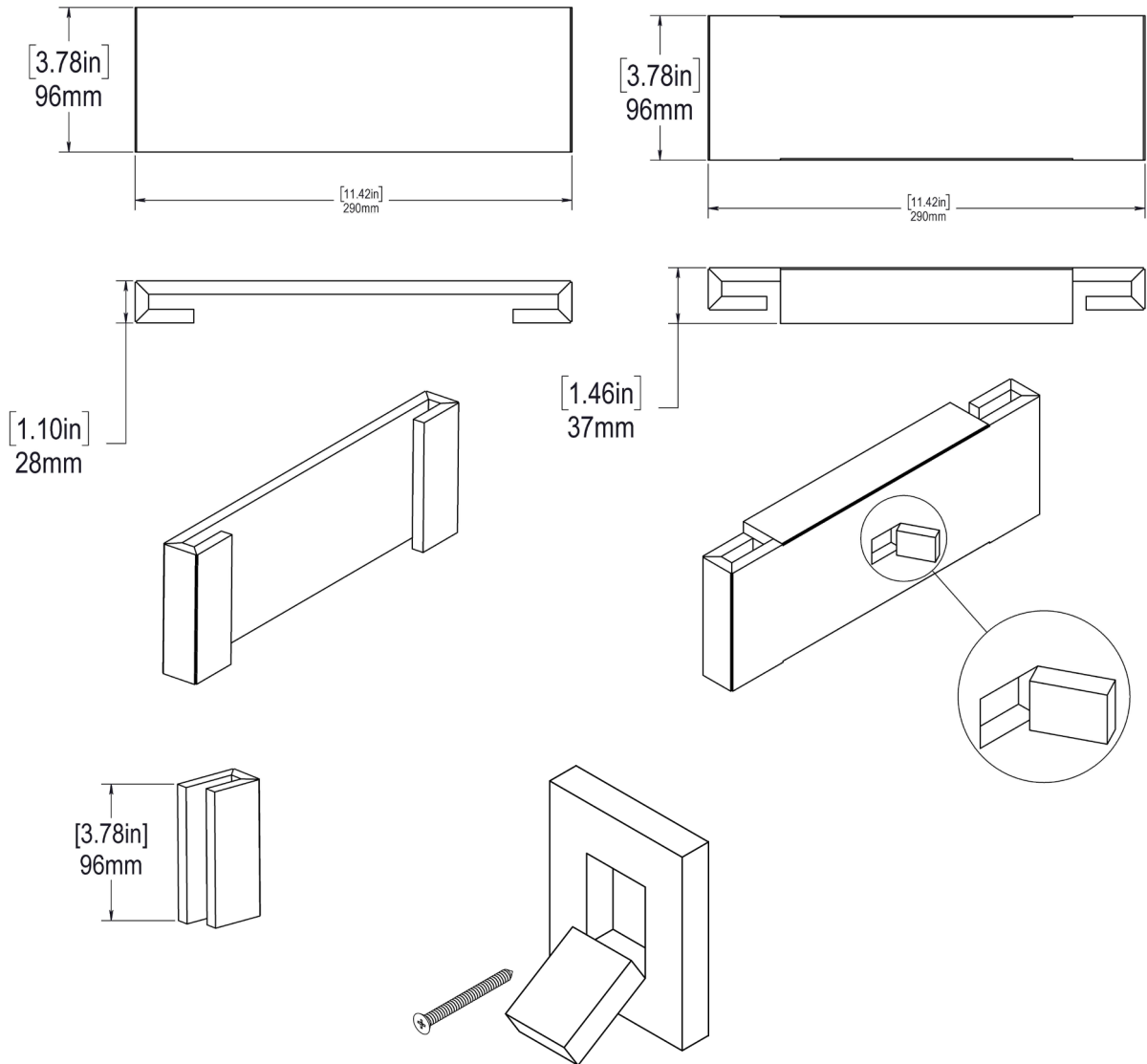
USA

Warranty

2 Years

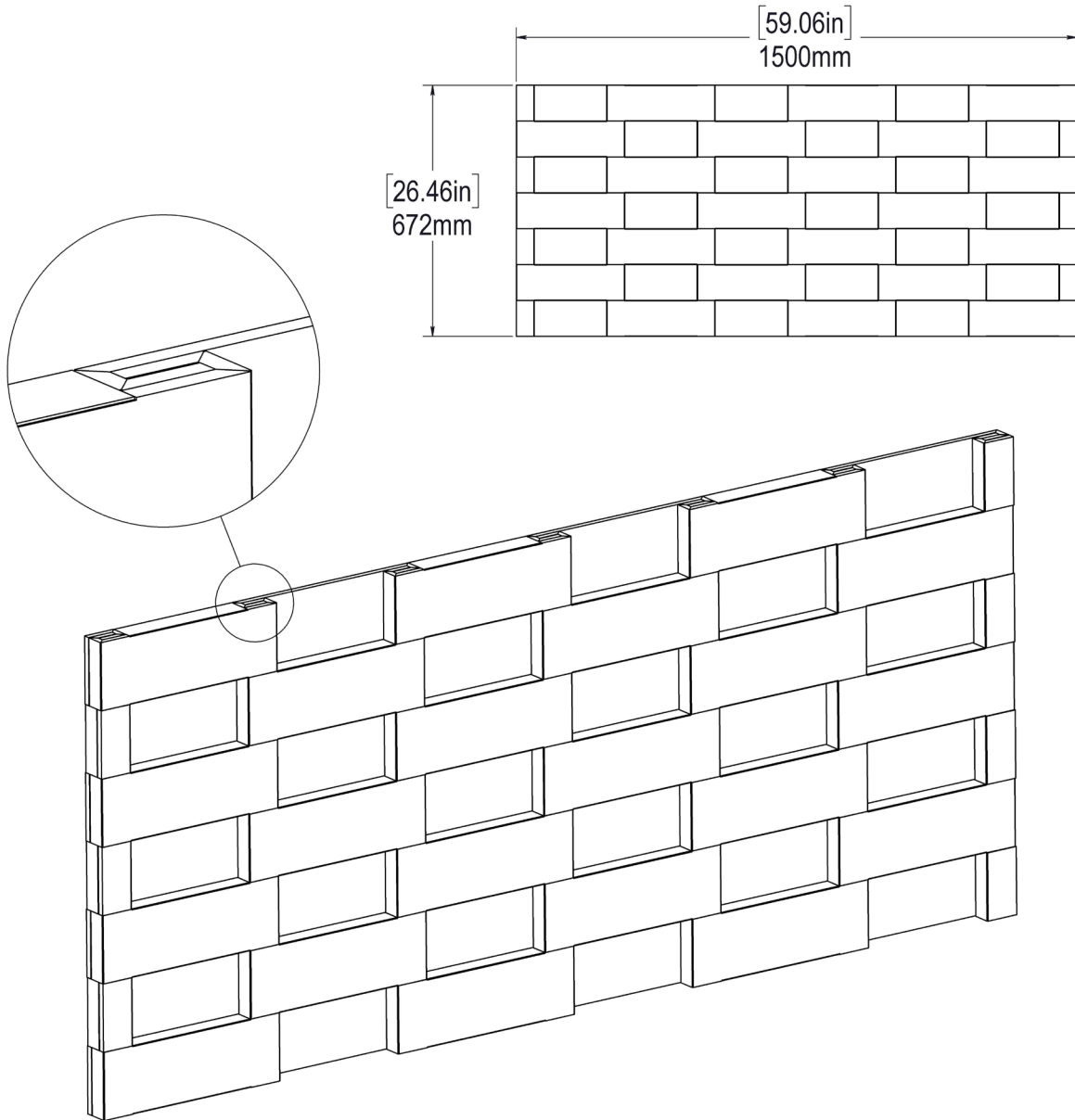
WEAVE SMALL (3IN)

AVAILABLE DIMENSIONS



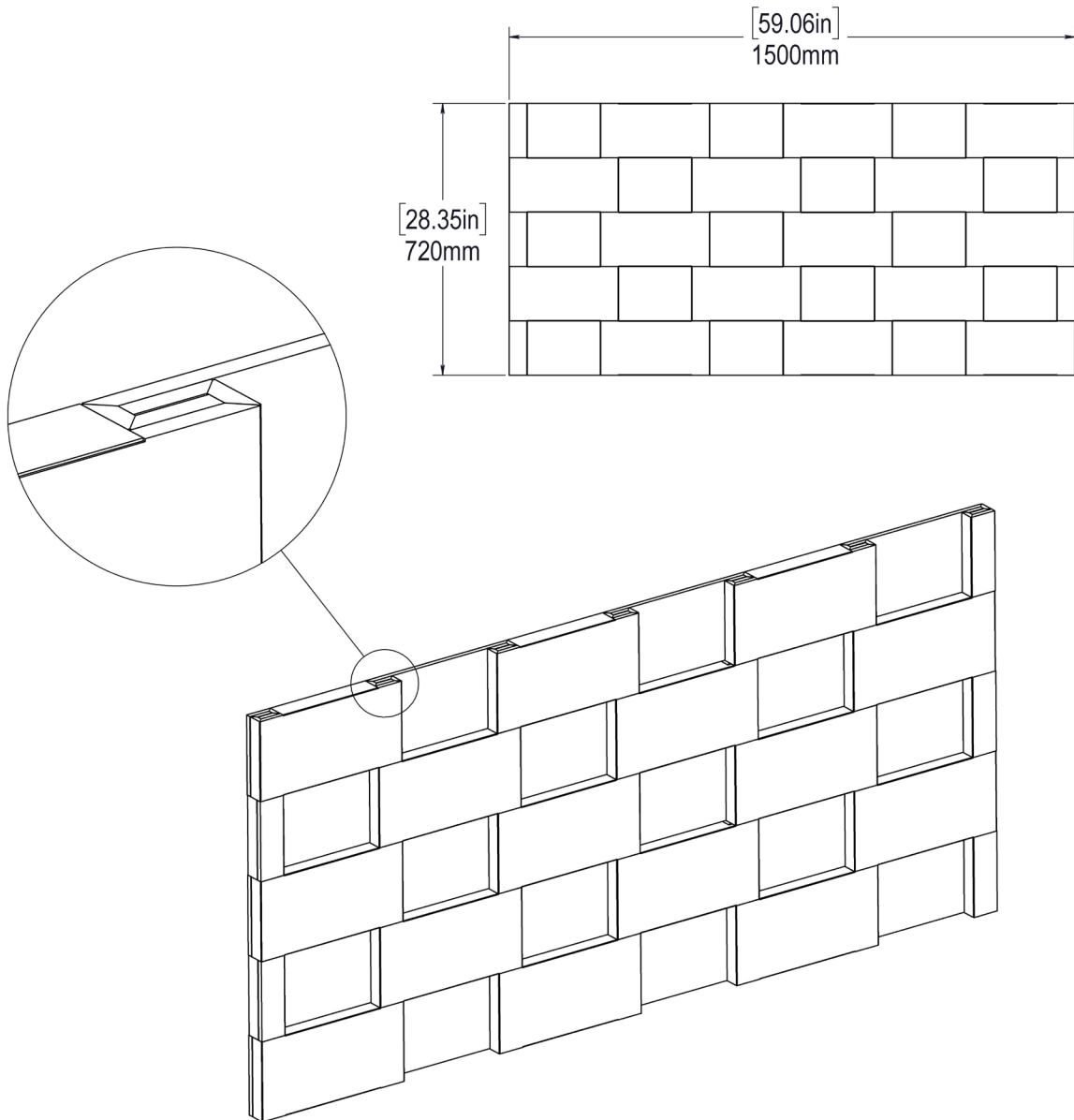
WEAVE SMALL (3IN)

LAYOUT



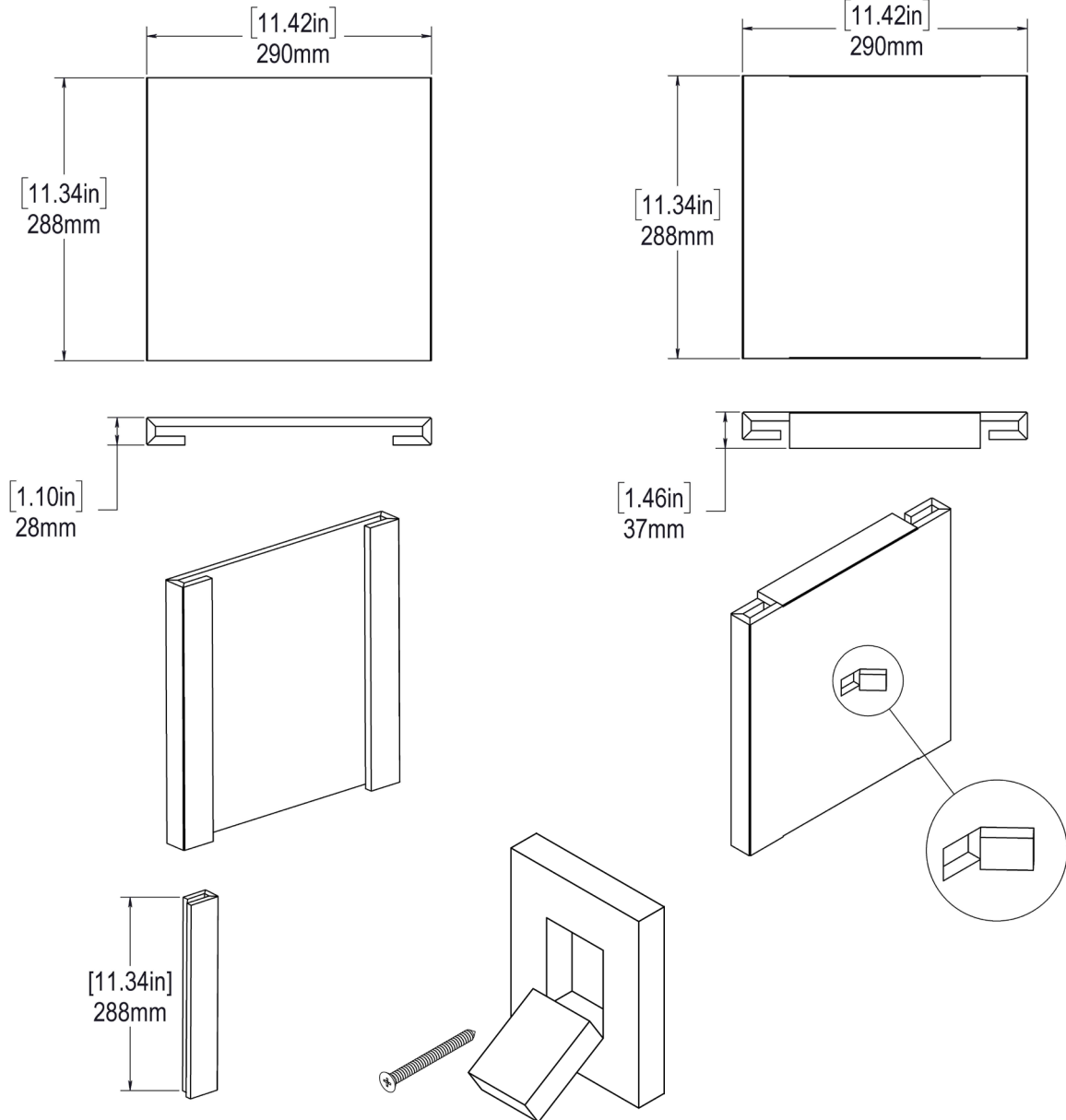
WEAVE MEDIUM (6IN)

LAYOUT



WEAVE LARGE (12IN)

AVAILABLE DIMENSIONS



WEAVE LARGE (12IN)

LAYOUT

