



## VIBE-NAMI WALL

Fräsch was founded on the belief that creating healthy and beautiful office environments leads to a happier and highly motivated workforce.



## VIBE-NAMI (SOLID)

### Acoustical Wall Tiles

Architectural geometry creates a three-dimensional ceiling application with a hollow cavity for optimal sound absorption. It can snap right onto impeller clips and be arranged in any pattern. VIBE-NAMI (SOLID) can be used independently or mixed and matched with VIBE-NAMI (FINS) for a contemporary aesthetic.

<b>Application</b>	Wall Mount			
	<b>L</b>	<b>W</b>	<b>H</b>	<b>WEIGHT</b>
<b>VIBE-NAMI (SOLID)</b>	24"	24"	4"	1.9 lbs.
<b>Hardware</b>	Default: Impeller Clip with Sheetrock Screws			
<b>Material Content</b>	9 mm 100% PET (55% recycled content)			
<b>Fire Rating</b>	Class A per ASTM E-84, based on 9mm white			

### Acoustics

<b>Frequency (Hz)</b>	<b>250</b>	<b>500</b>	<b>1K</b>	<b>2K</b>	<b>NRC</b>
<b>NRC</b>	0.50	0.97	1.07	1.07	<b>0.95</b>
<b>Sabins per m<sup>2</sup></b>	3.96	6.48	7.16	7.15	

Test was conducted while product was in its actual installation setting

All NRC testings assumes one face/one object and does not account for the product thickness

### Environment

Low VOC;  
Post-Consumer Recycled Content  
100% Recyclable

### Installation

VIBE-NAMI (SOLID) comes fully constructed, simply plan your layout area and mount VIBE-NAMI (SOLID) with impeller clips directly onto your wall surface. Custom installing may be requested for other wall type.

### Country of Origin

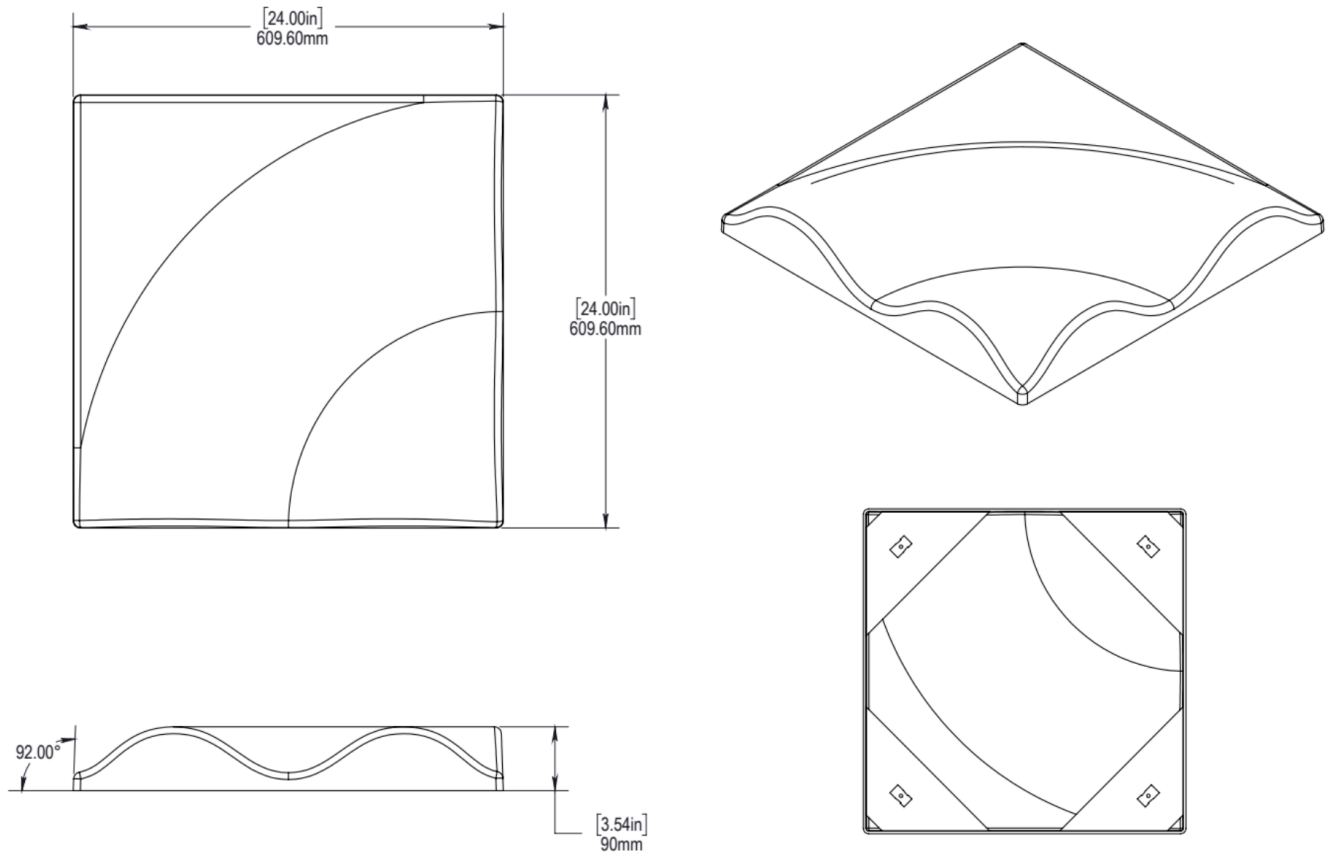
USA

### Warranty

2 Years

## VIBE-NAMI WALL (SOLID)

### AVAILABLE DIMENSIONS



## VIBE-NAMI WALL (SOLID)

### INSTALLATION & WALL LAYOUT

