

VIBE-NAMI

Fräsch was founded on the belief that creating healthy and beautiful office environments leads to a happier and highly motivated workforce.



VIBE-NAMI (FINS)

Acoustical Drop Grid Ceiling Application

Make waves with the subtle fluidity of VIBE-NAMI (FINS). The unique geometry uses thin, PET blades for a fan-like aesthetic. VIBE-NAMI (FINS) snaps into any existing T-Grid with our patent pending Spike Bracket for easy installation. VIBE-NAMI (FINS) can be mixed and matched with VIBE-NAMI (SOLID) or installed independently for a streamlined look.

Application Ceiling Grid Application

| | L | W | H | WEIGHT |
|------------------|-----|-----|----|----------|
| VIBE-NAMI (FINS) | 24" | 24" | 4" | 1.9 lbs. |

Custom sizing available

Hardware

Default: Drop Ceiling: Spike Bracket, Bracket Joiner

Material Content 9 mm 100% PET (55% recycled content)

Fire Rating Class A per ASTM E-84, based on 9mm white

Acoustics

| Frequency (Hz) | 250 | 500 | 1K | 2K | NRC |
|---------------------------|------|------|------|------|------|
| NRC | 0.35 | 0.54 | 0.85 | 1.22 | 0.75 |
| Sabins per m ² | 1.40 | 2.17 | 3.39 | 4.89 | |

Test was conducted while product was in its actual installation setting

All NRC testings assumes one face/one object and does not account for the product thickness

Environment

Low VOC;
Post-Consumer Recycled Content
100% Recyclable

Installation

VIBE-NAMI (FINS) comes fully constructed with LF Spike Bracket assembly for simple and fast installation to existing T-Grid ceiling. Custom installing may be requested for other ceiling type.

Country of Origin

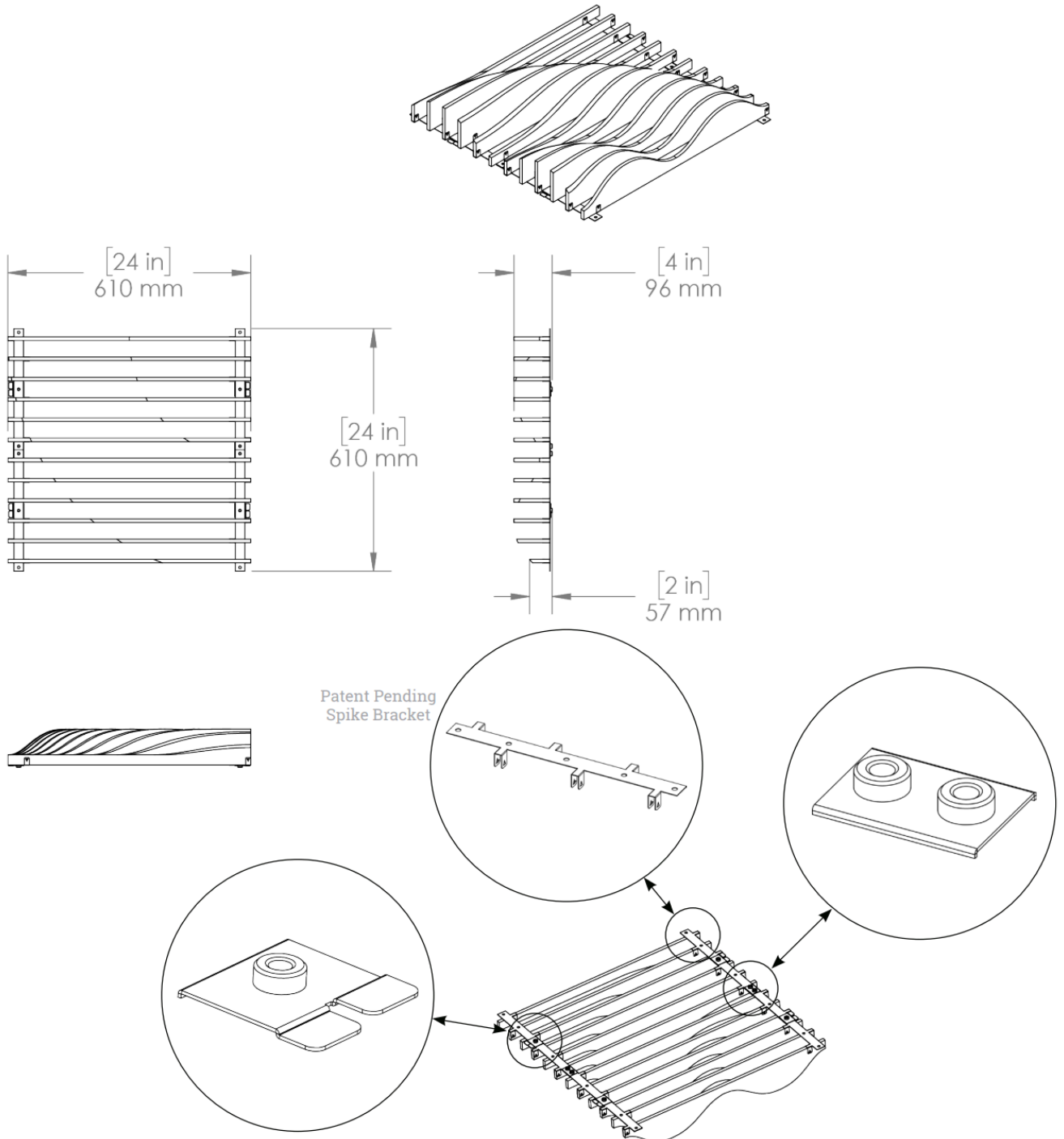
USA

Warranty

2 Years

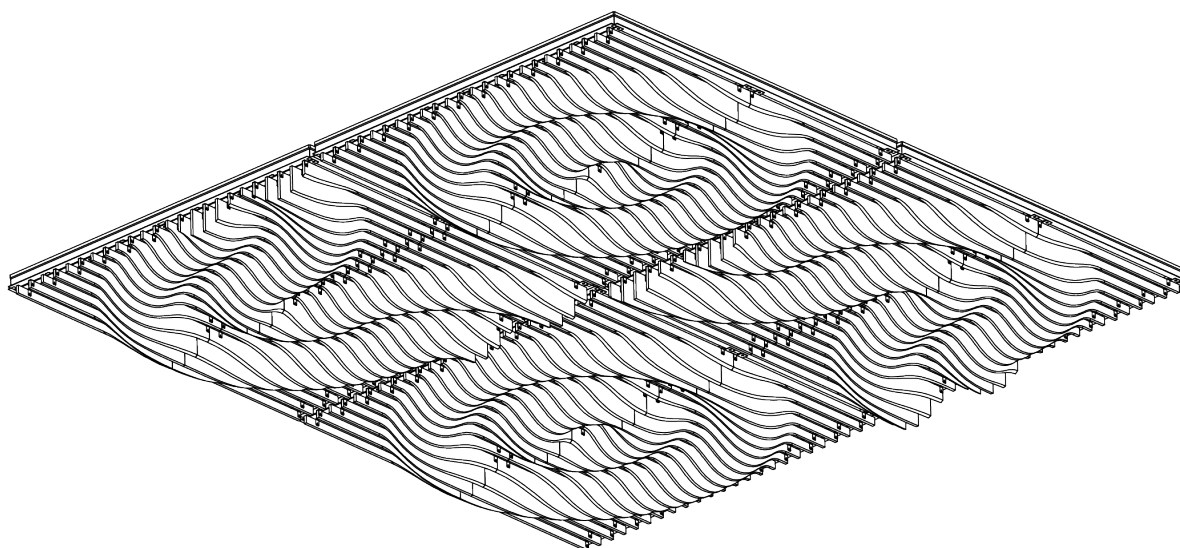
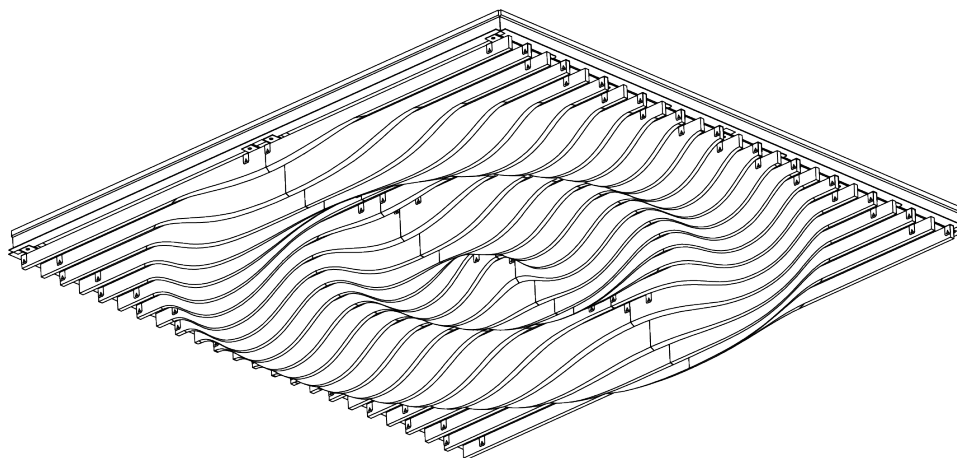
VIBE-NAMI (FINS)

DIMENSIONS & HARDWARE INFO



VIBE-NAMI (FINS)

CEILING LAYOUTS





VIBE-NAMI (SOLID)

Acoustical Ceiling Block Structure

Architectural geometry creates a three-dimensional ceiling application that can snap right into a T-Grid or even be transformed into a suspended installation. VIBE-NAMI (SOLID) is formed into a pleasing wave-like ripple with a hollow cavity for optimal sound absorption. VIBE-NAMI (SOLID) can be used independantly or mixed and matched with with VIBE-NAMI (FINS).

| Application | Ceiling Grid Application | | | |
|-------------------|--------------------------|-----|----|----------|
| | L | W | H | WEIGHT |
| VIBE-NAMI (SOLID) | 24" | 24" | 4" | 1.9 lbs. |

| Hardware | |
|----------|----------------------|
| Default: | Drop Ceiling: Magnet |

| Material Content | 9 mm 100% PET (55% recycled content) |
|------------------|--------------------------------------|
| | |

| Fire Rating | Class A per ASTM E-84, based on 9mm white |
|-------------|---|
| | |

Acoustics

| Frequency (Hz) | 250 | 500 | 1K | 2K | NRC |
|---------------------------|------|------|------|------|------|
| NRC | 0.50 | 0.97 | 1.07 | 1.07 | 0.95 |
| Sabins per m ² | 3.96 | 6.48 | 7.16 | 7.15 | |

Test was conducted while product was in its actual installation setting

All NRC testings assumes one face/one object and does not account for the product thickness

| Environment | Low VOC; Post-Consumer Recycled Content 100% Recyclable |
|-------------|---|
| | |

Installation

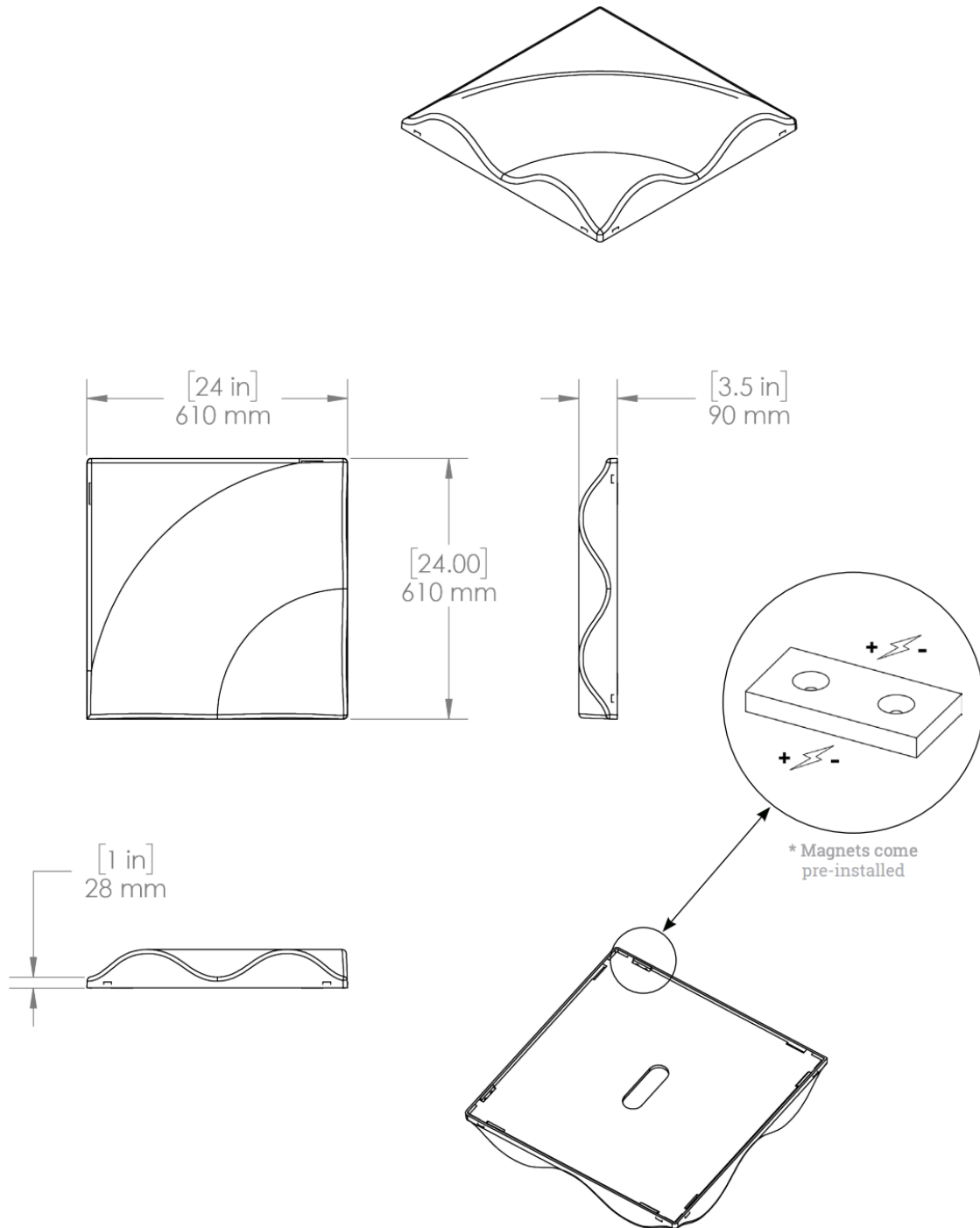
VIBE-NAMI (SOLID) comes fully constructed with magnetic backings for simple and fast installation to existing T-Grid ceiling. Custom installing may be requested for other ceiling types.

| Country of Origin | USA |
|-------------------|-----|
| | |

| Warranty | 2 Years |
|----------|---------|
| | |

VIBE-NAMI (SOLID)

DIMENSIONS



VIBE-NAMI (SOLID)

CEILING LAYOUTS

