



TRIANGLE

Fräsch was founded on the belief that creating healthy and beautiful office environments leads to a happier and highly motivated workforce.



TRIANGLE

Acoustical Wall Tile

Simple triangle geometric patterns formed by sound-absorbing panels, for any environment. Each individual triangle-shaped panel aligns tightly to the next to form the overall shape. Triangle acoustic panels are customizable with a range of colors.

Easily glues directly to the wall, and each TRIANGLE is easily cut to accommodate wall size.

Application	Wall			
	L	W	H	WEIGHT
TRIANGLE	13.5"	0.35"	12"	.21 lbs.
TRIANGLE [SET OF 48]	54"	0.35"	40.5"	10 lbs.

Custom sizing available

Hardware

Default: Roberts 3095 Carpet Adhesive, Heavy Duty Liquid Nail

Material Content 9 mm 100% PET (55% recycled content)

Fire Rating Class A per ASTM E-84, based on 9mm white

Acoustics

Frequency (Hz)	250	500	1K	2K	NRC
NRC	0.04	0.16	0.40	0.63	0.30
Sabins per m ²	0.27	1.07	2.71	4.18	

Test was conducted while product was in its actual installation setting

All NRC testings assumes one face/one object and does not account for the product thickness

Environment

Low VOC;
Post-Consumer Recycled Content
100% Recyclable

Installation

Simply glue one TRIANGLE at a time; TRIANGLE easily cuts to fit your wall space. Another alternative is to lay out your space and mount the Impaler Clip to the wall with sheetrock screws and press TRIANGLE to secure it to the wall.

Country of Origin

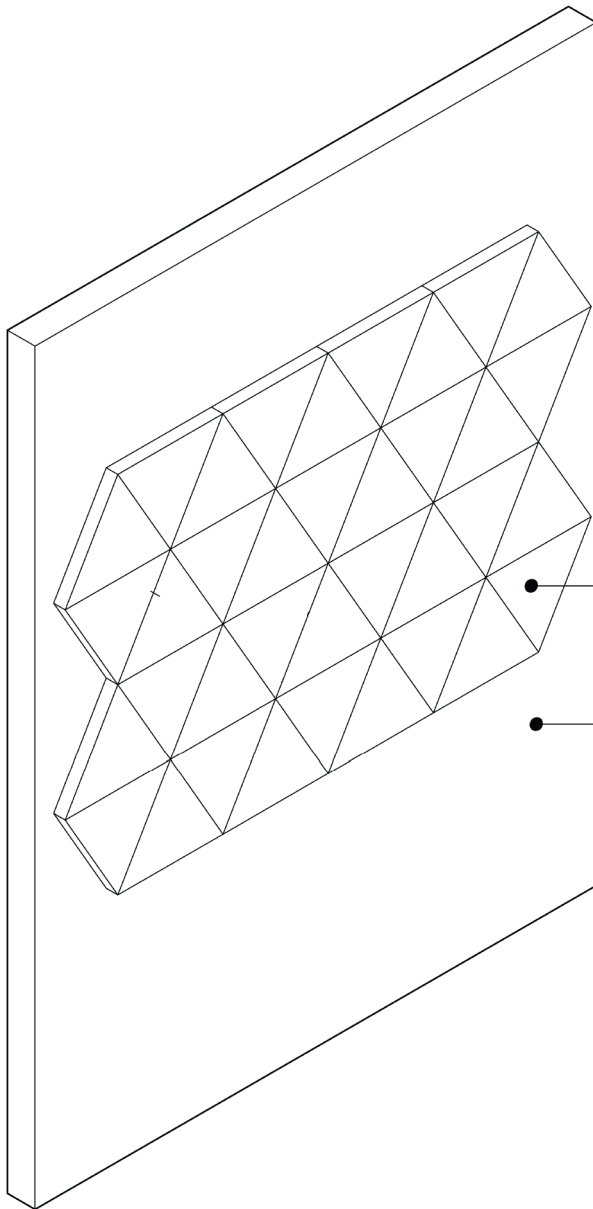
USA

Warranty

2 Years

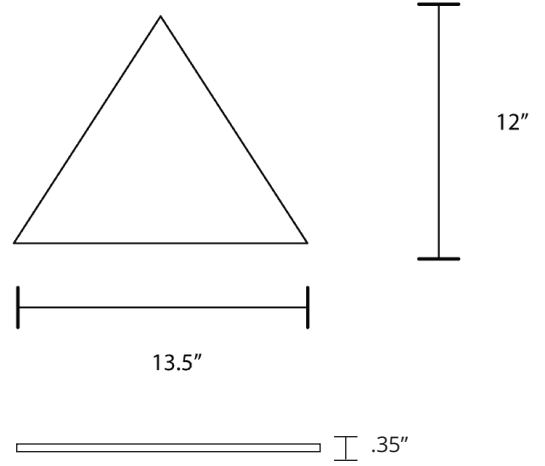
TRIANGLE

AVAILABLE DIMENSIONS



● Triangle Tile

● Wall Surface

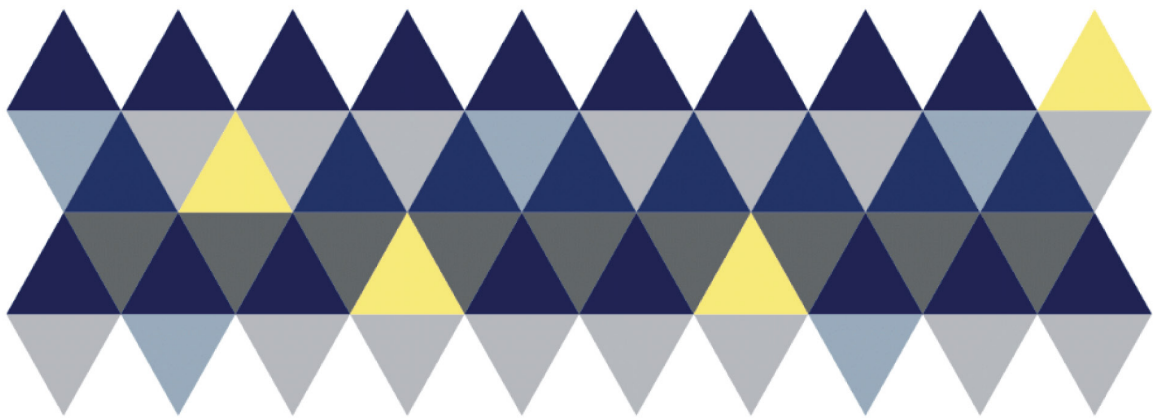


TRIANGLE

SUGGESTED ARRANGEMENTS



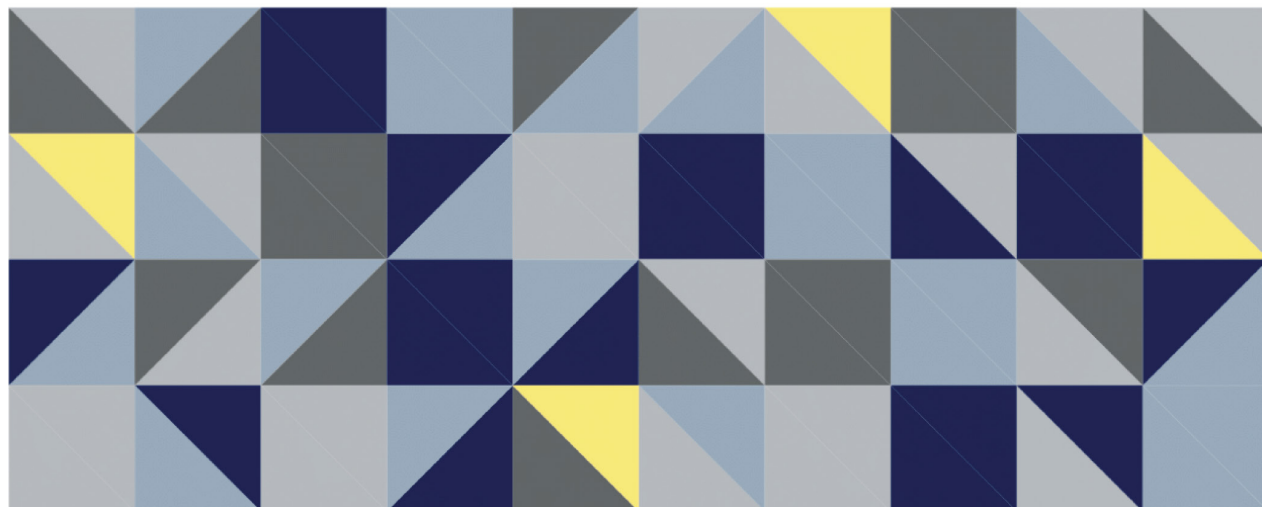
Pattern 1



Pattern 2

TRIANGLE

SUGGESTED ARRANGEMENTS



Pattern 3