



TIMBER GLOW

Fräsch was founded on the belief that creating healthy and beautiful office environments leads to a happier and highly motivated workforce.



TIMBER GLOW

Acoustical Light Fixture

TIMBER GLOW arranges fins of PET around a tube lighting fixture for a unique aesthetic that provides both ample lighting and acoustical performance. The suspended LED lighting system provides an attractive alternative to traditional fluorescent lighting, providing an adequate light source for larger spaces with an aesthetically pleasing acoustical roof.

Application Ceiling Suspended

Sizes:

See page below for size options

Hardware

Default: Canopy hardware provided

Material Content 9 mm 100% PET (55% recycled content)

Fire Rating Class A per ASTM E-84, based on 9mm white

Acoustics

Frequency (Hz)	250	500	1K	2K	NRC
NRC	0.04	0.16	0.40	0.63	0.75
Sabins per m ²)	0.27	1.07	2.71	4.18	

Test was conducted while product was in its actual installation setting

All NRC testings assumes one face/one object and does not account for the product thickness

Environment

Low VOC;
Post-Consumer Recycled Content
100% Recyclable

Installation

TIMBER GLOW can easily be assembled with the canopy hardware provided.

Country of Origin

USA

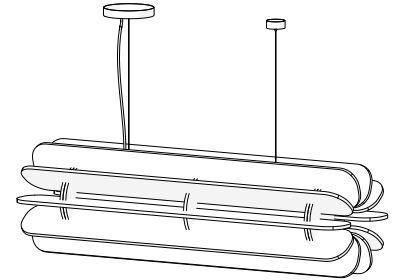
Warranty

2 Years

TIMBER GLOW

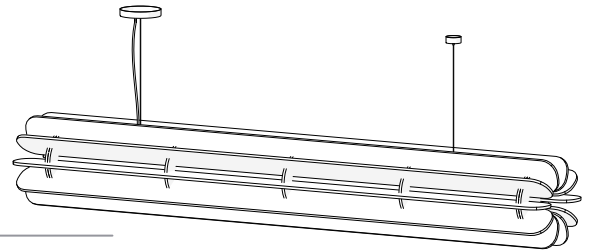
LIGHT SPECIFICATIONS

MEDIUM



ITEM NUMBER	DIAMETER	LENGTH	VOLTAGE	LUMEN	WATTAGE	TEMPERATURE	DIMMING CAPABILITY	WIRING CABLE LENGTH	BODY COLOR
LGT-TUBH-2.36DX30.16L-WH	2.36"	30.16"	AC120-277V	105 LM/W	25	4000K	0-10V	5'	WHITE

LARGE

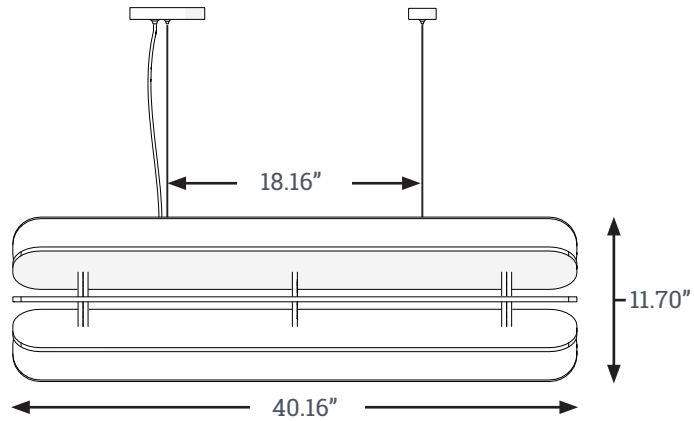
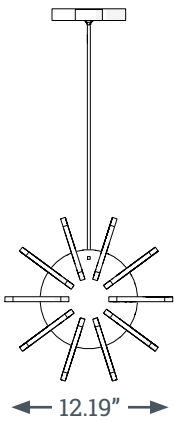
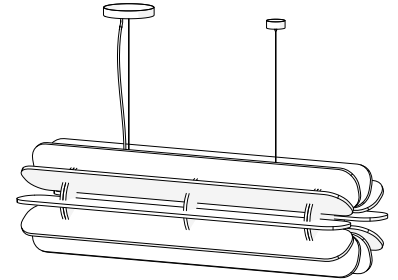


ITEM NUMBER	DIAMETER	LENGTH	VOLTAGE	LUMEN	WATTAGE	TEMPERATURE	DIMMING CAPABILITY	WIRING CABLE LENGTH	BODY COLOR
LGT-TUBH-2.36DX71.46L-WH	2.36"	71.46"	AC120-277V	105 LM/W	60	4000K	0-10V	5'	WHITE

TIMBER GLOW

AVAILABLE DIMENSIONS

MEDIUM



LARGE

