



## TEARDROP LIGHT

Fräsch was founded on the belief that creating healthy and beautiful office environments leads to a happier and highly motivated workforce.



# TEARDROP LIGHT

## Acoustical Ceiling Light

Frasch Teardrop is a family of drum light fixtures and ceiling baffle shaped and inspired by the human eye. The tapered design incorporates a unique manufacturing process that allows for curved PET panels to form acoustical performing hollow cavities while also providing the structural support for the built-in round LED disc light fixture. The lighting options allow for up lit, down lit, and backlit through a cut-in patterned design. Teardrop fixtures can also clustered together to form various shapes and patterns with flexible two point hanging allowing for ease and flexibility of the final creative installation.

Application	Ceiling Suspended			
	L	W	H	WEIGHT
TEARDROP 7IN	19"	10"	18"	2.10 lbs.
TEARDROP 11IN	26"	14"	18"	3.30 lbs.
TEARDROP 15IN	34"	18"	18"	4.50 lbs.
TEARDROP 24IN	58"	29.5"	24"	7.20 lbs.

\* Custom sizing available

### Hardware

Default: Aircraft Cable/Threaded Rod, Coupler Nut, Griplock, Hanger Bolt

\* Unistrut: Unistrut, Cone Nut Assembly, Threaded Rod/Aircraft Cable, Coupler Nut, Griplock

(\*) - Upon Request

**Material Content** 9 mm 100% PET (55% recycled content)

**Fire Rating** Class A per ASTM E-84, based on 9mm white

### Acoustics

Frequency (Hz)	250	500	1K	2K	NRC
NRC	0.74	1.06	1.54	1.77	1.30
Sabins per m <sup>2</sup>	11.24	16.21	23.43	27.08	

\* Test was conducted while product was in its actual installation setting

\* All NRC testings assumes one face/one object and does not account for the product thickness

### Environment

Low VOC;  
Post-Consumer Recycled Content  
100% Recyclable

### Installation

Teardrop Light comes with easy and flexible hanging options. Threaded Rod/Aircraft Cable, Coupler Nut, Hanger Bolt, Sputnik and Jointed Griplock are included. The ceiling fastener is provided by an installer.

### Country of Origin

USA

### Warranty

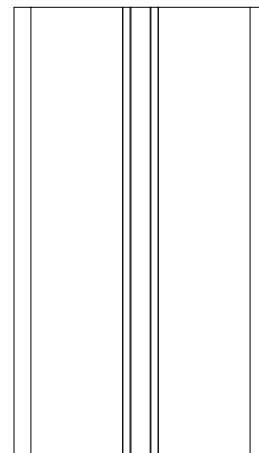
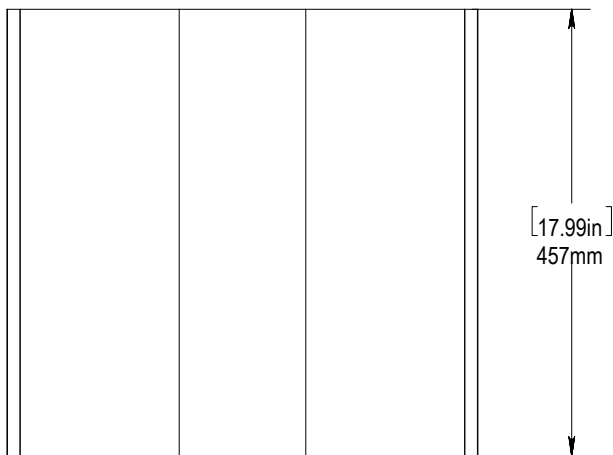
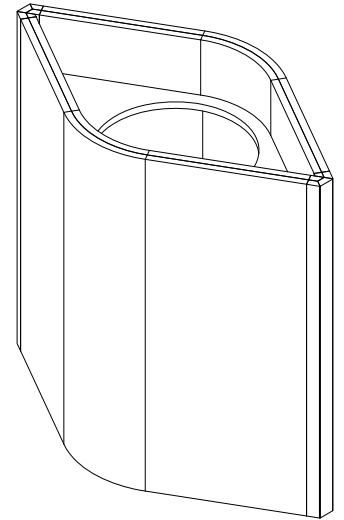
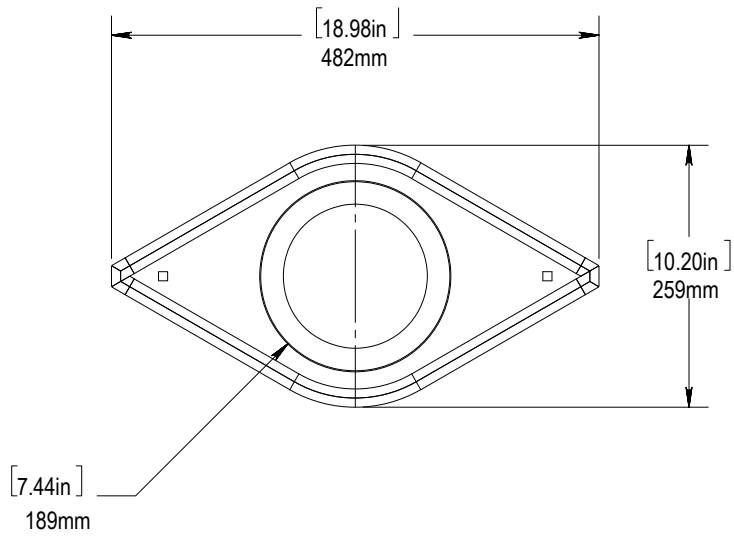
2 Years

**fräsch!**

08.2025

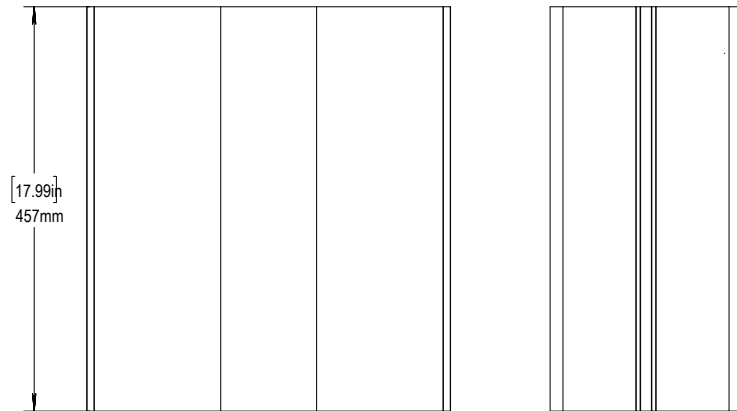
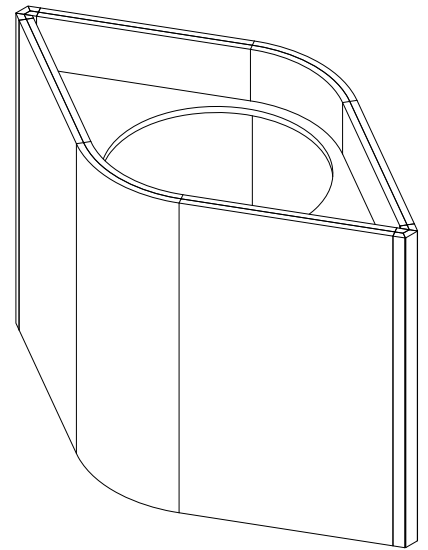
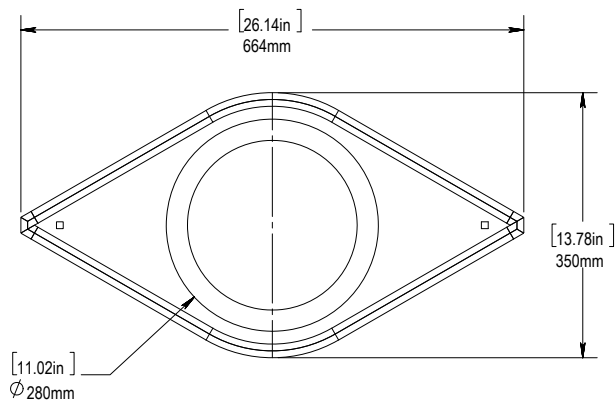
## TEARDROP LIGHT (7IN)

### DIMENSIONS



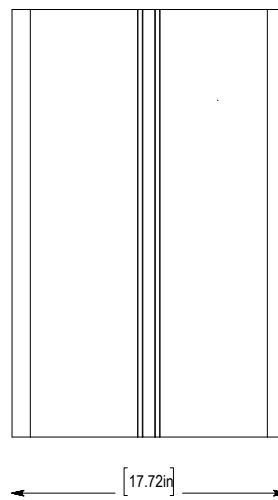
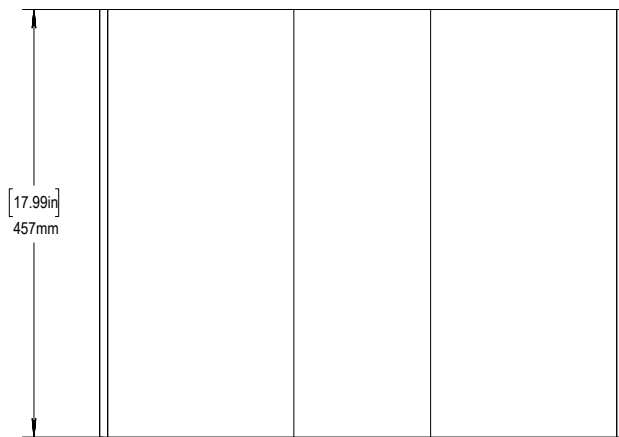
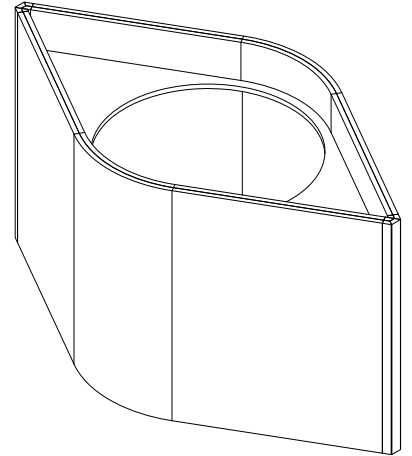
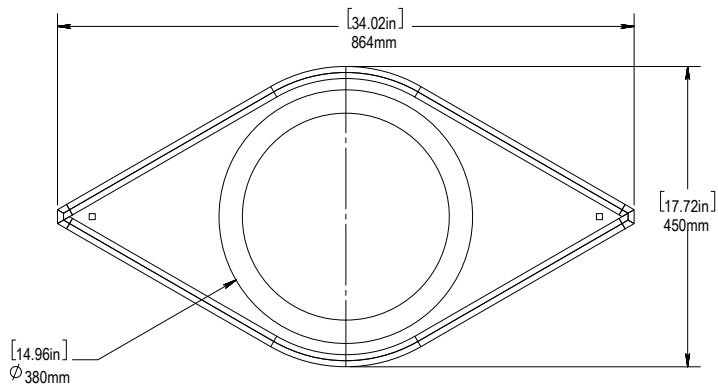
# TEARDROP LIGHT (11IN)

## DIMENSIONS



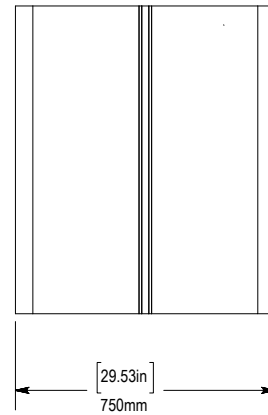
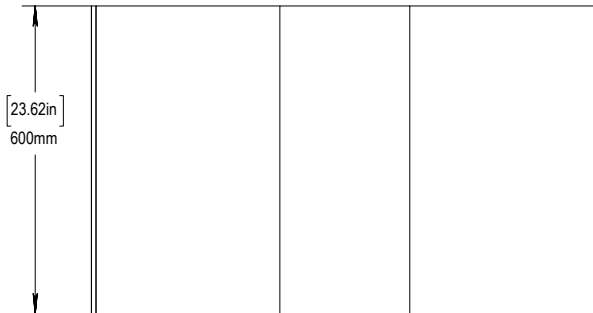
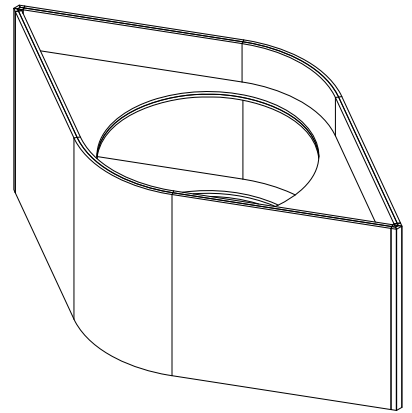
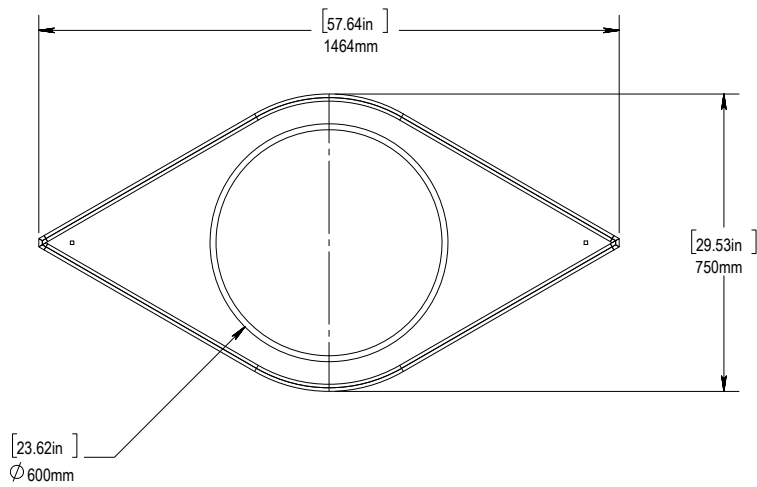
## TEARDROP LIGHT (15IN)

### DIMENSIONS



## TEARDROP LIGHT (24N)

### DIMENSIONS



# TEARDROP LIGHT (24N)

## LIGHTING SPECIFICATIONS

### TEARDROP ACOUSTIC DRUM LED

- Pendant mount
- CRI >80
- >50,000 hrs of L70 LED life
- Rated for dry and damp locations
- 120V ELV/TRIAC Dimming
- Power factor >0.90

Dimensions	Gear	Wattage	Driver	CCT	Mount	Configuration
11"W x 19" L	L	<b>D15</b> 15 Watts 1000 Lumens	<b>D120</b> 120V/ELV/ Triac Dimmable	<b>30K</b> 3000K >80CRI	<b>P</b>	<b>C</b> Center Light Only
14"W x 27" L		<b>D28</b> 28 Watts 1700 Lumens				
18"W x 34" L		<b>D40</b> 40 Watts 2500 Lumens				

# TEARDROP LIGHT (24N)

## LIGHTING SPECIFICATIONS

### TEARDROP LIGHT

ITEM NUMBER	H	Dia	VOLTAGE	LUMEN	WATTAGE	TEMPERATURE	DIMMING CAPABILITY	WIRING CABLE LENGTH	BODY COLOR
LGT-LED-SM15DL-WT	1.2	15	120V	105 LM/W	40W	3000K	No	None	WHITE