



StratoScape SPARK

Fräsch was founded on the belief that creating healthy and beautiful office environments leads to a happier and highly motivated workforce.



StratoScape SPARK

Suspended Baffle

Introducing Spark, a suspended acoustic cloud from our StratoScape collection, that beautifully unravels the artistry of tranquility.

This exceptional product offers the flexibility to be hung individually or as a collection of modules, creating a captivating array that effortlessly transforms any space into a serene sanctuary.

Application	Suspended Acoustic System
--------------------	---------------------------

Components
87.6in X 67.9in X 11.8in

Hardware

Default:	Convenient Snap together construction
----------	---------------------------------------

Material Content	12 mm 100% PET (55% recycled content)
-------------------------	---------------------------------------

Fire Rating	Class A per ASTM E-84, based on 9mm white
--------------------	---

Acoustics

NRC	0.35	0.54	0.85	1.22	0.75
------------	------	------	------	------	-------------

NRC rating is based on one full sheet of 12mm PET material

Environment

Low VOC;
Post-Consumer Recycled Content
100% Recyclable

Installation

SPARK is suspended from the ceiling.

Country of Origin

USA

Warranty

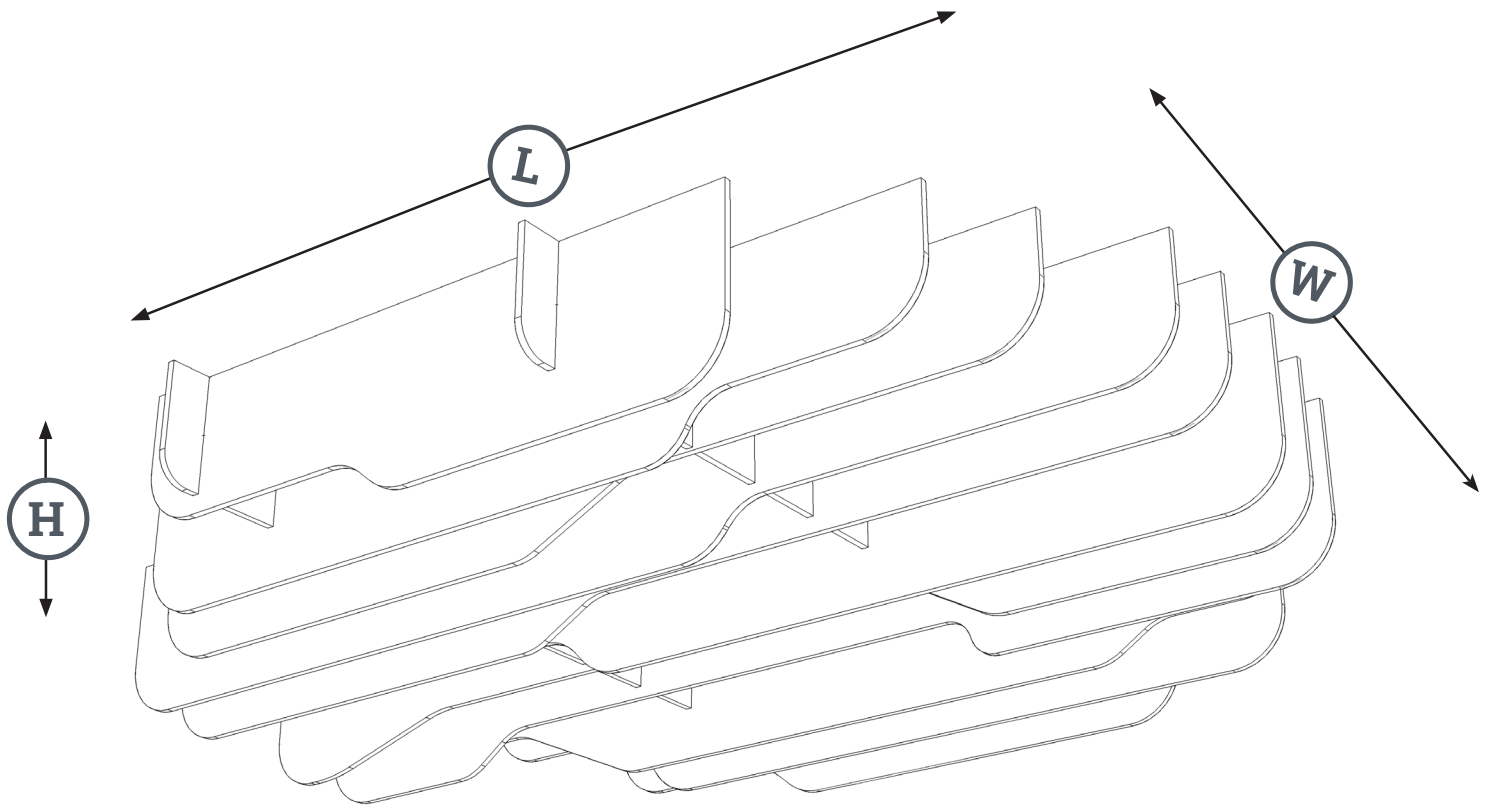
2 Years

Designed by
1six8

fräsch!

SPARK

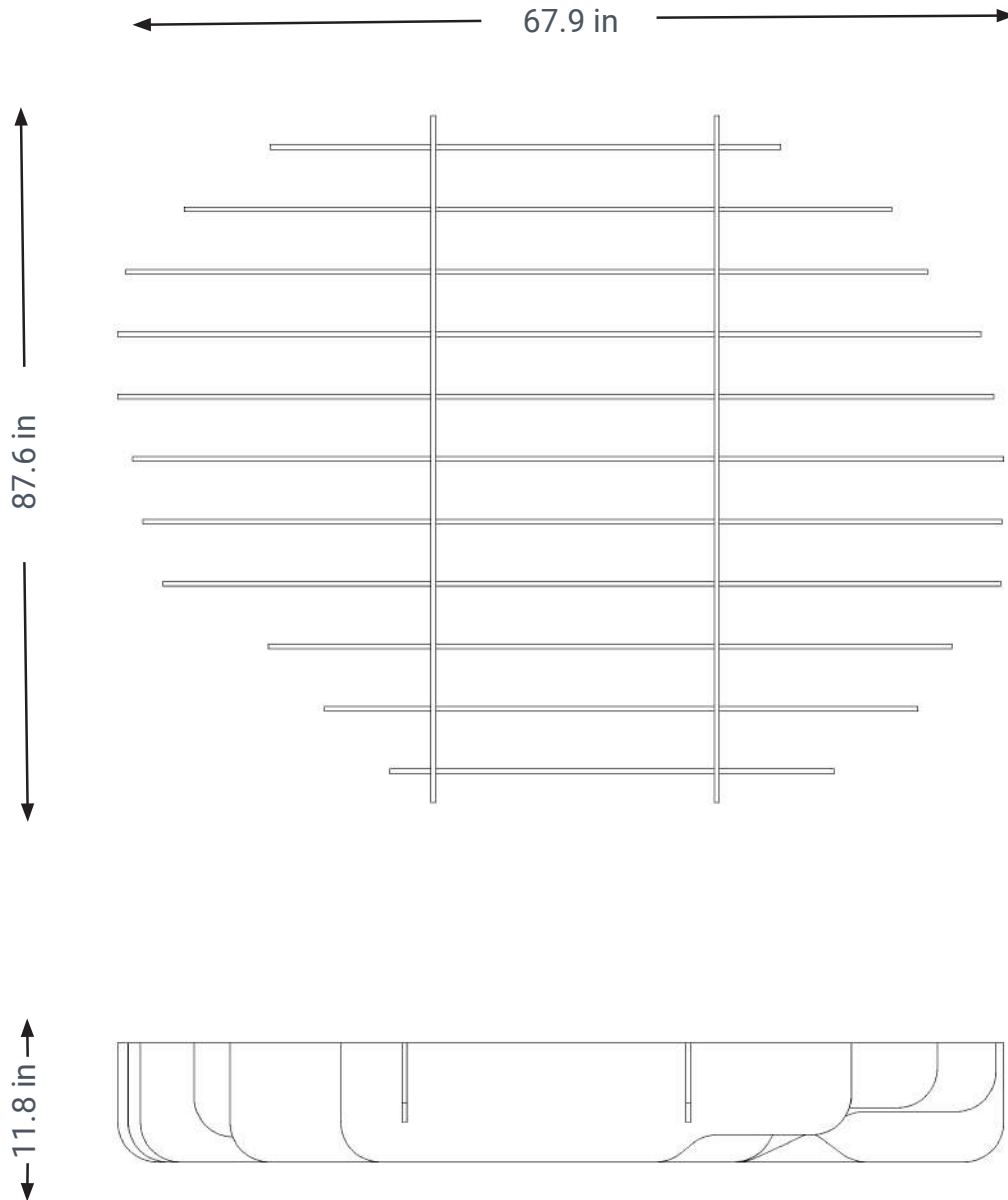
Dimensions



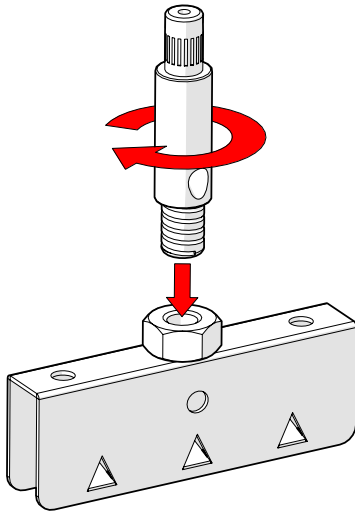
HEIGHT	LENGTH	WIDTH
11.8 in	87.6 in	67.9 in

SPARK

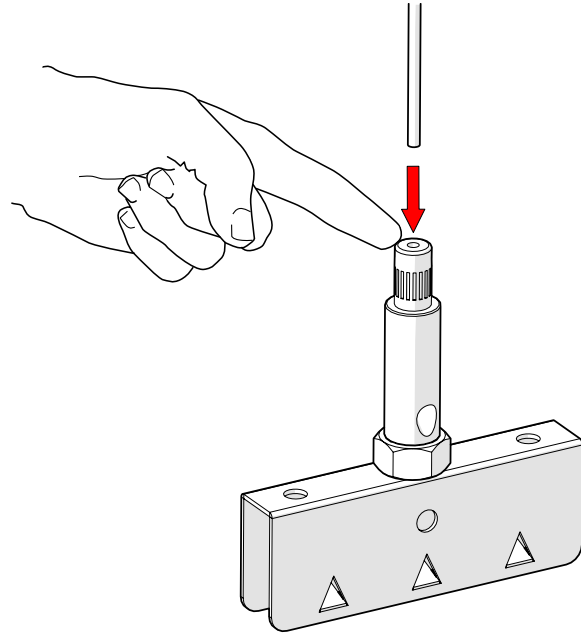
Dimensions



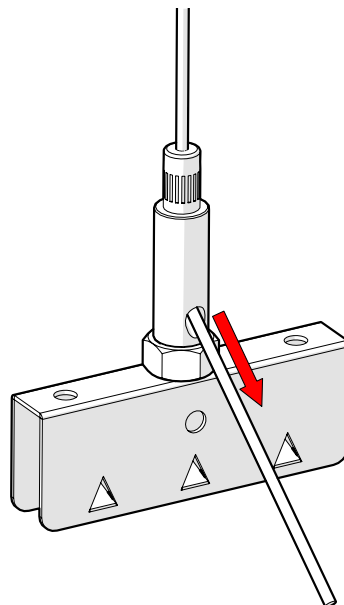
GRIP LOCK/AIRCRAFT CABLE INSTALLATION



A - Screw grip lock into the hex nut welded to the spike bracket.



B - To insert the aircraft cable into the grip lock, press firmly on the nipple while threading the cable through the channel. Release the nipple to lock the cable in place.



Cut any excess cable with wire cutters