



StratoScape SLAB

Fräsch was founded on the belief that creating healthy and beautiful office environments leads to a happier and highly motivated workforce.



StratoScape SLAB

Suspended Baffle

Discover the elegance of Slab, a suspended acoustic parametric square.

Slab's geometric design offers boundless creative possibilities, reducing reverberation while composing stunning visual displays.

Architects and designers can create captivating environments, encompassing the whole ceiling or focusing on single focal areas for acoustic support.

Application Suspended Acoustic System

Components
43.3in X 43.3in X 15.7in

Hardware

Default: Convenient Snap together construction

Material Content 12 mm 100% PET (55% recycled content)

Fire Rating Class A per ASTM E-84, based on 9mm white

Acoustics

NRC 0.35 0.54 0.85 1.22 0.75

NRC rating is based on one full sheet of 12mm PET material

Environment Low VOC;
Post-Consumer Recycled Content
100% Recyclable

Installation

SLAB is suspended from the ceiling.

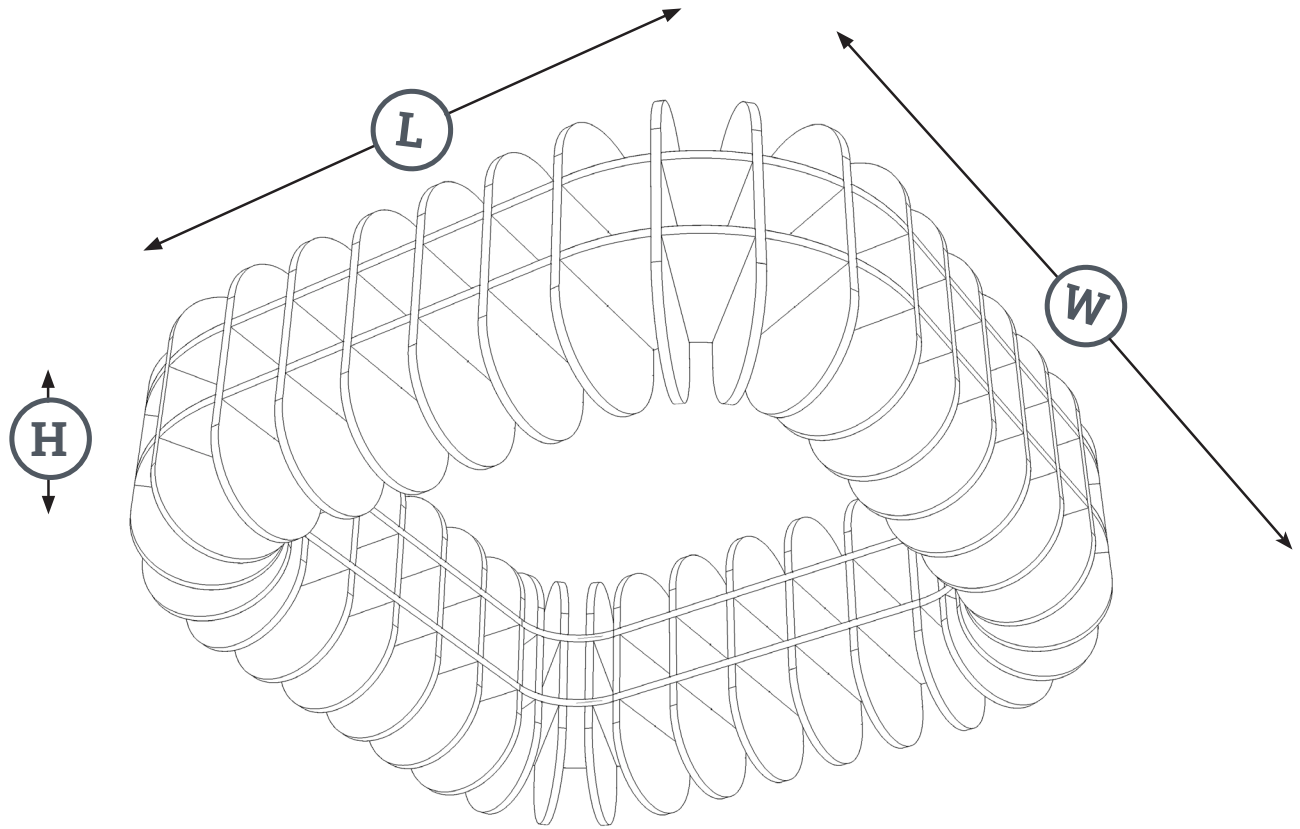
Country of Origin USA

Warranty 2 Years

Designed by
1six8

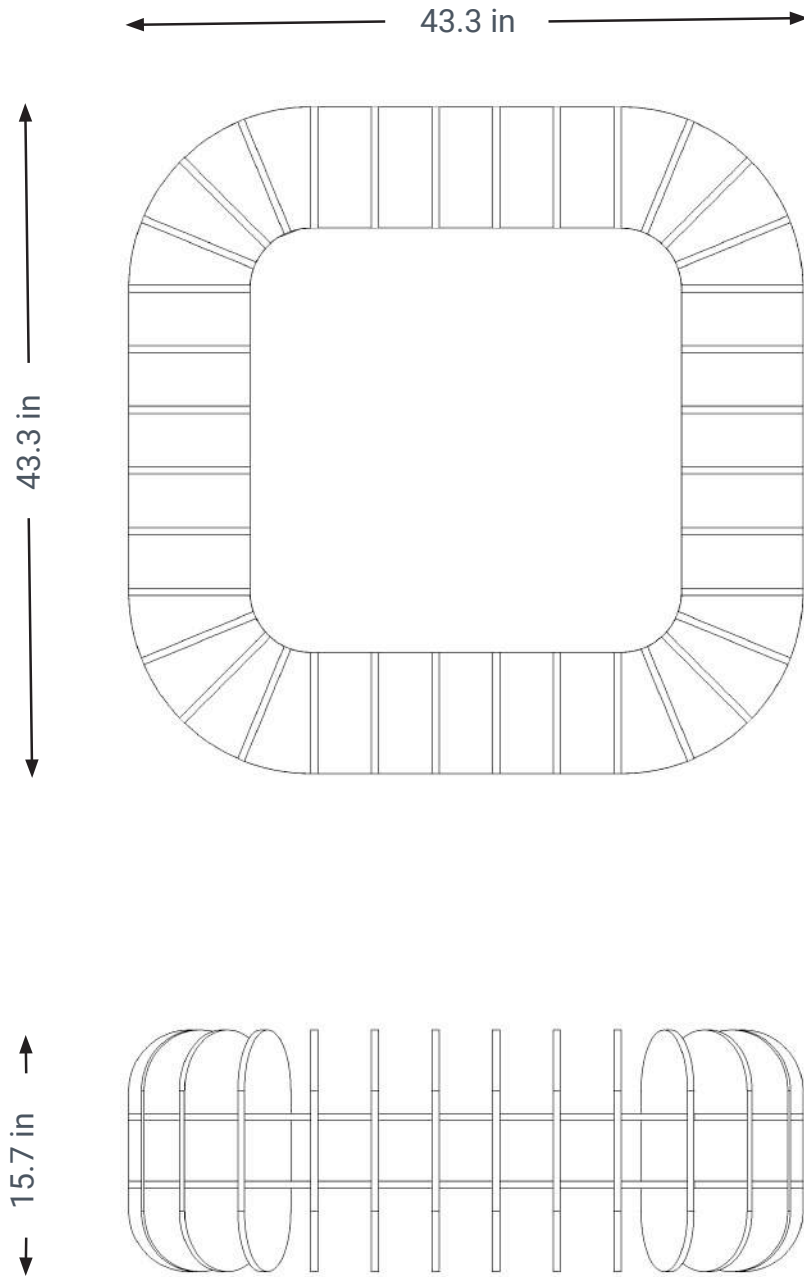
fräsch!

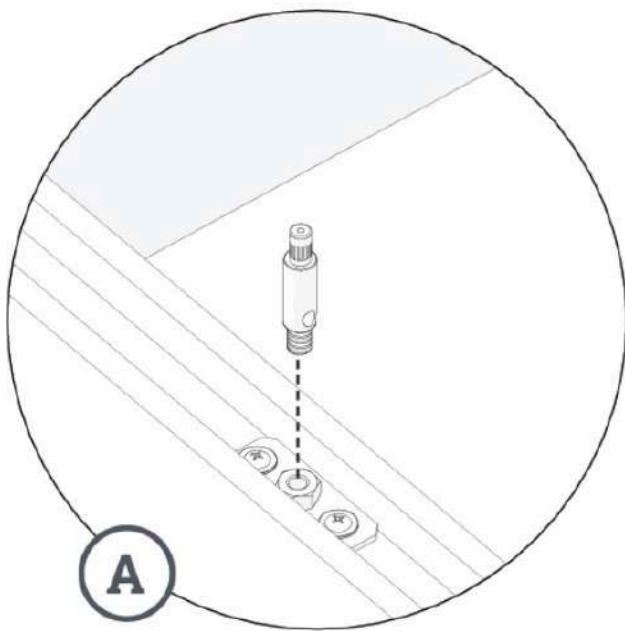
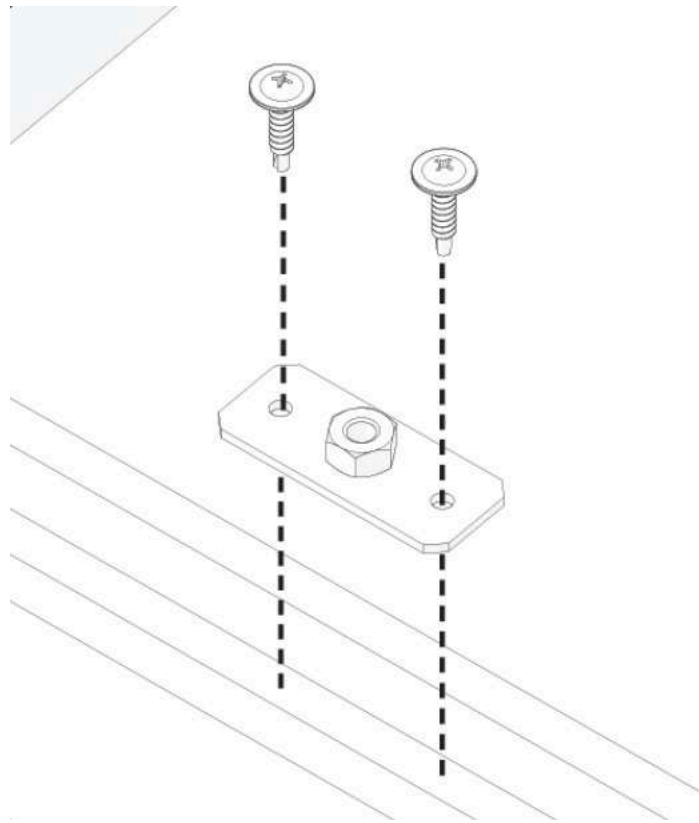
SLAB Dimensions



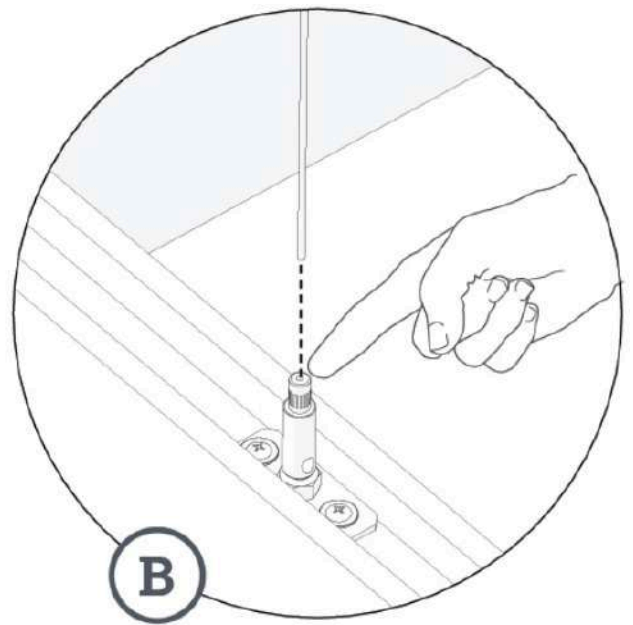
HEIGHT	LENGTH	WIDTH
15.7 in	43.3 in	43.3 in

SLAB Dimensions





A
Screw the Grip Lock into the flat bracket.



B
Press down on the plunger while inserting the cable.