



StratoScape GRID

Fräsch was founded on the belief that creating healthy and beautiful office environments leads to a happier and highly motivated workforce.



StratoScape GRID

Suspended Baffle

Step into the structured symmetry of Grid, a suspended acoustic ceiling raft system from our StratoScape series.

Architects and designers can compose visually captivating spaces, where Grid's structural patterns create a sense of order and purpose.

Application Suspended Acoustic System

Components

86.6in X 86.6in X 11.8in

Hardware

Default:

Convenient Snap
together construction

Material Content 12 mm 100% PET (55% recycled content)

Fire Rating Class A per ASTM E-84, based on 9mm white

Acoustics

NRC 0.35 0.54 0.85 1.22 **0.75**

NRC rating is based on one full sheet of 12mm PET material

Environment Low VOC;
Post-Consumer Recycled Content
100% Recyclable

Installation

GRID is suspended from the ceiling.

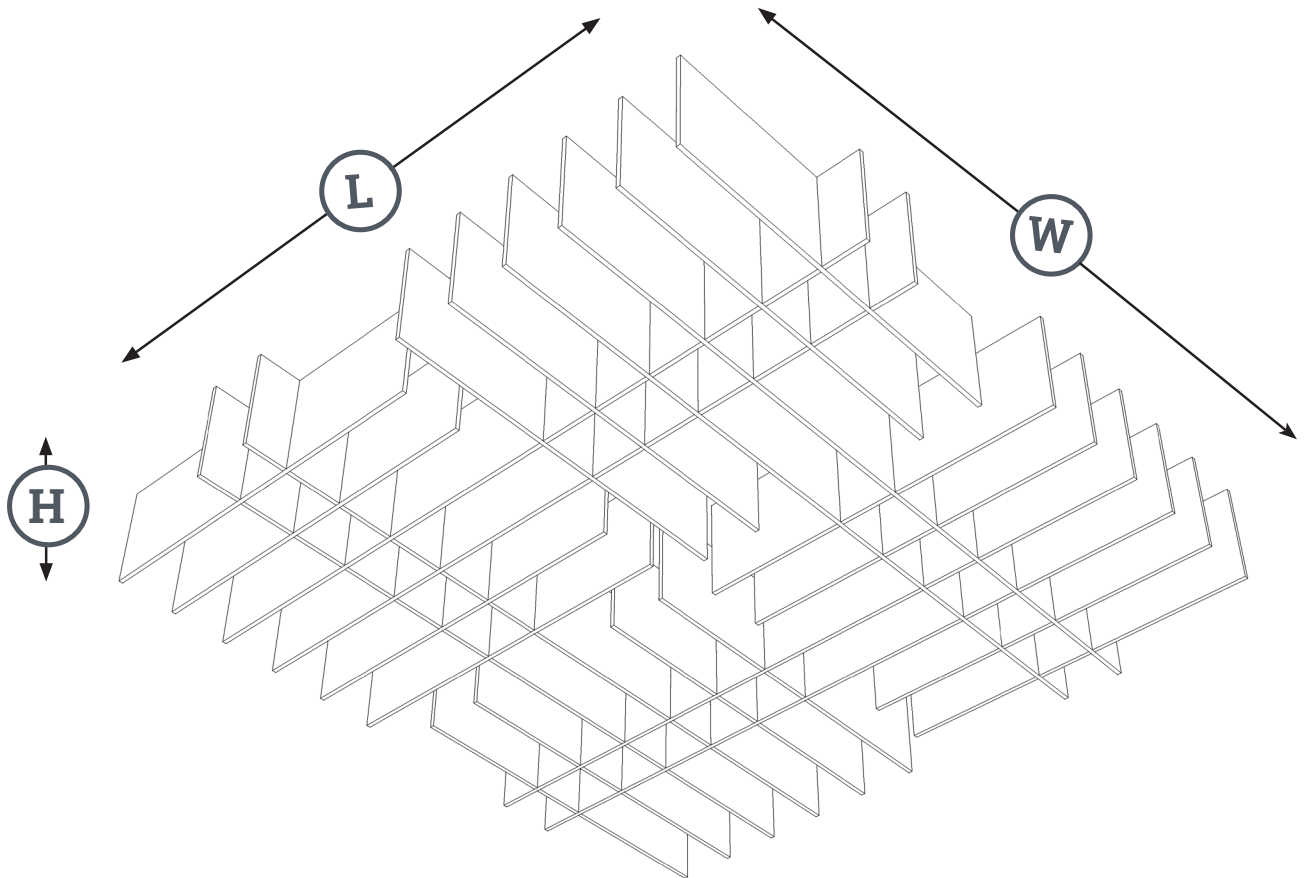
Country of Origin USA

Warranty 2 Years

Designed by
1+six8

fräsch!

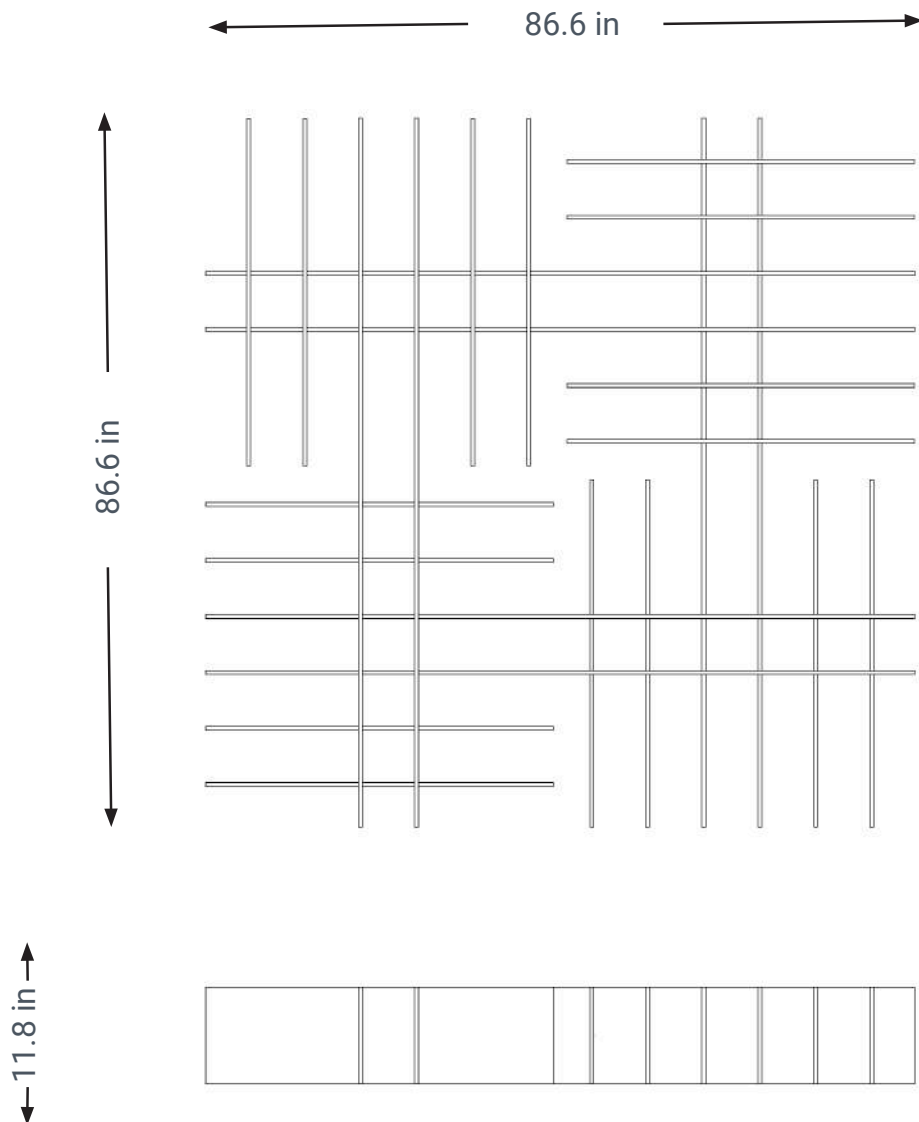
GRID Dimensions



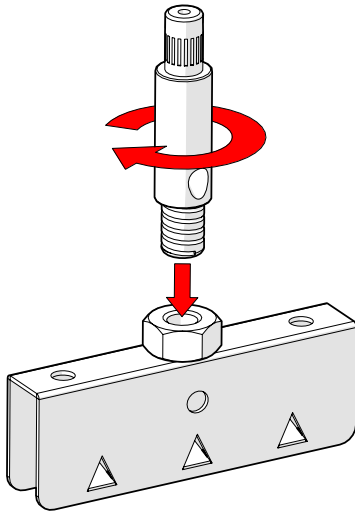
HEIGHT	LENGTH	WIDTH
11.8 in	86.6 in	86.6 in

GRID

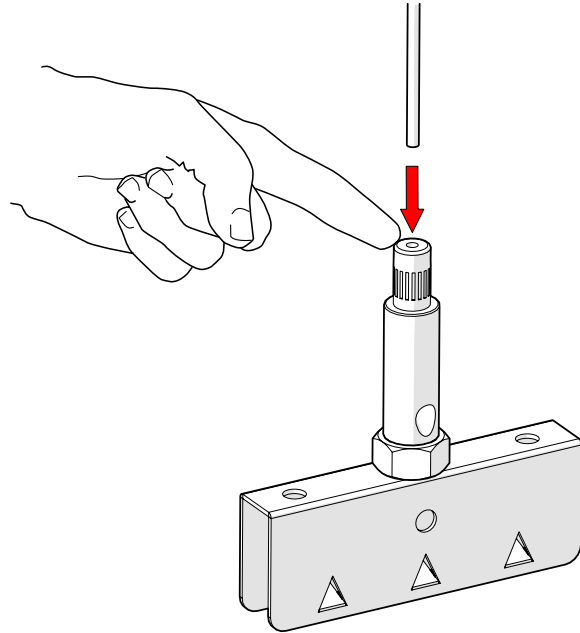
Dimensions



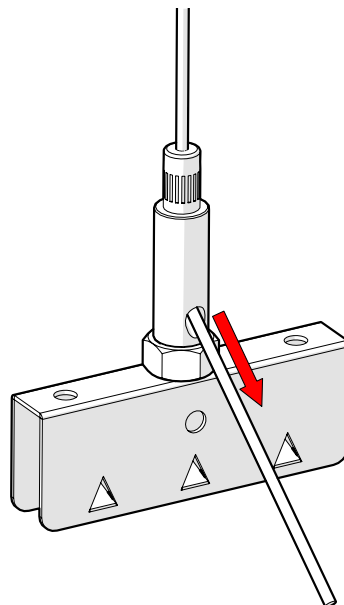
GRIP LOCK/AIRCRAFT CABLE INSTALLATION



A - Screw grip lock into the hex nut welded to the spike bracket.



B - To insert the aircraft cable into the grip lock, press firmly on the nipple while threading the cable through the channel. Release the nipple to lock the cable in place.



Cut any excess cable with wire cutters