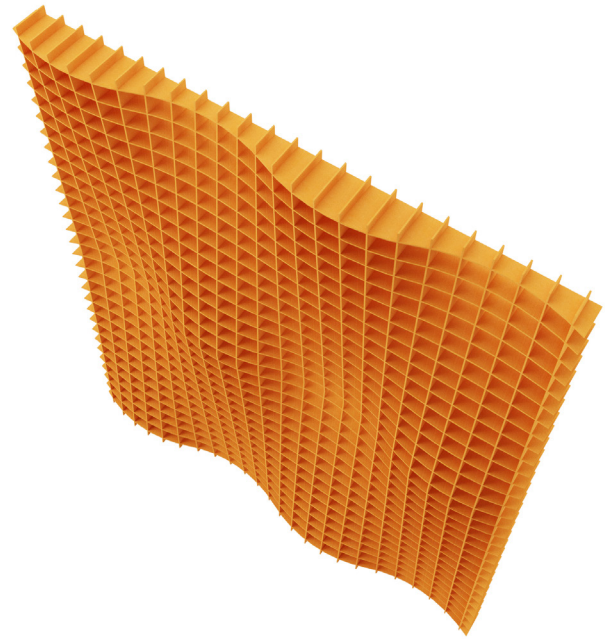




NET

Fräsch was founded on the belief that creating healthy and beautiful office environments leads to a happier and highly motivated workforce.



NET

Acoustical Ceiling Net

NET's undulating, grid design creates a contemporary aesthetic to any space. Can be a standalone piece or positioned into one larger suspension installation that also carries optimal sound absorbing qualities.

Application Ceiling Suspended

Dimensions	L	W	H	WEIGHT
	48"	48"	12"	16.5 lbs.

Hardware

Default: 4-way Bracket, Straight-way Bracket, Griplock, Aircraft Cable/Threaded Rod

Unistrut*: Unistrut, Cone Nut Assembly, Threaded Rod/Aircraft Cable, Coupler Nut, Griplock

* Available Upon Request

Material Content 9 mm 100% PET (55% recycled content)

Fire Rating Class A per ASTM E-84, based on 9mm white

Acoustics

Frequency (Hz)	250	500	1K	2K	NRC
NRC	0.74	1.02	1.37	1.87	1.25
Sabins per m ²	11.31	15.60	21.20	28.71	

Test was conducted while product was in its actual installation setting.

All NRC testings assumes one face/one object and does not account for the product thickness.

Environment

Low VOC;
Post-Consumer Recycled Content
100% Recyclable

Installation

The NET comes with special 4-way brackets for stability and easy connectivity. Aircraft Cables and Griplocks are included. The ceiling fastener is provided by an installer.

Country of Origin

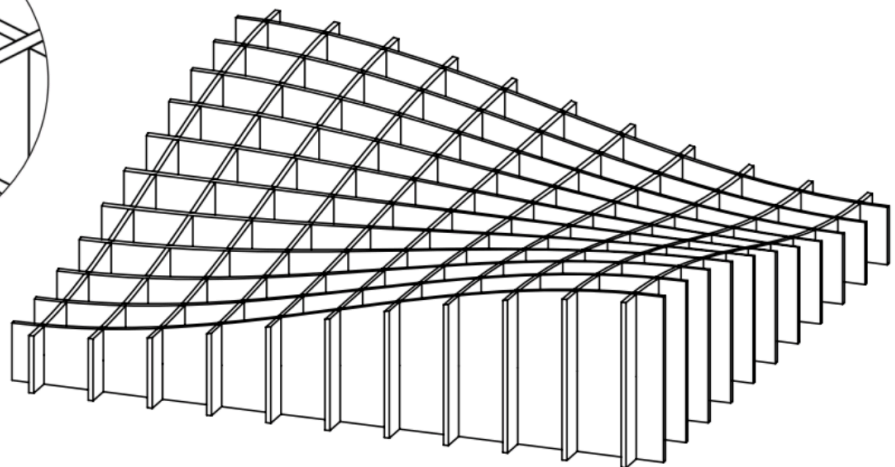
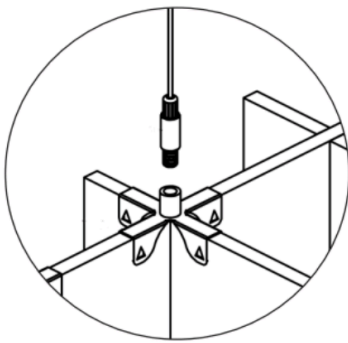
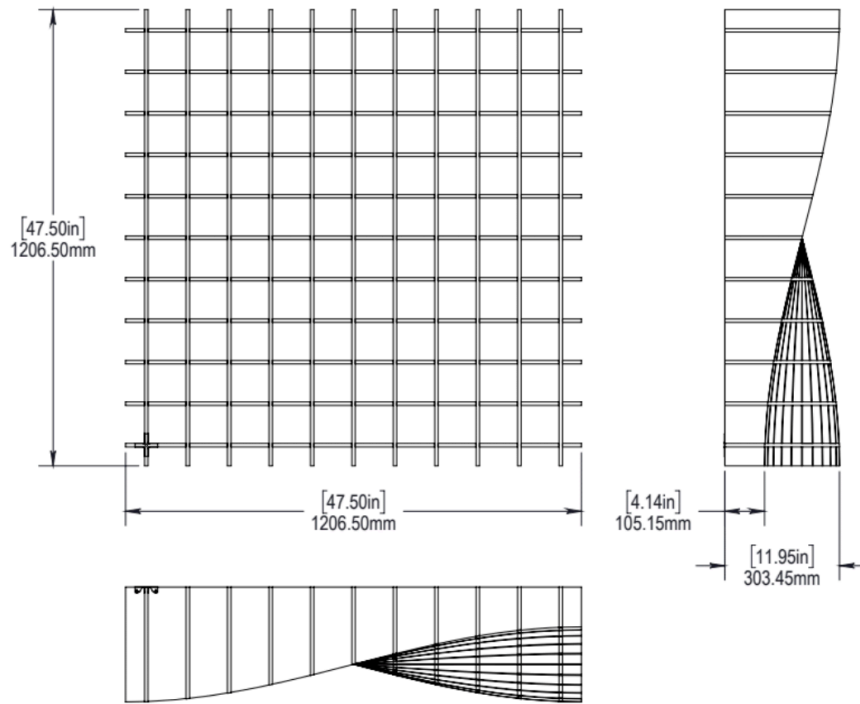
USA

Warranty

2 Years

NET

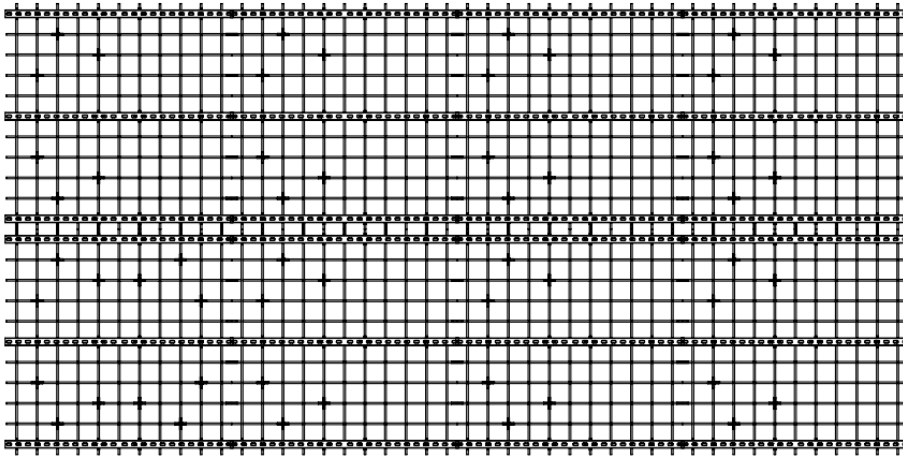
DIMENSIONS



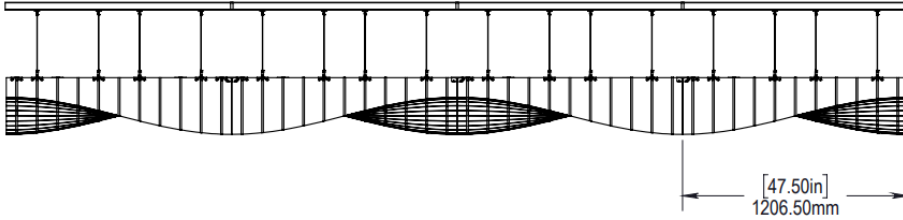
NET

DIMENSIONS - 11 QUADRANTS

This is a typical arrangement.



Unistrut provided by others or available upon request.



9mm straight bracket only needed when joining two nets together.

