



LINYFELT 8L

Fräsch was founded on the belief that creating healthy and beautiful office environments leads to a happier and highly motivated workforce.



LINYFELT 8L

Acoustical Open-ended Ceiling Hangers

Discover the epitome of clean lines with LINYFELT 8L. Mix alternating heights, lengths and colors for that perfect aesthetic. Uniform heights can be used for a streamlined look. Also snaps into any Unistrut for straightforward, easy installation. Lengths can be field-modified to custom lengths.

Application	Ceiling Suspended			
	L	W	H	WEIGHT
LINYFELT 2 in	96.0"	24"	2.25"	1.0 lbs.
	24.0"	24"	2.25"	.25 lbs.
LINYFELT 3 in	96.0"	24"	3.25"	1.4 lbs.
	24.0"	24"	3.25"	.35 lbs.
LINYFELT 4 in	96.0"	24"	4"	1.7 lbs.
	24.0"	24"	4"	.425 lbs.
LINYFELT 5 in	96.0"	24"	5"	2.1 lbs.
	24.0"	24"	5"	.525 lbs.

* Lengths can field-modified

Hardware

Default:	Aircraft Cable/Threaded Rod, Coupler Nut, Griplock, Hanger Bolt
Unistrut*:	Unistrut, Cone Nut Assembly, Threaded Rod/Aircraft Cable, Coupler Nut, Griplock
Drop Ceiling*:	T-Bar Clip/Magnet, Coupler Nut, Hanger Bolt, Spike Bracket

* Available Upon Request

Material Content 9 mm 100% PET (55% recycled content)

Fire Rating Class A per ASTM E-84, based on 9mm white

Acoustics - 2 inch no backer (Unistrut)

Frequency (Hz)	250	500	1K	2K	NRC
NRC	0.16	0.43	0.76	1.05	0.60
Sabins per m ²	11.48	31.35	55.55	76.55	

Acoustics - 5 inch no backer (Unistrut)

Frequency (Hz)	250	500	1K	2K	NRC
NRC	0.35	0.80	1.21	1.63	1.00
Sabins per m ²	24.87	56.75	85.63	115.66	

Test was conducted while product was in its actual installation setting.

All NRC testings assumes one face/one object and does not account for the product thickness.

Environment

Low VOC;
Post-Consumer Recycled Content
100% Recyclable

Installation

LINYFELT 8L comes with 8ft long pre-assembled U-channel structures that easily install onto our custom designer Spike Brackets (patent pending). Hardware includes Spike Brackets and Bracket Joiner. The ceiling fastener is provided by an installer based on ceiling type.

Country of Origin

USA

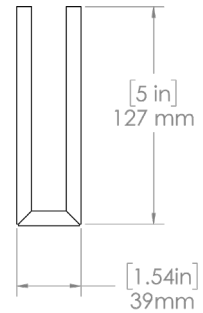
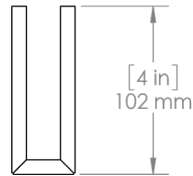
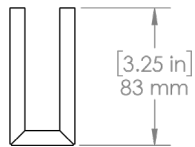
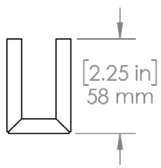
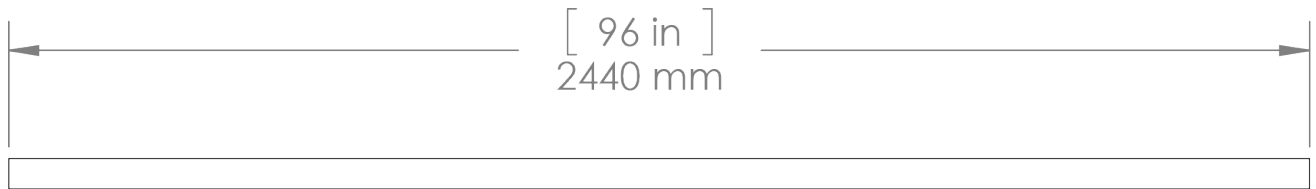
Warranty

2 Years

fräsch!

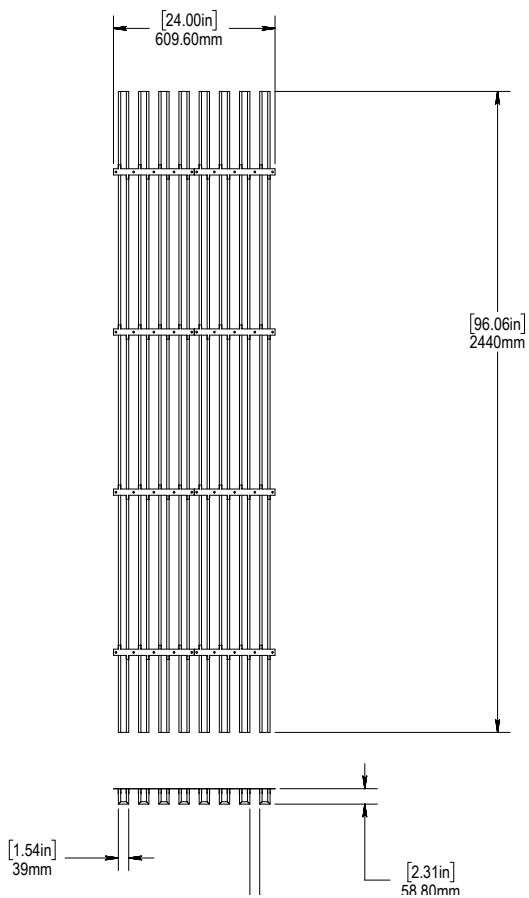
LINYFELT 8L

AVAILABLE DIMENSIONS

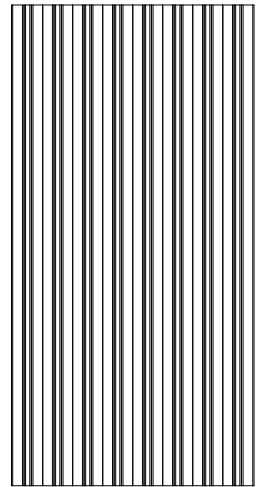
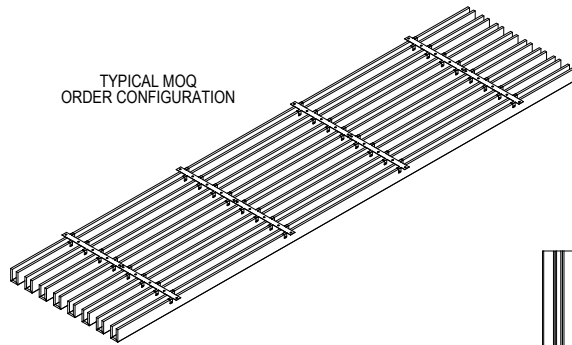


LINYFELT 8L

AVAILABLE DIMENSIONS

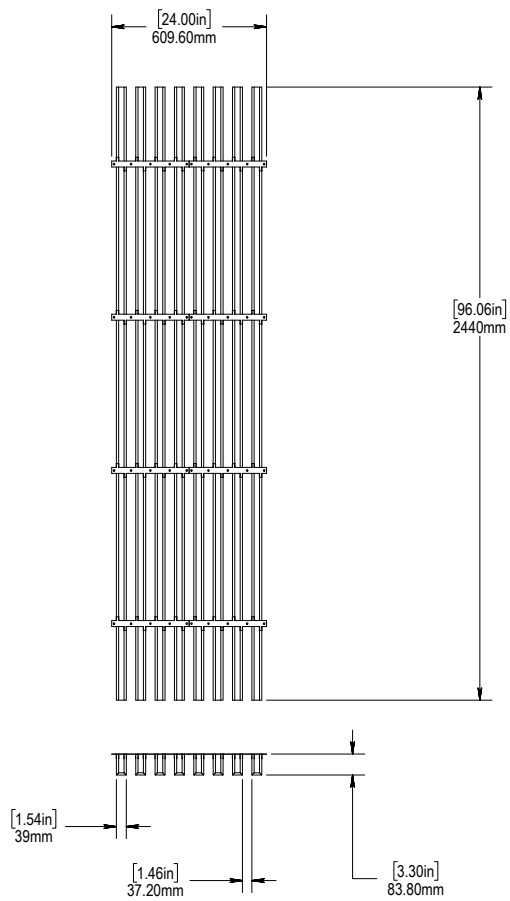


TYPICAL MOQ ORDER CONFIGURATION

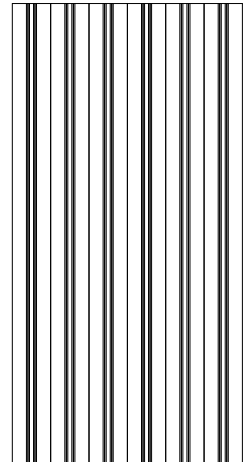
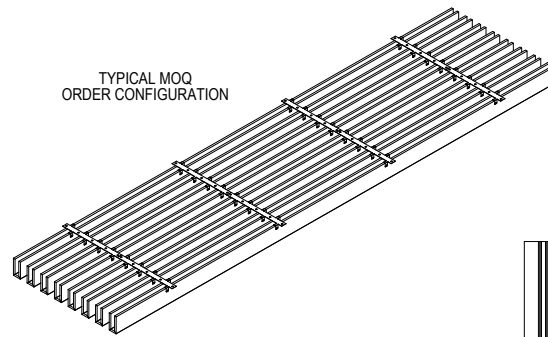


LINYFELT 8L

AVAILABLE DIMENSIONS



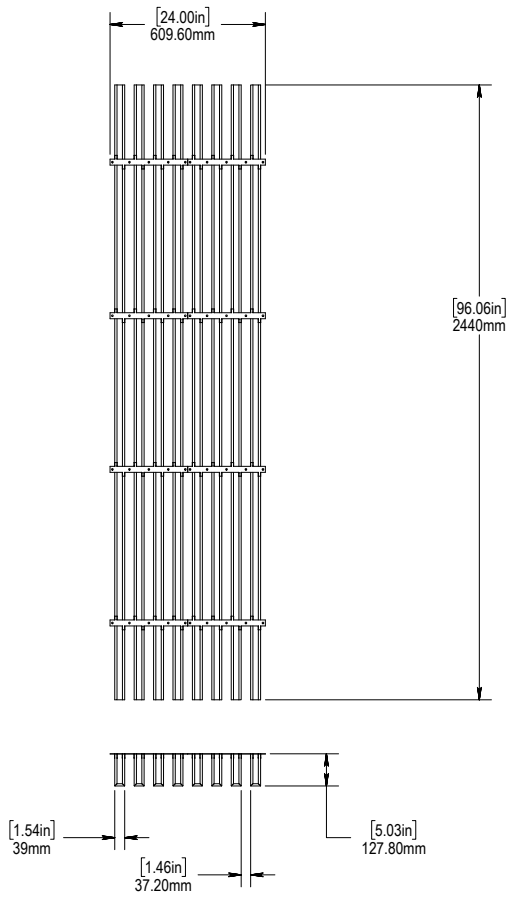
TYPICAL MOQ ORDER CONFIGURATION



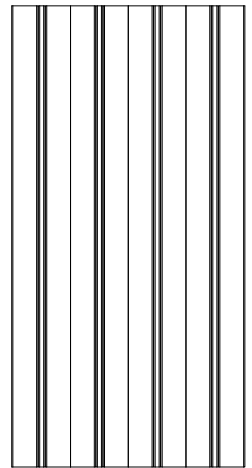
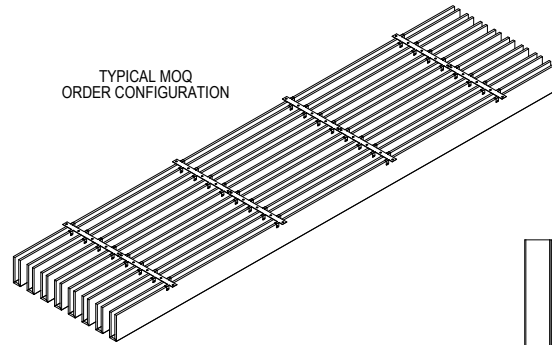
2H CUT SHEET (6PCS PER SHEET)

LINYFELT 8L

AVAILABLE DIMENSIONS



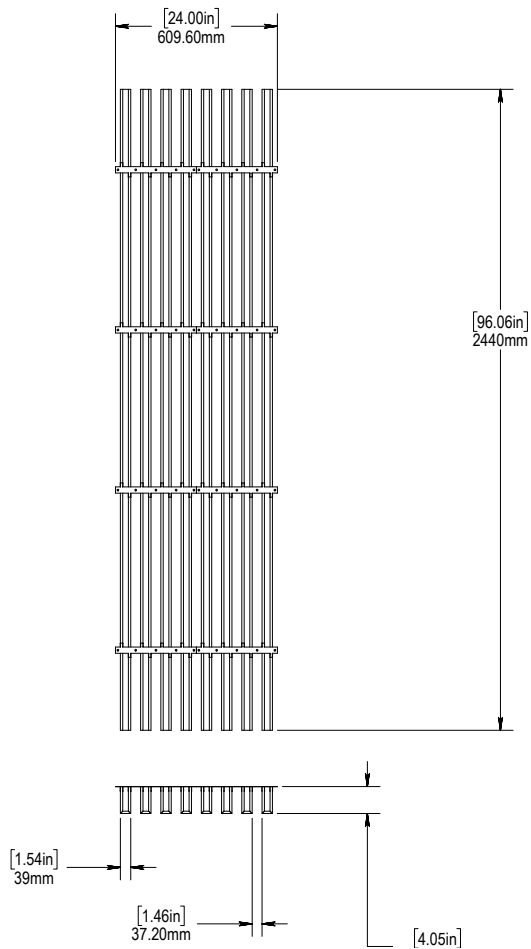
TYPICAL MOQ ORDER CONFIGURATION



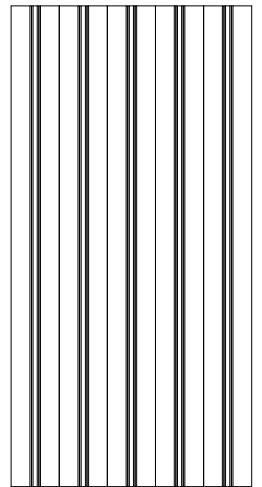
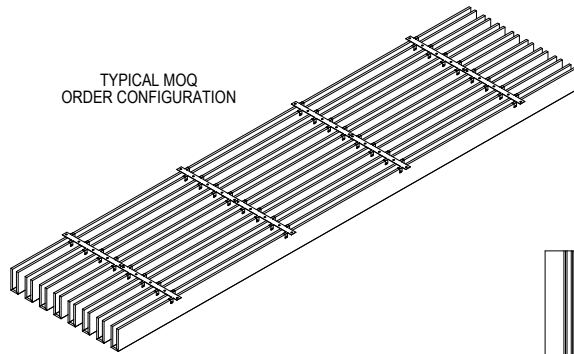
2H CUT SHEET (4PCS PER SHEET)

LINYFELT 8L

AVAILABLE DIMENSIONS



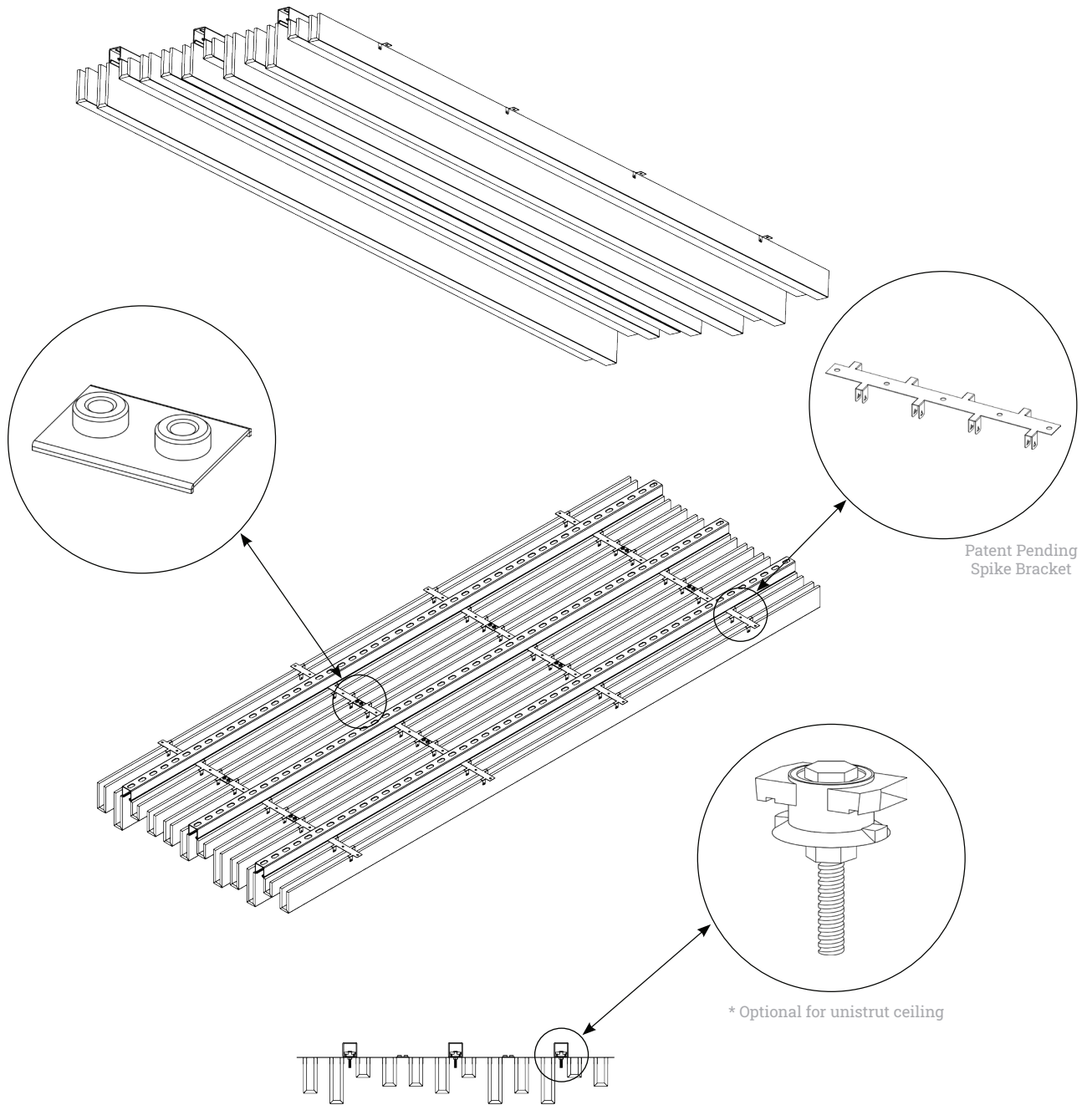
TYPICAL MOQ ORDER CONFIGURATION



2H CUT SHEET (5PCS PER SHEET)

LINYFELT 8L

VARIABLE HEIGHT LAYOUT & HARDWARE DETAILS



LINYFELT 8L

UNIFORM HEIGHT LAYOUT & HARDWARE DETAILS

