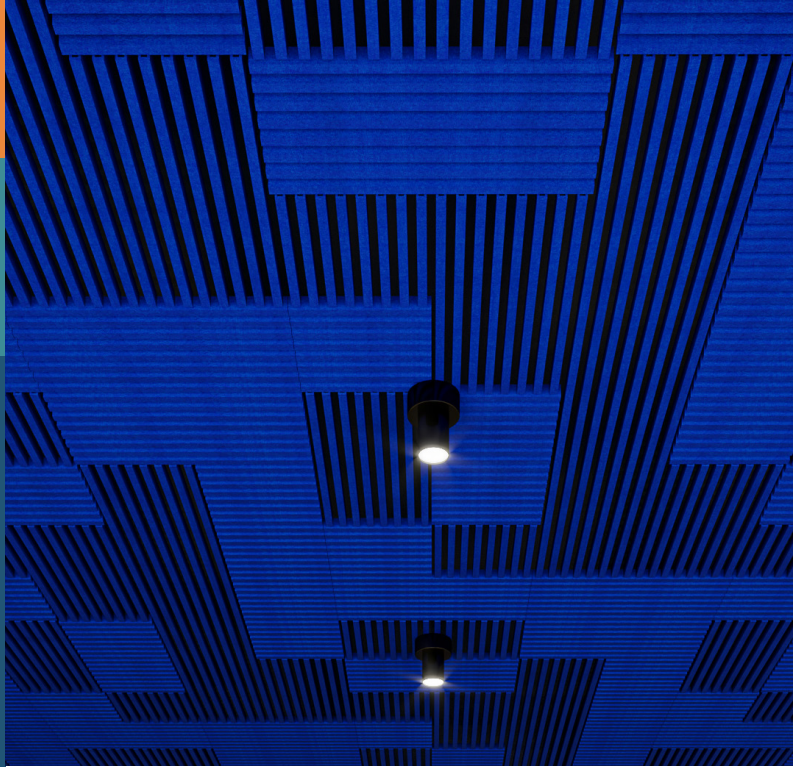




LINYFELT 2X2

Fräsch was founded on the belief that creating healthy and beautiful office environments leads to a happier and highly motivated workforce.



LINYFELT 2x2

Dropped Grid Acoustical Ceiling Solution

Discover the epitome of clean lines with LINYFELT. Mix alternating heights and colors for that perfect aesthetic. LINYFELT 2X2 snaps into any T-Grid with patent-pending spike brackets for easy installation, making it the perfect solution to update any standard dropped ceiling to a more pleasant aesthetic.

Application Ceiling Suspended

	L	W	H	WEIGHT
LINYFELT 2x2 2-¼ in	24"	24"	2"	1.0 lbs.
LINYFELT 2x2 3-¼ in	24"	24"	3"	1.4 lbs.
LINYFELT 2x2 4 in	24"	24"	4"	1.7 lbs.
LINYFELT 2x2 5 in	24"	24"	5"	2.1 lbs.

Hardware

Default: Drop Ceiling: Spike Bracket, Bracket Joiner, T-Bar Clip

Material Content 9 mm 100% PET (55% recycled content)

Fire Rating Class A per ASTM E-84, based on 9mm white

Warranty 2 Years

Acoustics - 2 inch with backing T-Grid

Frequency (Hz)	250	500	1K	2K	NRC
NRC	0.90	0.80	1.01	1.08	0.95
Sabins per m ²	64.90	57.34	72.87	77.54	

Acoustics - 5 inch with backing T-Grid

Frequency (Hz)	250	500	1K	2K	NRC
NRC	0.99	1.05	1.17	1.27	1.10
Sabins per m ²	71.38	75.92	84.01	91.58	

Test was conducted while product was in its actual installation setting.

All NRC testings assumes one face/one object and does not account for the product thickness.

Environment

Low VOC;
Post-Consumer Recycled Content
100% Recyclable

Installation

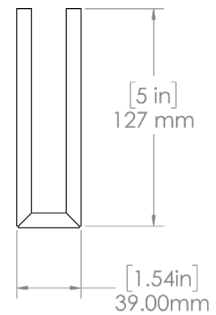
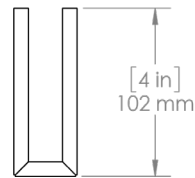
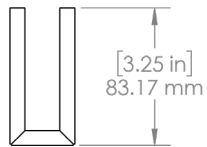
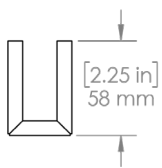
LINYFELT 2x2 comes with 2ft long pre-assembled U-channel structures that easily install onto our custom designer spike brackets (patent pending). Hardware includes Spike Brackets, T-grid Hanger Bracket and Bracket Joiner. The ceiling fastener is provided by an installer based on ceiling type.

Country of Origin

USA

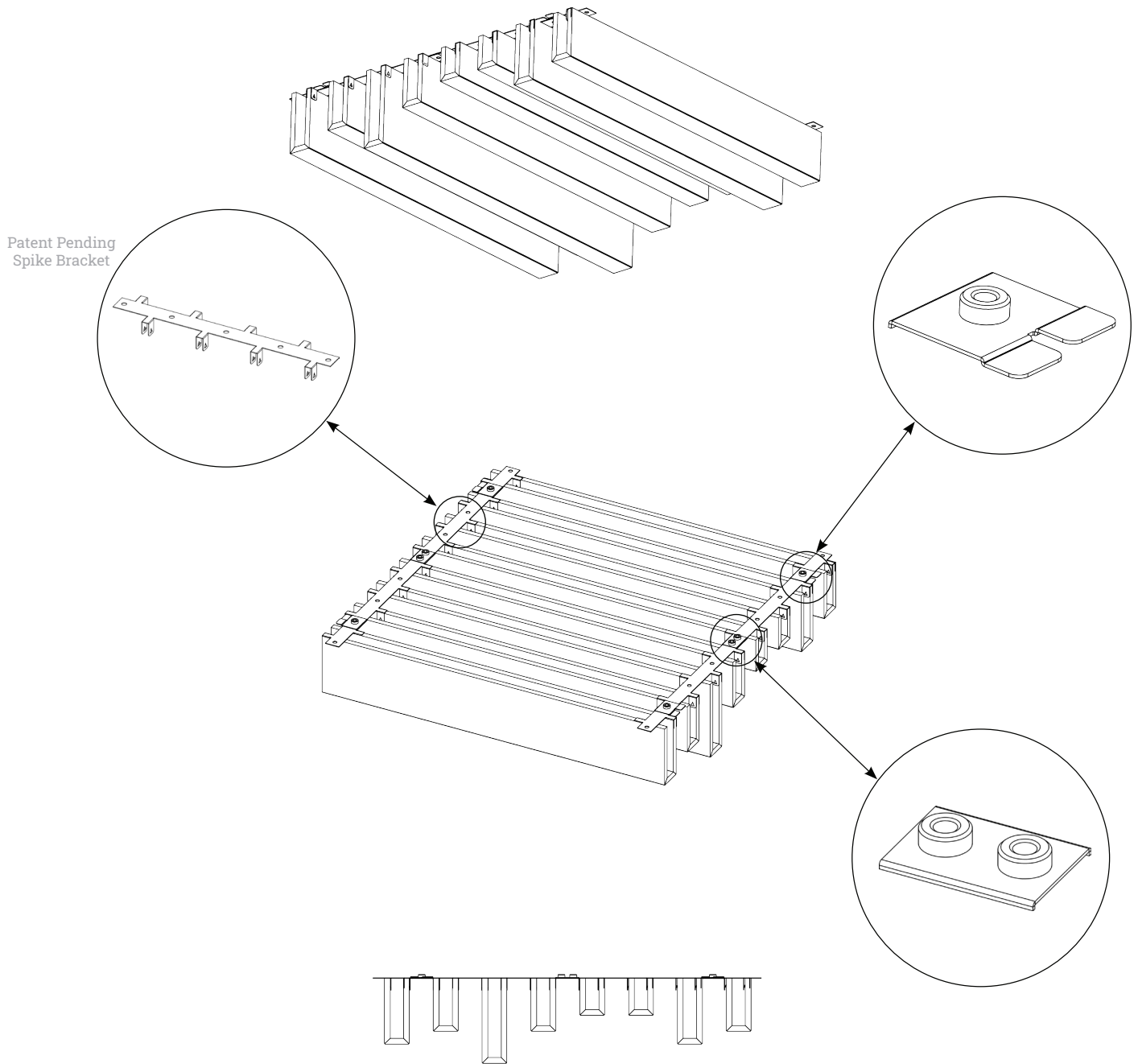
LINYFELT 2X2

AVAILABLE DIMENSIONS



LINYFELT 2X2

VARIABLE HEIGHT LAYOUT & HARDWARE DETAILS



LINYFELT 2X2

UNIFORM HEIGHT LAYOUT & HARDWARE DETAILS

Patent Pending
Spike Bracket

