



**FAZR**

Fräsch was founded on the belief that creating healthy and beautiful office environments leads to a happier and highly motivated workforce.



# FAZR

## Closed Plenum Ceiling Solution

FAZR (pronounced “phaser”) is a superior acoustic solution comprised of PET 9mm dovetail channels that clip onto the Rockfon® symmetrical carrier system, mimicking the look of linear metal ceilings but with all the benefits of acoustical PET felt, including an array of color choices and printed wood grains, easy installation, reduced cost, and exceptional NRC and fire ratings.

**Application** Ceiling

### Size:

Standard Module 12' 1" W x 16' D x 3.25" H

**Hardware** Rockfon® symmetrical carrier system\*  
snap-in extrusion

\*Can be sold separately for large projects

**Material Content** 9 mm 100% PET,  
Steel, PVC

**Fire Rating** Class A per ASTM E-84, based on 9mm white

### Environment

PET utilizes 55% Post-Consumer Recycled Content and is 100% recyclable  
Low VOC  
CARB-approved TPC

### Acoustics

#### Fully Closed Plenum

Frequency (Hz)	250	500	1K	2K	NRC
NRC	0.97	0.68	.92	1.03	<b>0.90</b>
Sabins per m <sup>2</sup>	70.50	49.25	67.12	74.86	

#### Partially Open Plenum

Frequency (Hz)	250	500	1K	2K	NRC
NRC	0.68	0.51	.78	.92	<b>0.70</b>
Sabins per m <sup>2</sup>	49.90	37.06	56.73	66.89	

Testing was conducted while product was in its actual installation setting.

All NRC testings assumes one face/one object and does not account for the product thickness

### Installation

The FAZR system mounts to a ceiling using Rockfon® symmetrical carrier system and snap-in, plastic extrusion. Optional lights include the drive and all required hardware.

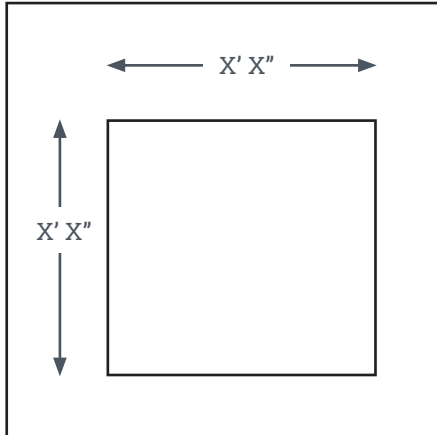
**Country of Origin** USA

**Warranty** 2 Years

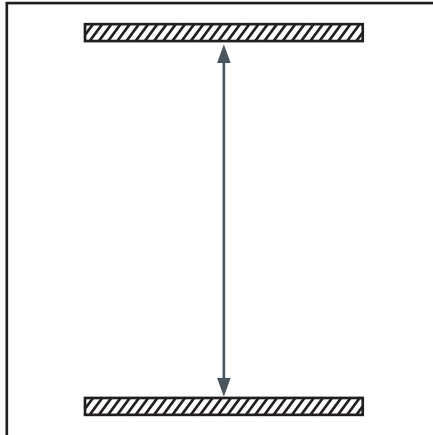
## FAZR

### HOW TO SPECIFY

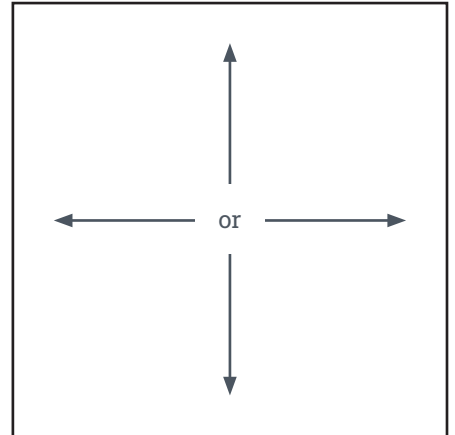
1. SPACE SIZE



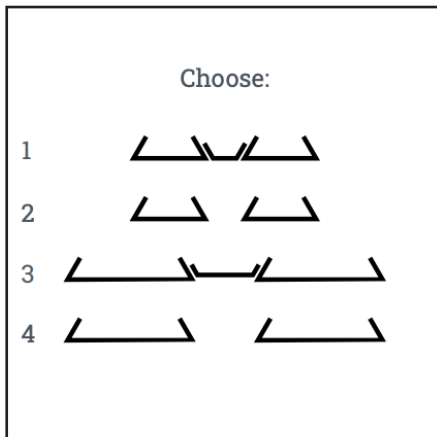
2. WALL-TO-WALL



3. PET DIRECTION



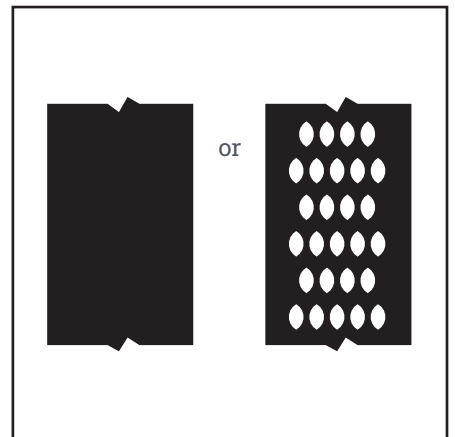
4. CONFIGURATION



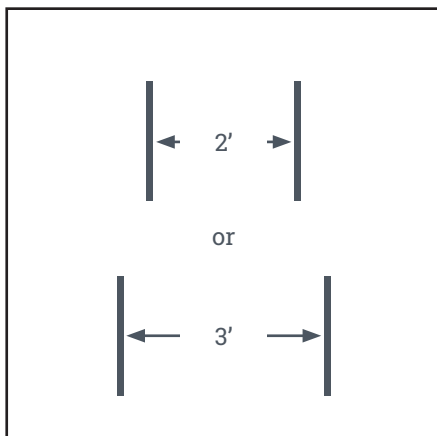
5. COLOR\*\*



6. PERFORATIONS



7. CARRIER SPACING



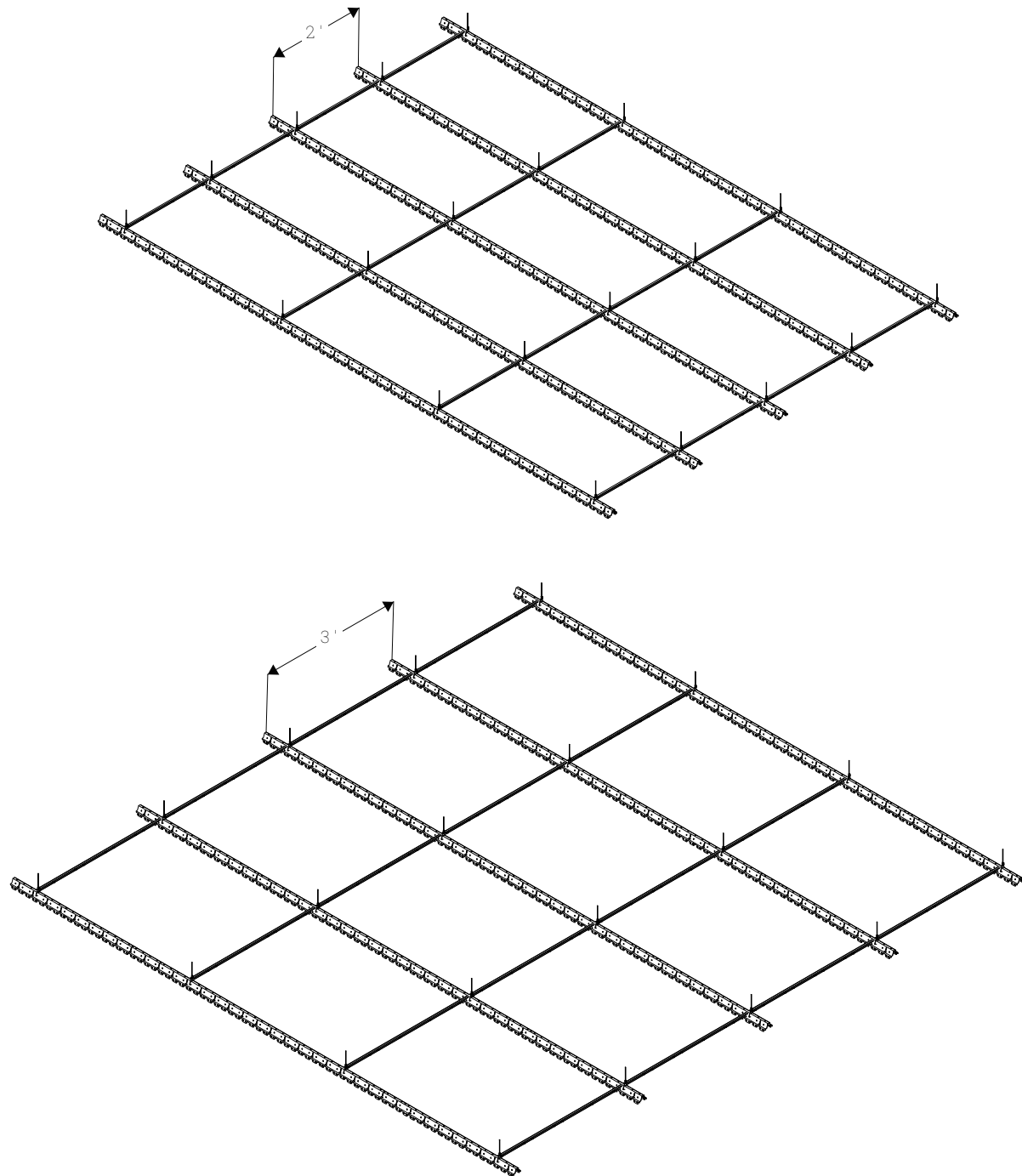
\*\*\* Dimensions shown on following pages.

\*\* Not all colors shown. Refer to a complete color list for reference.

## FAZR

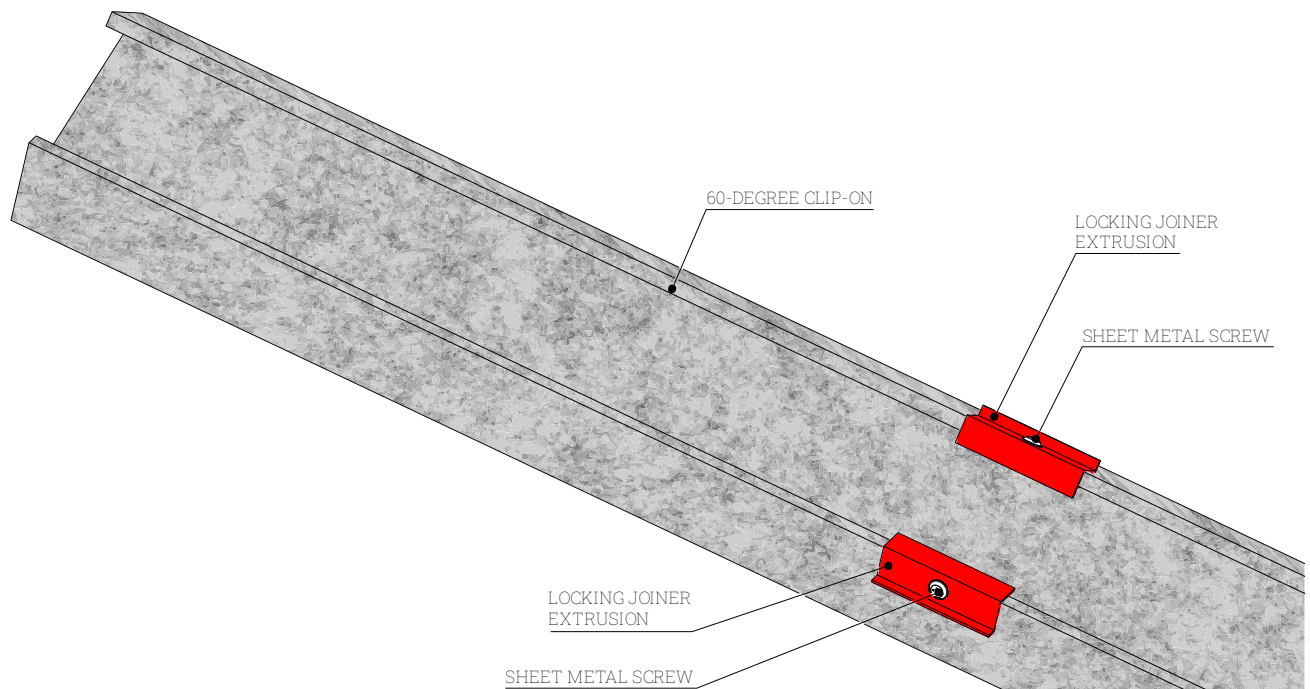
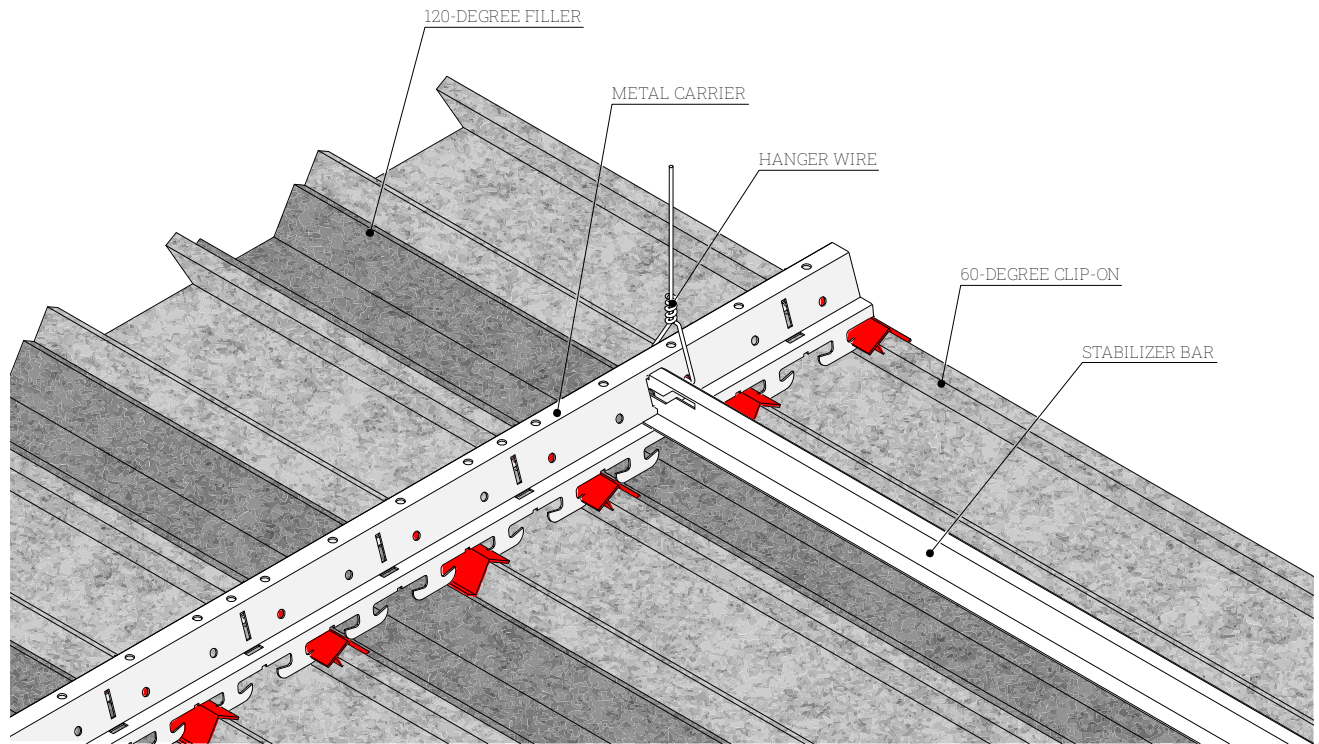
### HARDWARE / CARRIER

Carriers can be placed 2' or 3' apart per budget and site conditions. Respective stabilizer bars to be used.



## FAZR

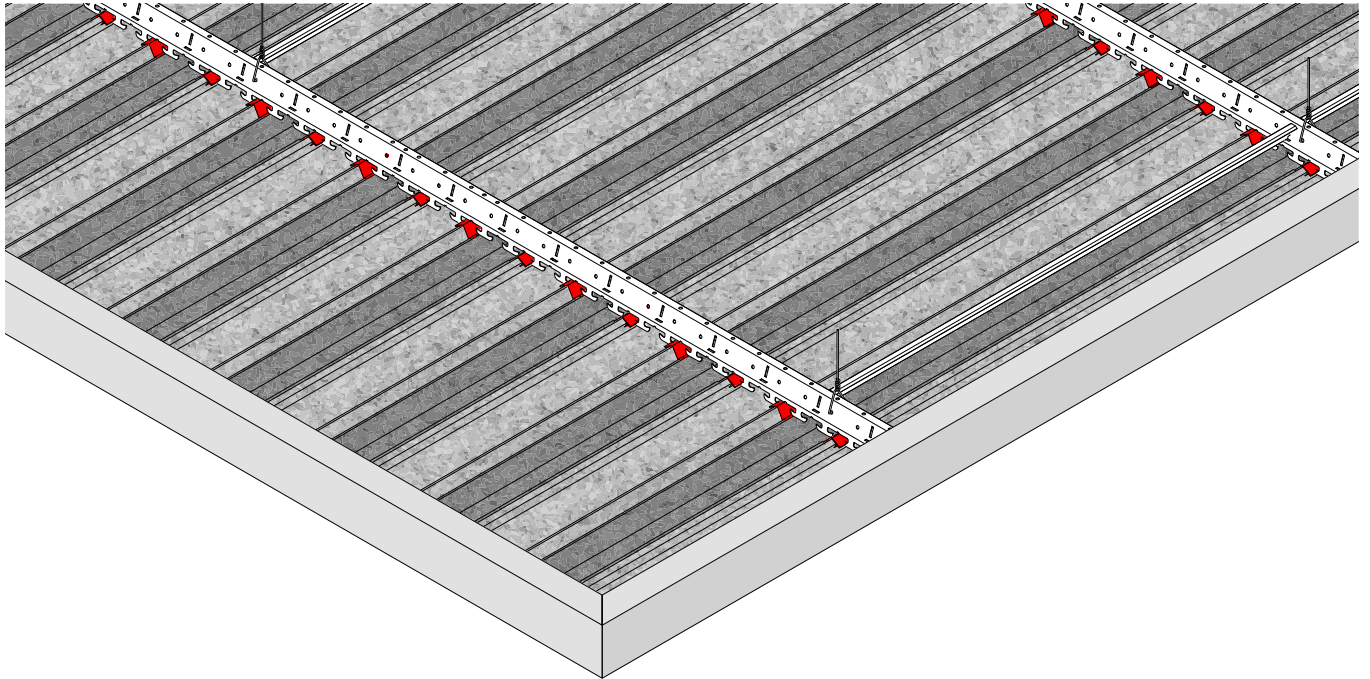
### HARDWARE / CARRIER & PET



## FAZR

### HARDWARE / TRIM & SPLICING

Compatible with optional aluminum C-channel edge trim.



A splice must be used for installations wider than 12'.

