



CUBISM-PILO

Fräsch was founded on the belief that creating healthy and beautiful office environments leads to a happier and highly motivated workforce.



CUBISM-PILO

Acoustical Wall Fixture

Fräsch's CUBISM Series presents a bold three-dimensional design that will add depth and modern beauty to any space. Create your own original work of art by mixing 37 colors and rotating tiles to create unique patterns. CUBISM's unique hollow design provides superior sound absorption. Create soft curves or a woven aesthetic with CUBISM – PILO.

CUBISM utilizes a large hollow cavity to provide superior sound absorption. Since the design does not rely on fill material, it is made of 100% PET Felt, creating a combined NRC rating of .85. The Secret Trap Door design (patent pending) allows for easy installation with standard screws. No gluing! No special hardware!

Application	Wall, Ceiling			
	L	W	H	WEIGHT
CUBISM-PILO FULL	12"	6"	3"	.32 lbs.
CUBISM-PILO HALF	6"	6"	3"	.2 lbs.

Hardware

Default: Secret Trap Door, Sheetrock Screw, Roberts 3095 Carpet Adhesive, Heavy Duty Liquid Nail

Material Content 9 mm 100% PET (55% recycled content)

Fire Rating Class A per ASTM E-84, based on 9mm white

Acoustics

Frequency (Hz)	250	500	1K	2K	NRC
NRC	0.44	0.86	1.04	1.02	0.85
Sabins per m ²	30.73	60.81	73.6	71.89	

Test was conducted while product was in its actual installation setting

All NRC testings assumes one face/one object and does not account for the product thickness

Environment

Low VOC;
Post-Consumer Recycled Content
100% Recyclable

Installation

Can be applied to walls or ceilings with standard screws by using the Secret Trap Door design (patent pending) or PILO can be directly glued. Requires no special hardware. Designed with professional and DIY installer in mind.

Country of Origin

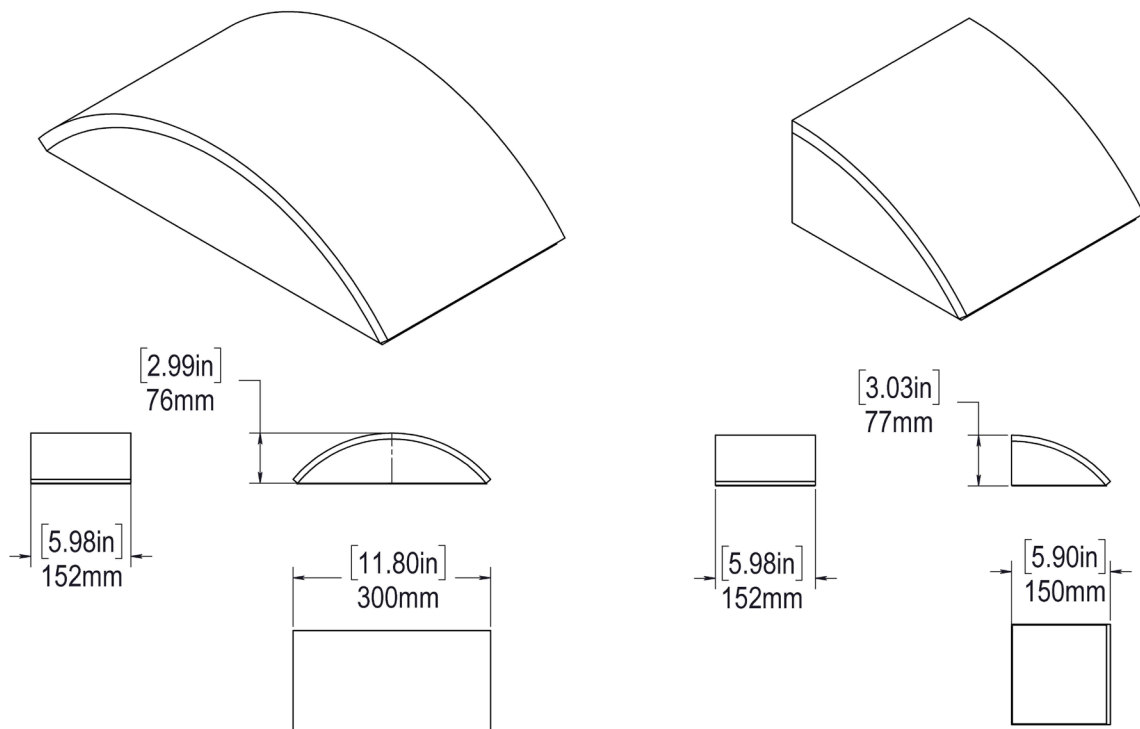
USA

Warranty

2 Years

CUBISM-PILO

AVAILABLE DIMENSIONS



CUBISM-PILO

AVAILABLE DIMENSIONS

