



## BRIK

Fräsch was founded on the belief that creating healthy and beautiful office environments leads to a happier and highly motivated workforce.



# BRIK

## Acoustical Wall Tile

When struggling with echos and sound transfer between offices and conference rooms, a custom-designed BRIK wall can mitigate these problems while adding a beautiful accent wall. BRIK comes with chamfered edges, multiple design options and effortless installation.

**Application** Ceiling Suspended

	L	W	H	WEIGHT
<b>BRIK</b>	47"	23.5"	.35"	2.11 lbs.

Custom sizing and printed option available

### Hardware

Default: Drywall Screws, Impaler Clip  
 \* Liquid Nail or 3095 Carpet Glue Adhesive

\* Available Upon Request

**Material Content** 9 mm 100% PET (55% recycled content)

**Fire Rating** Class A per ASTM E-84, based on 9mm white

**Material Content** 9 mm 100% PET (55% recycled content)

### Acoustics

Frequency (Hz)	250	500	1K	2K	NRC
<b>NRC</b>	0.04	0.16	0.40	0.63	<b>(0.30-0.75)</b>
<b>Sabins per m<sup>2</sup></b>	0.27	1.07	2.71	4.18	

Test was conducted while product was in its actual installation setting

All NRC testings assumes one face/one object and does not account for the product thickness

### Environment

Low VOC;  
 Post-Consumer Recycled Content  
 100% Recyclable

### Installation

BRIK is quite effortless when it comes to installation. Simply lay out your space and mount the Impaler Clip to the wall with sheetrock screws and press BRIK to secure it to the wall.

### Country of Origin

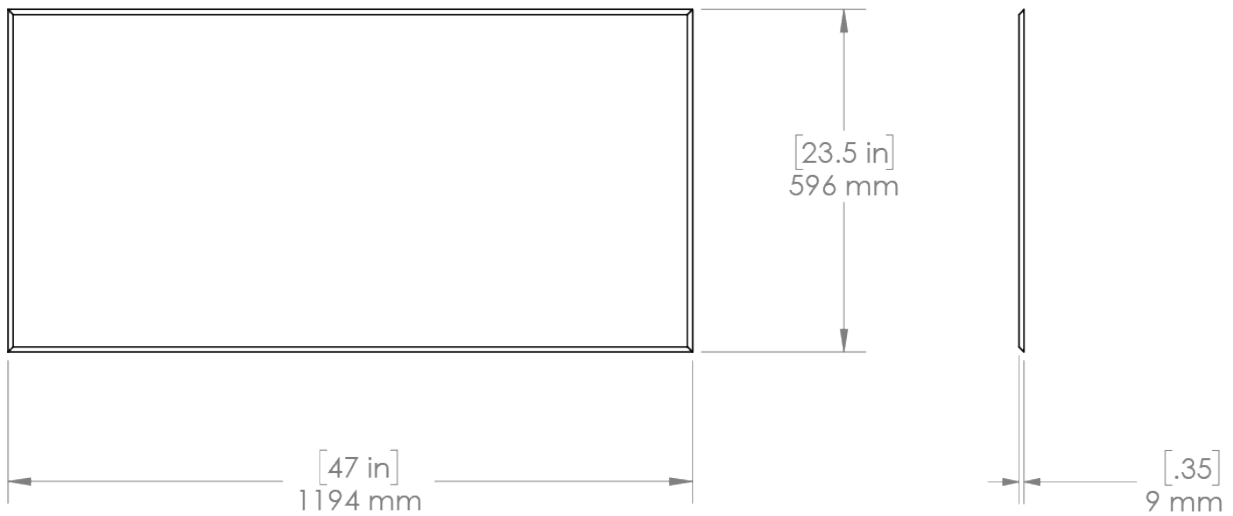
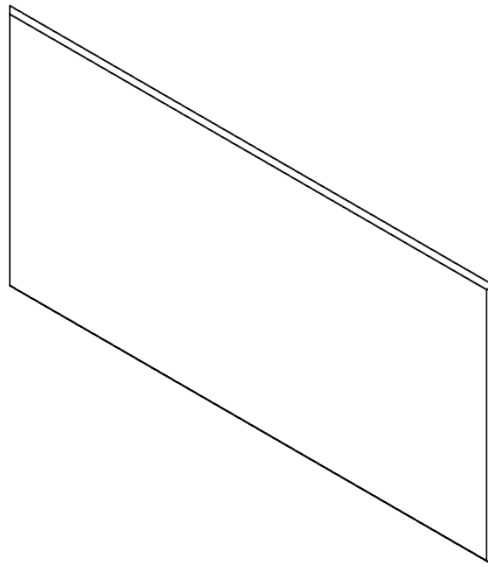
USA

### Warranty

2 Years

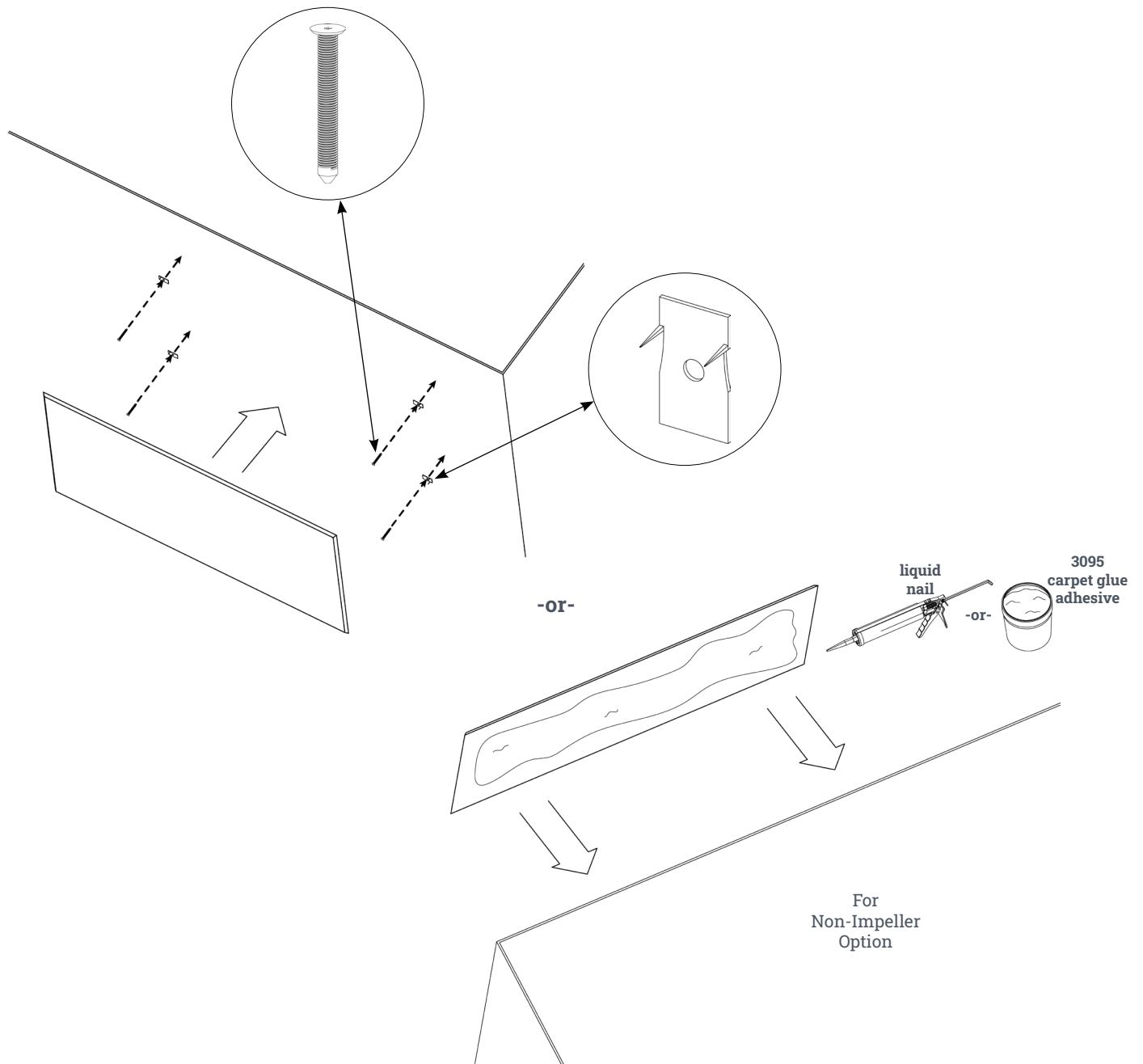
# BRIK

## AVAILABLE DIMENSIONS



## BRIK

### HARDWARE DETAILS



# BRIK

## WALL LAYOUT

