



BRIK 2.0

Fräsch was founded on the belief that creating healthy and beautiful office environments leads to a happier and highly motivated workforce.



BRIK 2.0

Acoustical Wall Decor

Create a unique wall pattern with three-dimensional effects using four standard square & rectangular BRIK tiles with multiple different thickness elevations.

Easy installation with front access using standard screws and patent pending Secret Trap Door that disappears after BRIK 2.0 is mounted.

Application Ceiling Suspended

	L	W	H	WEIGHT
BRIK 2.0	10.5"	10.5"	1"	0.37 lbs.
	10.5"	10.5"	1.5"	0.45 lbs.
	21.0"	10.5"	1"	0.61 lbs.
	21.0"	10.5"	1.5"	0.71 lbs.
	21.0"	21.0"	1"	1.10 lbs.
	21.0"	21.0"	1.5"	1.22 lbs.
	42.0"	21.0"	1"	2.10 lbs.
	42.0"	21.0"	1.5"	2.28 lbs.

Custom sizing available

Hardware

Default: Drywall Screws via patent pending Secret Trap Door

Default (Printed): Impaler Clip
* Liquid Nail or 3095 Carpet Glue Adhesive

* Available Upon Request

Material Content 9 mm 100% PET (55% recycled content)

Fire Rating Class A per ASTM E-84, based on 9mm white

Acoustics

Frequency (Hz)	250	500	1K	2K	NRC
NRC	0.12	0.28	0.61	0.91	0.50
Sabins per m ²	0.81	1.89	4.20	6.18	

Test was conducted while product was in its actual installation setting

All NRC testings assumes one face/one object and does not account for the product thickness

Environment

Low VOC;
Post-Consumer Recycled Content
100% Recyclable

Installation

BRIK 2.0 comes in eight different thickness elevations. Simply plan your layout area and mount BRIK 2.0 through our patent pending Secret Trap Door directly onto your wall surface. The Secret Trap Door will leave BRIK 2.0 with a seamless surface after installation.

Country of Origin

USA

Warranty

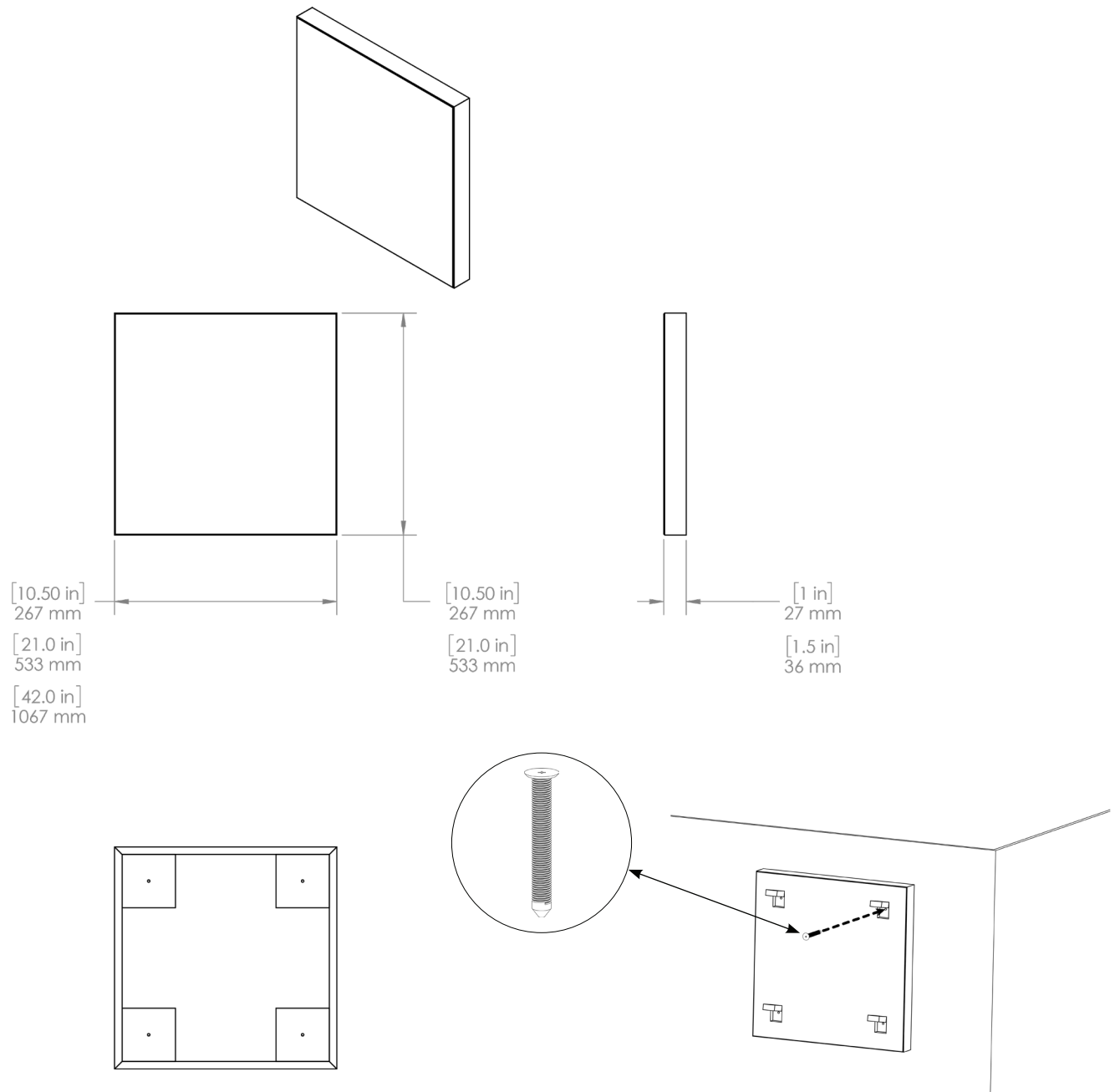
2 Years

fräsch!

08.2025

BRIK 2.0

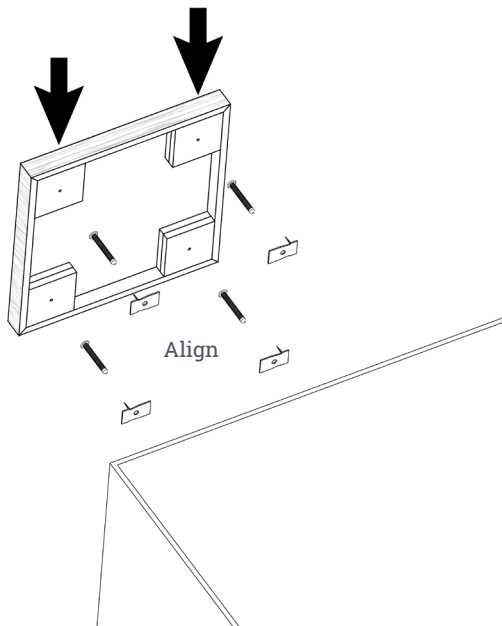
DIMENSIONS & HARDWARE DETAIL



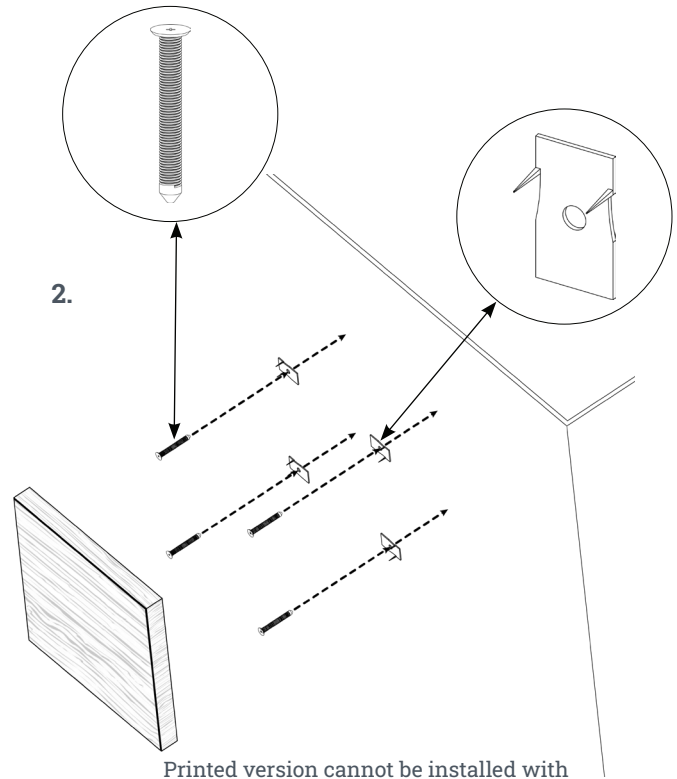
BRIK 2.0

INSTALLATION & HARDWARE DETAILS

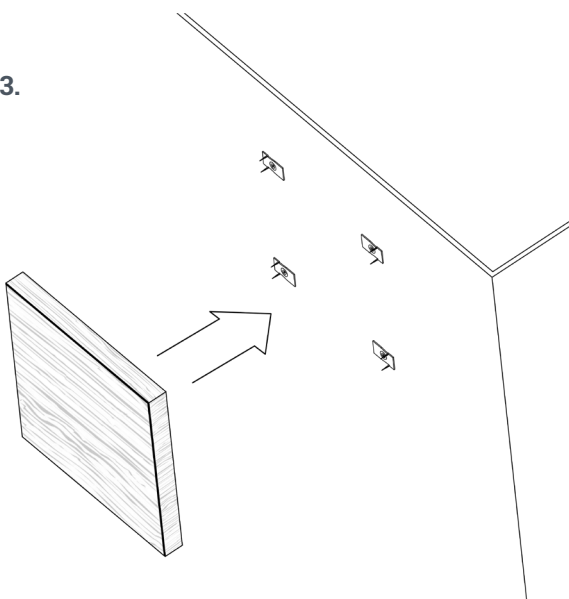
1.



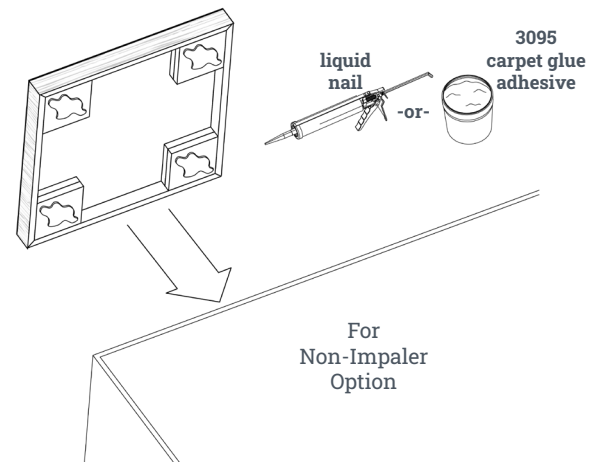
2.



3.



-or-



BRIK 2.0

WALL LAYOUT

