



## TRI BAFL

Fräsch was founded on the belief that creating healthy and beautiful office environments leads to a happier and highly motivated workforce.



# TRI BAFL

## Acoustic Triangle Ceiling Baffle

TRI BAFL provides the same exceptional sound performance as our classic baffles in an upgraded, unique design. The triangular geometry presents clean angles that can be positioned in numerous ways, creating a custom aesthetic. Pre-installed brackets and included hardware make for easy installation.

**Application** Ceiling Suspended

	L	W	H	WEIGHT
TRI BAFL	47.25"	4"	14"	2.8 lbs.
TRI BAFL	95"	4"	14"	5.6 lbs.

Custom sizing available

### Hardware

Default: 18mm Spike Bracket, Griplock, Aircraft Cable/Threaded Rod

Unistrut\*: Unistrut, Cone Nut Assembly, Threaded Rod/Aircraft Cable, Coupler Nut, Griplock

Drop Ceiling\*: T-Bar Clip/Magnet, Coupler Nut, Hanger Bolt, Spike Bracket

\* Available Upon Request

**Material Content** 9 mm 100% PET (55% recycled content)

**Fire Rating** Class A per ASTM E-84, based on 9mm white

### Acoustics

Frequency (Hz)	250	500	1K	2K	NRC
NRC	0.57	0.90	1.36	1.61	1.10
Sabins per m <sup>2</sup>	4.45	7.05	10.62	12.61	

Test was conducted while product was in its actual installation setting.

All NRC testings assumes one face/one object and does not account for the product thickness.

### Environment

Low VOC;  
Post-Consumer Recycled Content  
100% Recyclable

### Installation

TRI BAFL comes with two perfectly placed and pre-installed 18mm Brackets for easy connectivity and quick install. Griplocks and Aircraft Cable are included. The ceiling fastener is provided by an installer.

### Country of Origin

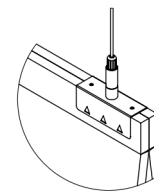
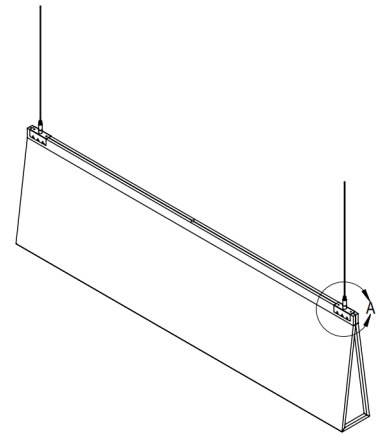
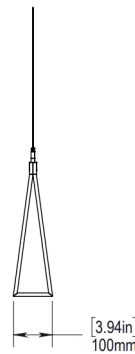
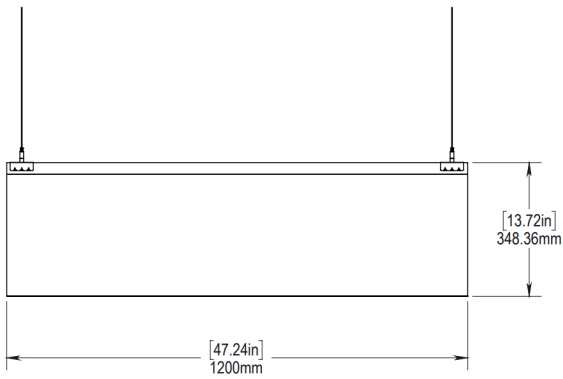
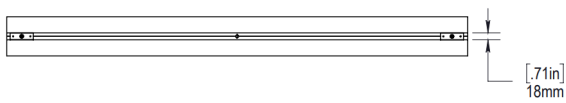
USA

### Warranty

2 Years

## TRI BAFL

### AVAILABLE DIMENSIONS



SCALE 1 : 3