



TILT BAFL

Fräsch was founded on the belief that creating healthy and beautiful office environments leads to a happier and highly motivated workforce.



TILT BAFL

Acoustical Ceiling Baffle

TILT BAFL is a unique twist on the classic BAFL system. Create an angled aesthetic while providing optimal acoustics to any space. Our patent pending TILT BAFL Bracket allows the baffles to be installed at an angle to create a fan-like look. TILT BAFL comes in three standard lengths with custom sizing available. Baffles come pre-drilled and ready for quick assembly and easy installation.

Application Ceiling Suspended

	L	W	H	WEIGHT
TILT BAFL 4FT	47.5"	2.75"	12"	3.4 lbs.
TILT BAFL 6FT	72"	2.75"	12"	5.1 lbs.
TILT BAFL 8FT	95"	2.75"	12"	6.8 lbs.

* Custom sizing available

Hardware

Default: Aircraft Cable/Threaded Rod, Coupler Nut, Griplock, Hanger Bolt

Unistrut*: Unistrut, Cone Nut Assembly, Threaded Rod/ Aircraft Cable, Coupler Nut, Griplock

* Available Upon Request

Material Content 9 mm 100% PET (55% recycled content)

Fire Rating Class A per ASTM E-84, based on 9mm white

Acoustics

Frequency (Hz)	250	500	1K	2K	NRC
NRC	0.57	0.90	1.36	1.61	1.10
Sabins per m²	4.45	7.05	10.62	12.61	

* Test was conducted while product was in its actual installation setting

* All NRC testing assumes one face/one object and does not account for the product thickness

Environment

Low VOC;
Post-Consumer Recycled Content
100% Recyclable

Installation

TILT BAFL comes with two pre-drilled holes for Hanger Bolt installation and quick assembly to TILT BAFL Bracket set-up and existing unistrut ceiling. All hardware, including TILT BAFL Bracket, Cone Nut assembly & Hex Bolt, are shipped together. Mounting process may vary based on ceiling type.

Country of Origin

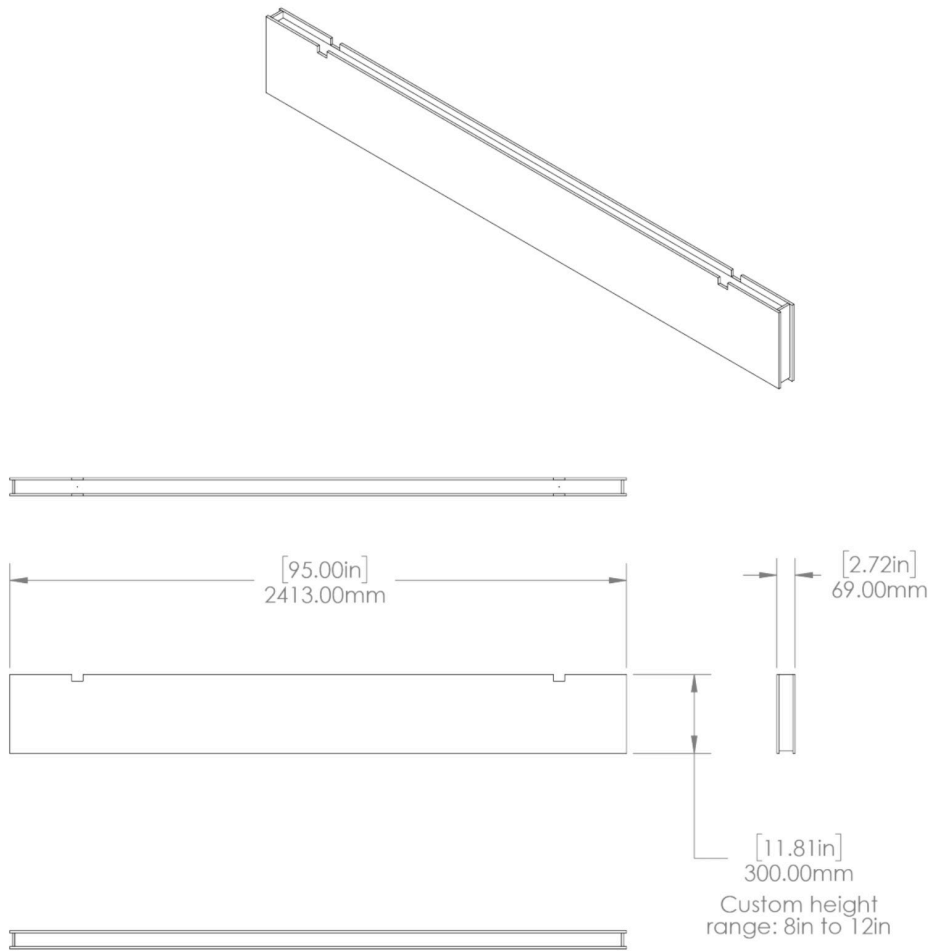
USA

Warranty

2 Years

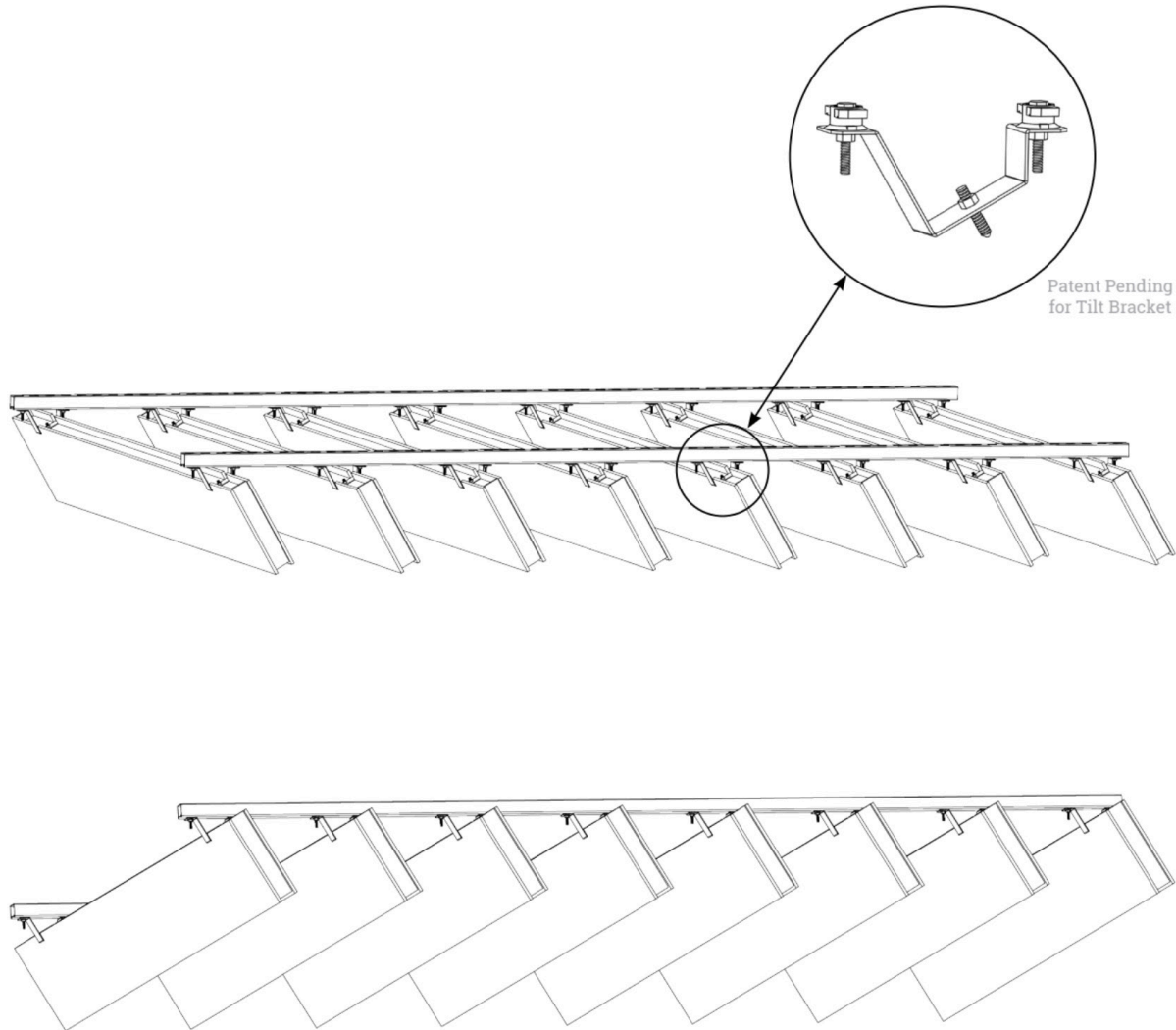
TILT BAFL

AVAILABLE DIMENSIONS



TILT BAFL

INSTALLED WITH HARDWARE DETAILS



TILT BAFL

AVAILABLE SIZES

