



## CLASSIC BAFL LIT

Fräsch was founded on the belief that creating healthy and beautiful office environments leads to a happier and highly motivated workforce.



# CLASSIC BAFL LIT

Acoustical Ceiling Baffle

Light and sound work together in perfect harmony with LIT BAFL. This product combines our classic baffle with an LED light fixture. LIT BAFL reduces unwanted reverberation while providing dimmable illumination; it is a true blend of engineering aesthetics.

**Application** Acoustical Ceiling Baffle

**Sizes:**

See page below for size options

**Hardware:**

Standard: Threaded Rod, Nut, Coupler Nut, Grip Lock, Aircraft Cable

LIT BAFL ships with a standard hardware package that does not include direct to ceiling hardware. Contact [support@frasch.com](mailto:support@frasch.com) to evaluate your site conditions and select the appropriate hardware for your application.

**Material Content** 9 mm 100% PET (55% recycled content)

**Fire Rating** Class A per ASTM E-84, based on 9mm white

**Acoustics**

| Frequency (Hz)            | 250  | 500  | 1K    | 2K    | NRC         |
|---------------------------|------|------|-------|-------|-------------|
| NRC                       | 0.57 | 0.90 | 1.36  | 1.61  | <b>1.10</b> |
| Sabins per m <sup>2</sup> | 4.45 | 7.05 | 10.62 | 12.61 |             |

Test was conducted while product was in its actual installation setting

All NRC testings assumes one face/one object and does not account for the product thickness

**Environment** Low VOC; Post-Consumer Recycled Content 100% Recyclable

**Installation**

Installation requires minimal assembly of a variety of mounting options. Please see the complete installation documentation for details.

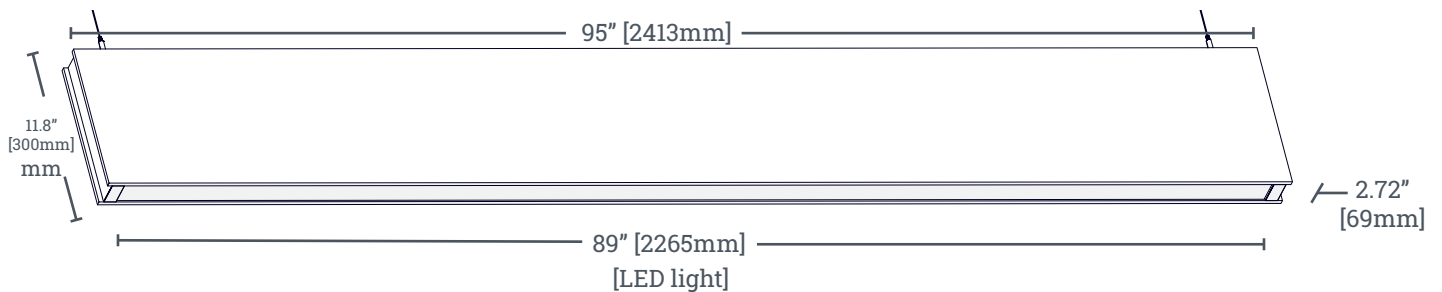
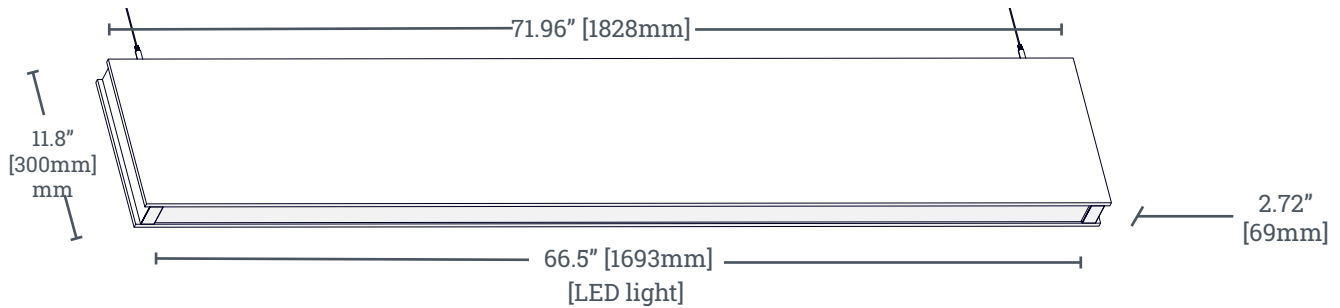
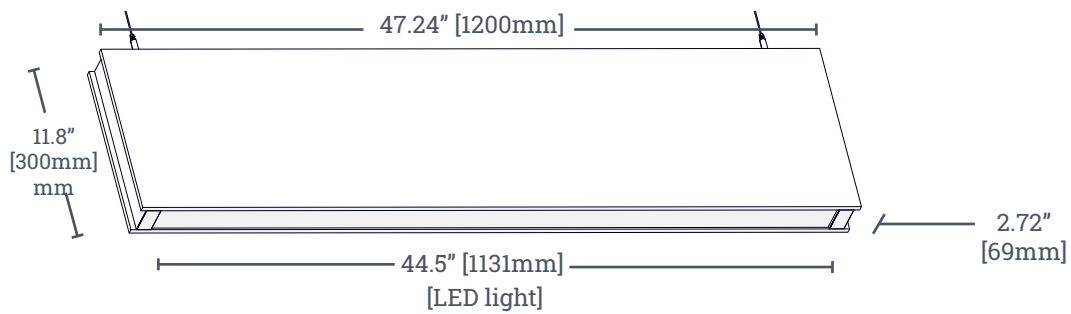
**Country of Origin** USA

**Warranty** 2 Years

## BAFL [LIT]

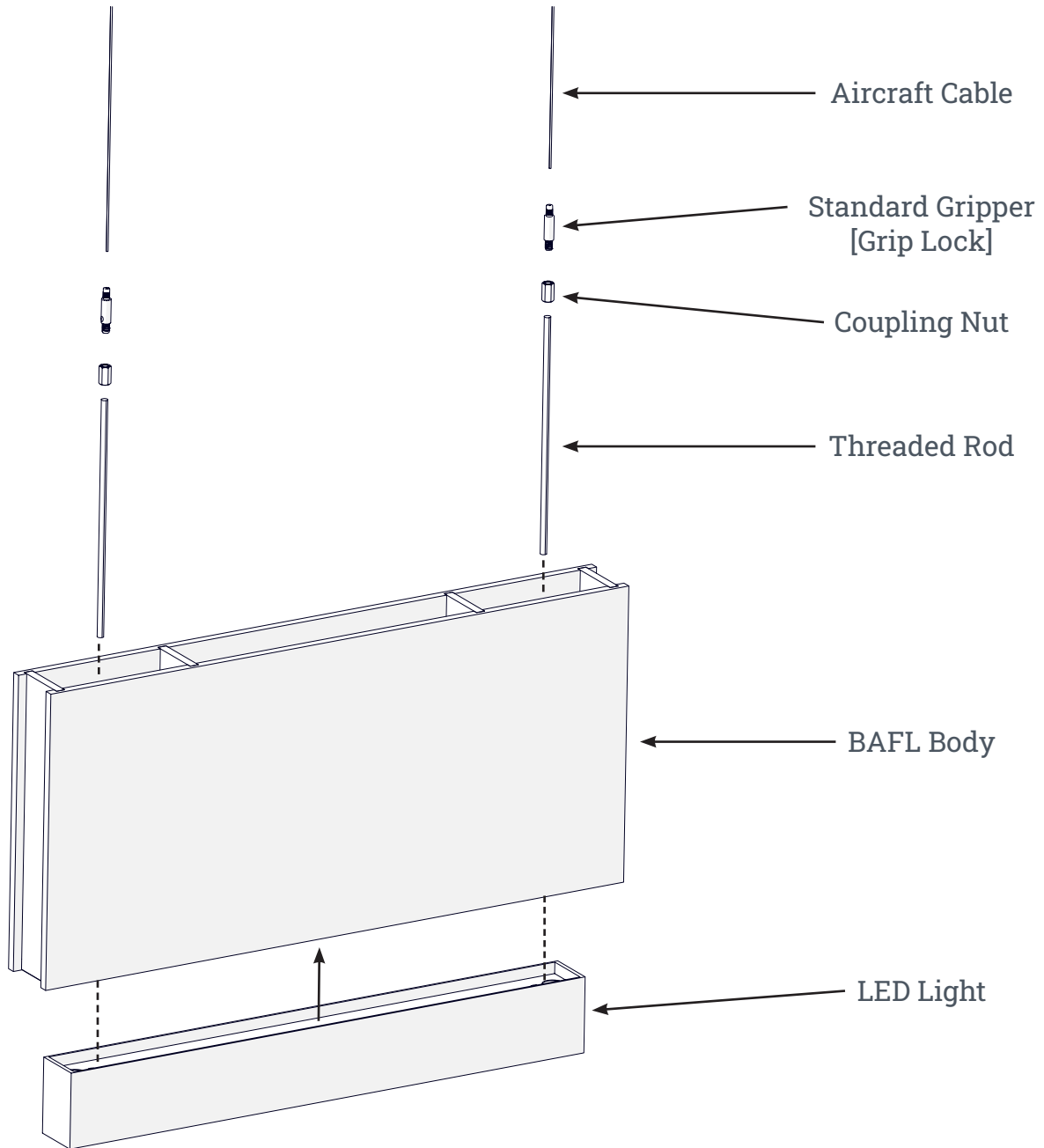
### AVAILABLE DIMENSIONS

NOTE: The length of the LED light is slightly smaller than the total length of the BAFL.



## BAFL [LIT]

### HARDWARE OVERVIEW



Standard hardware package shown. Contact [support@frasch.com](mailto:support@frasch.com) to evaluate your site conditions and select the appropriate hardware for your application.

# BAFL [LIT]

## LED LIGHT SPECIFICATIONS

| SERIES | LENS TYPE | LENGTH | WATTAGE | LUMEN | DIMMING CAPABILITY | TEMP  | LENS FINISH | CANOPY KIT                    | FINISH |
|--------|-----------|--------|---------|-------|--------------------|-------|-------------|-------------------------------|--------|
| L23P   | SF        | 44"    | 28W     | 4400L | 0-10V              | 3000K | WHITE       | 6FT CANOPY KIT W/ 5 WIRE CORD | WHITE  |
| L23P   | SF        | 66"    | 42W     | 6600L | 0-10V              | 3000K | WHITE       | 6FT CANOPY KIT W/ 5 WIRE CORD | WHITE  |
| L23P   | SF        | 89"    | 56W     | 8800L | 0-10V              | 3000K | WHITE       | 6FT CANOPY KIT W/ 5 WIRE CORD | WHITE  |

**Special Note:**

L23P-PENDANT MOUNT;  
 SF-Snap-in frosted acrylic lens; (85% transmission)  
 COLOR FINISH-BLACK/SILVER(PRICE MAY VARY)\*  
 COLOR TEMPERATURE-3000K/4000K (PRICE MAY VARY)\*

\*(Lead time may vary)