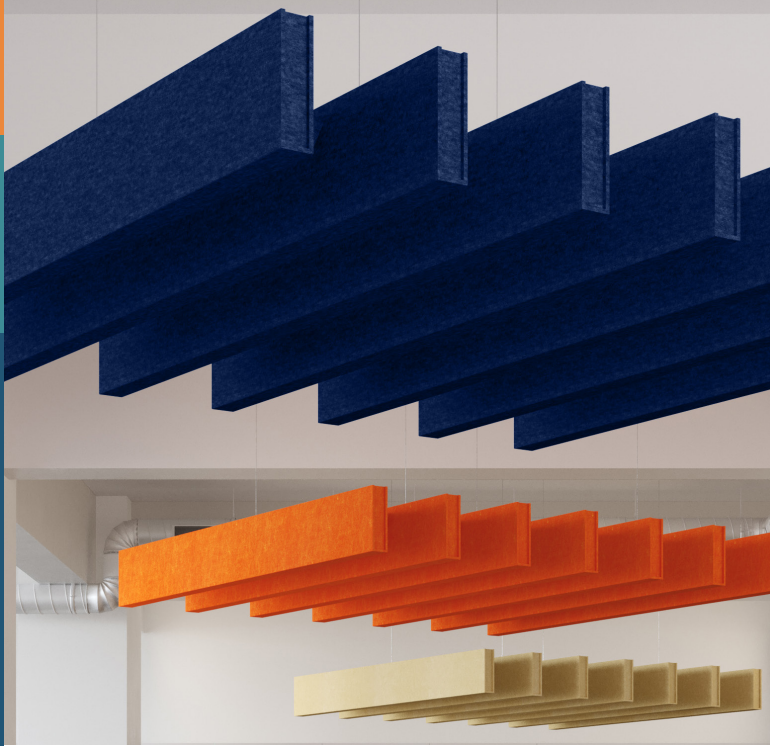




BAFL KIT

Fräsch was founded on the belief that creating healthy and beautiful office environments leads to a happier and highly motivated workforce.



BAFL KIT

Acoustical Baffle Kit

Fräsch makes it easy to configure, attach, and hang ceiling baffles by kitting together proven acoustically performing components, rails, and hardware into a convenient bundle. BAFL KIT assembles together to make a 7' x 7' x 10" tall ceiling array that hangs with 4 mounting points using included aircraft cable or optional threaded rod. Each baffle effortlessly snaps onto the unique V-rail also made with the same PET material to give a seamless architectural look. Quick installation intended for the end-user in mind makes this solution perfect for single unit or large span applications. Designed to be shipped parcel ground for customer convenience.

Application	Ceiling Suspended			
Bafl Kit	L 83.98"	W 84.02"	H 10.00"	WEIGHT 32lbs.
QTY	Each set comes with 7 Baffles, 2 mounting rails.			1 Set
Coverage	48.99 sqft			
Hardware	Default Coupler Nut/Griplock/Aircraft Cable/Trapeze			

Material Content 9 mm 100% PET (55% recycled content)

Fire Rating Class A per ASTM E-84, based on 9mm white

Acoustics

Frequency (Hz)	250	500	1K	2K	NRC
NRC	0.57	0.90	1.36	1.61	1.10
Sabins per m²	4.45	7.05	10.62	12.61	

Test was conducted while product was in its actual installation setting

All NRC testings assumes one face/one object and does not account for the product thickness

Environment Low VOC; Post-Consumer Recycled Content 100% Recyclable

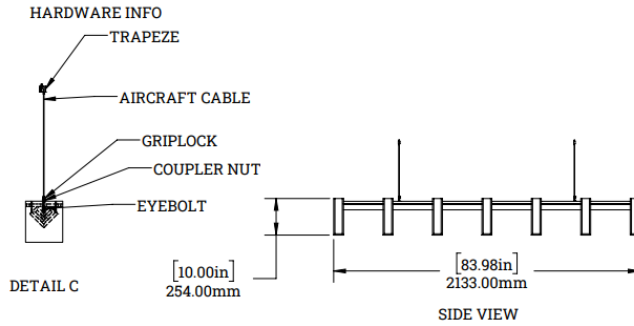
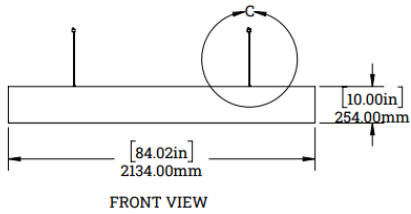
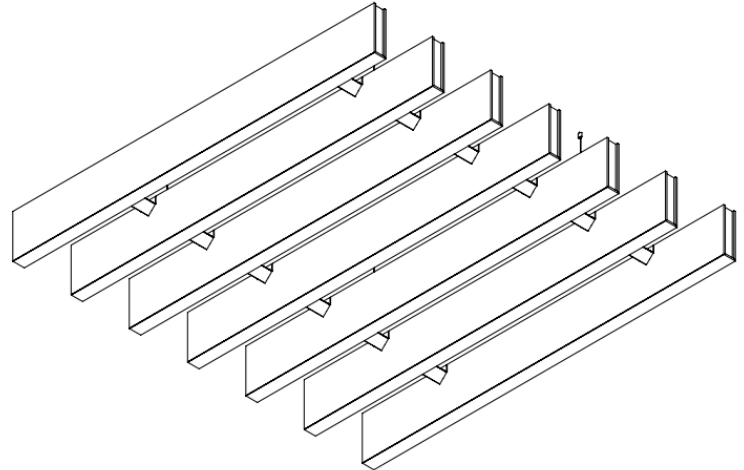
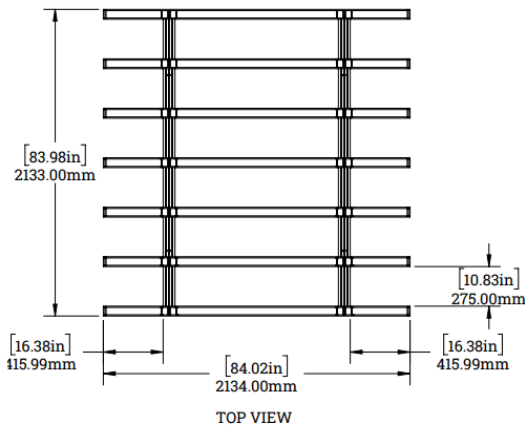
Installation

Use the aircraft cable and trapeze to loop the aircraft cable over a Unistrut or Eyebolt on the ceiling.

Country of Origin USA

Warranty 2 Years

BAFL KIT



BAFL KIT

