



## BLADE BAFL

Fräsch was founded on the belief that creating healthy and beautiful office environments leads to a happier and highly motivated workforce.



# BLADE BAFL

Acoustical Ceiling Baffle

BAFL is a modern take on the traditional ceiling baffle with optimal sound-absorbing properties. BAFL creates a contemporary look while reducing reverberation in any room, particularly effective in spaces with high ceilings. Give your space the silent treatment! BAFL is the perfect solution for optimal sound ambiance in any space.

**Application** Ceiling Suspended

## Hardware: [quantities based on configuration]

### Default:

- Aircraft Cable/Threaded Rod
- Flat Bracket
- Grip Lock

### Unistrut:

- Aircraft Cable/Threaded Rod
- Flat Bracket
- Grip Lock
- Coupler Nut
- Nylon Cone Nut

### Drop Ceiling

- Aircraft Cable/Threaded Rod
- Flat Bracket
- Grip Lock
- Coupler Nut
- T-grid Caddy Clip

**Material Content** 9 mm 100% PET (55% recycled content)

**Fire Rating** Class A per ASTM E-84, based on 9mm white

### Acoustics

Frequency (Hz)	250	500	1K	2K	NRC
NRC	0.57	0.90	1.36	1.61	1.10
Sabins per m <sup>2</sup> )	4.45	7.05	10.62	12.61	

Test was conducted while product was in its actual installation setting

All NRC testings assumes one face/one object and does not account for the product thickness

**Environment** Low VOC;  
Post-Consumer Recycled Content  
100% Recyclable

### Installation

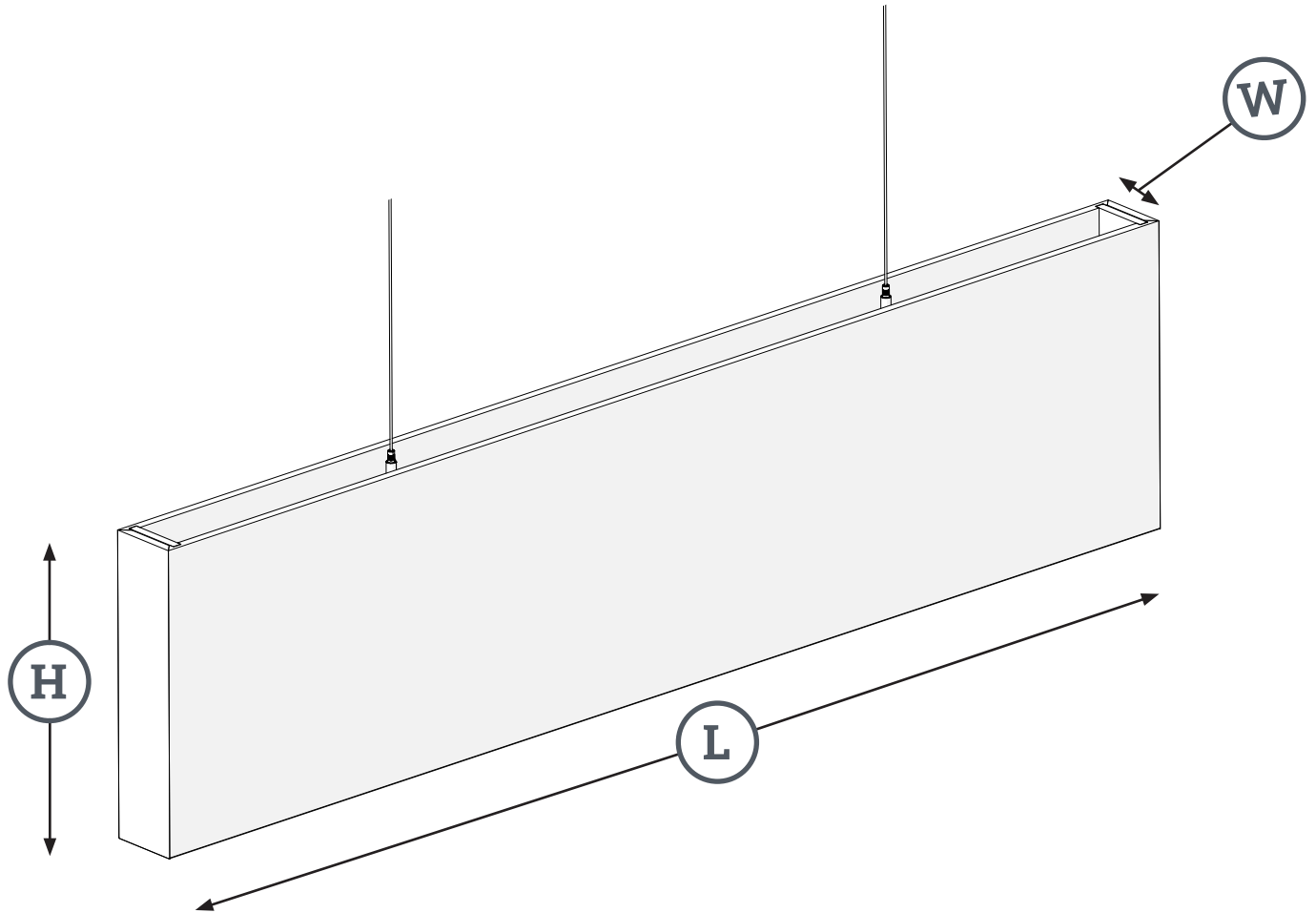
Installation requires minimal assembly of PET and suspension hardware. Mounting point positions are adjustable. See the complete BAFL installation instructions for details.

**Country of Origin** USA

**Warranty** 2 Years

# BLADE BAFL

## AVAILABLE DIMENSIONS



HEIGHT	LENGTH	WIDTH
11.8" [300mm]	47.24"[1200mm]	2.72"[69mm]
11.8" [300mm]	71.97"[1828mm]	2.72"[69mm]
11.8" [300mm]	95"[2413mm]	2.72"[69mm]
10" [254mm]	47.24"[1200mm]	2.72"[69mm]
10" [254mm]	71.97"[1828mm]	2.72"[69mm]
10" [254mm]	95"[2413mm]	2.72"[69mm]