



BAFL BLADE LIT

Fräsch was founded on the belief that creating healthy and beautiful office environments leads to a happier and highly motivated workforce.



BAFL BLADE LIT

Acoustical Ceiling Baffle

Light and sound work together in perfect harmony with BAFL BLADE LIT. This product combines our BLADE baffle with an LED light fixture. BAFL BLADE LIT reduces unwanted reverberation while providing dimmable illumination; it is a true blend of engineering aesthetics.

Application Acoustical Ceiling Baffle

Sizes:

See page below for size options

Hardware:

Standard: Threaded Rod, Nut, Coupler Nut, Grip Lock, Aircraft Cable

BAFL BLADE LIT ships with a standard hardware package that does not include direct to ceiling hardware. Contact support@frasch.com to evaluate your site conditions and select the appropriate hardware for your application.

Material Content 9 mm 100% PET (55% recycled content)

Fire Rating Class A per ASTM E-84, based on 9mm white

Acoustics

Frequency (Hz)	250	500	1K	2K	NRC
NRC	0.57	0.90	1.36	1.61	1.10
Sabins per m ²	4.45	7.05	10.62	12.61	

Test was conducted while product was in its actual installation setting

All NRC testings assumes one face/one object and does not account for the product thickness

Environment Low VOC; Post-Consumer Recycled Content 100% Recyclable

Installation

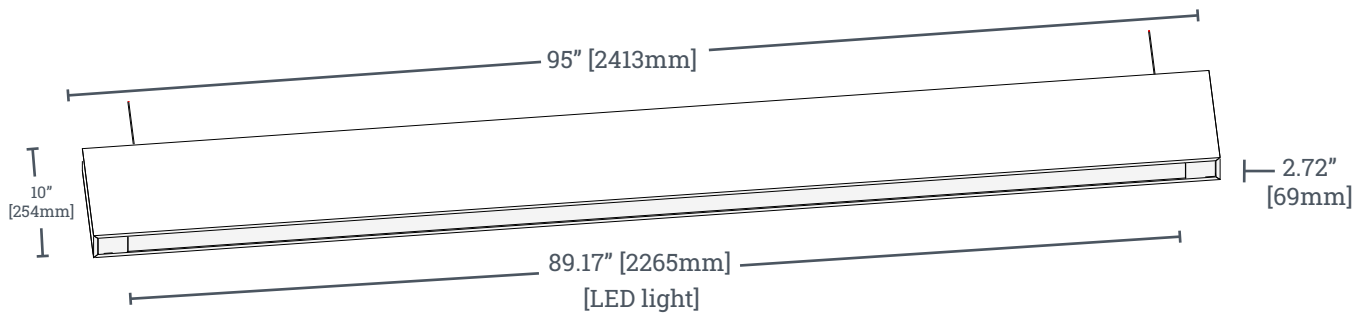
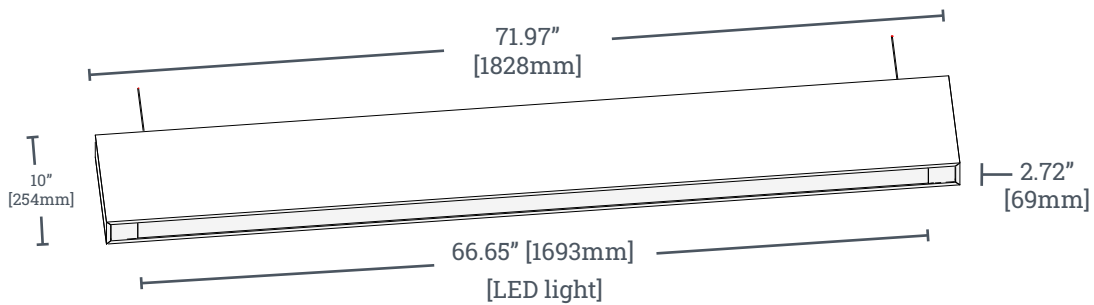
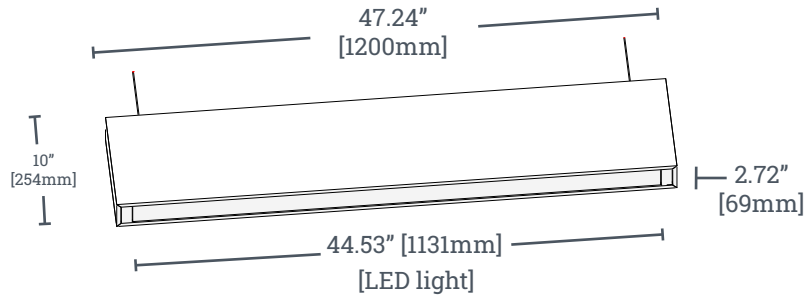
Installation requires minimal assembly of a variety of mounting options. Please see the complete installation documentation for details.

Country of Origin USA

Warranty 2 Years

BAFL BLADE LIT

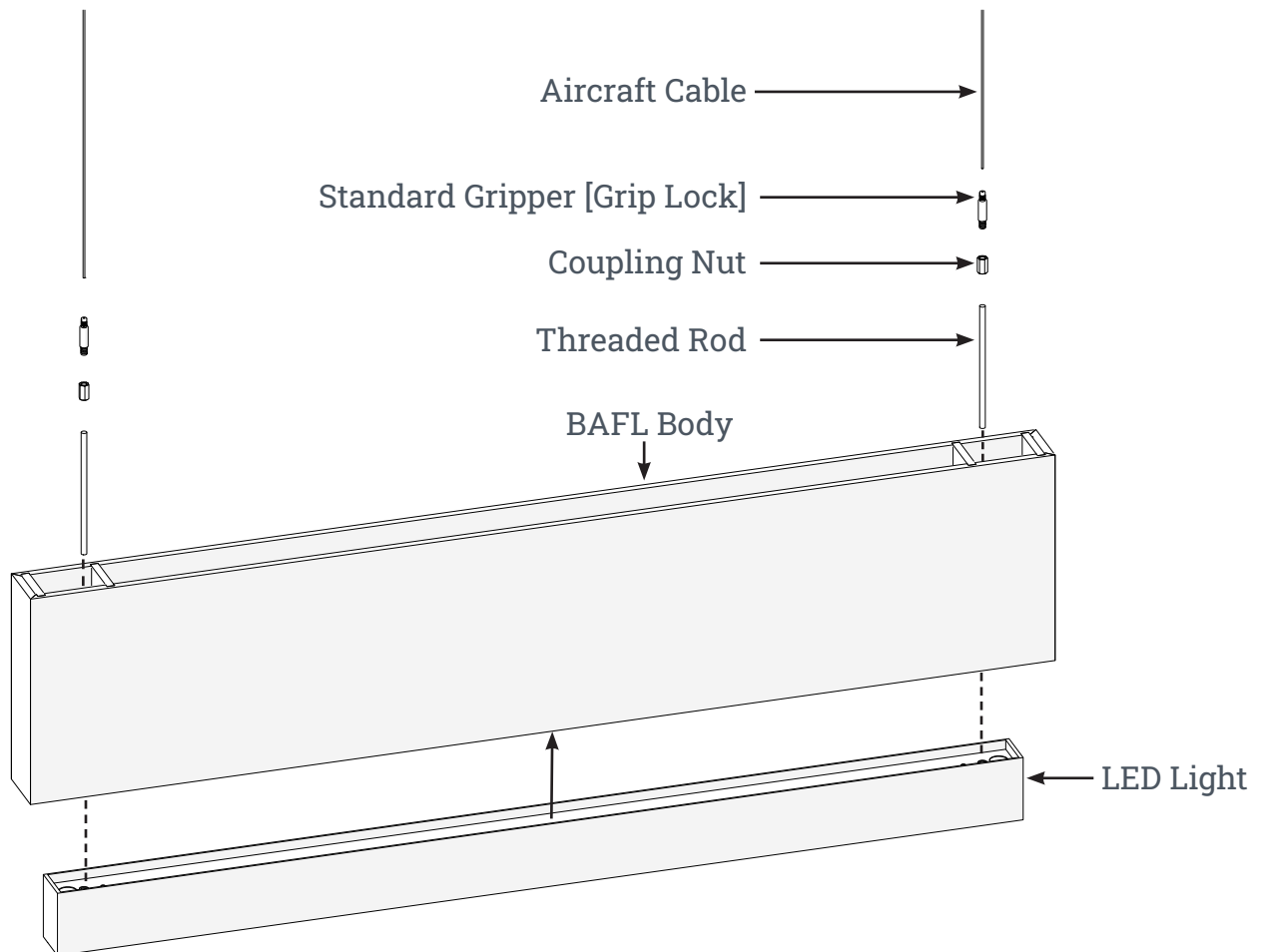
AVAILABLE DIMENSIONS



NOTE: The length of the LED light is slightly smaller than the total length of the BAFL.

BAFL BLADE LIT

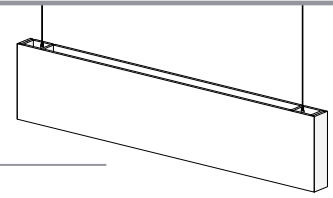
HARDWARE OVERVIEW



Standard hardware package shown. Contact support@frasch.com to evaluate your site conditions and select the appropriate hardware for your application.

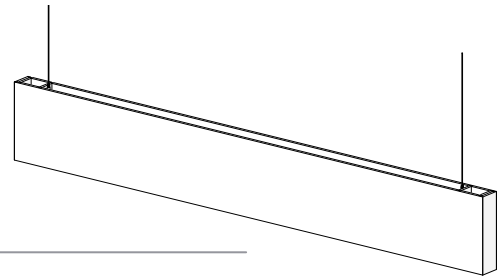
BAFL BLADE LIT

47.24" LENGTH



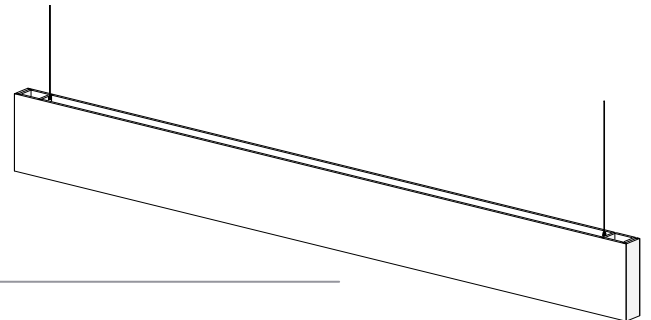
ITEM NUMBER	L	H	D	VOLTAGE	LUMEN	WATTAGE	TEMPERATURE	DIMMING CAPABILITY	WIRING CABLE LENGTH	BODY COLOR
LGT--L23PSF44-WHT*	44.53"	3"	2"	AC120-277V	4400	28	3500K	0-10V	6'	WHITE
LGT-LINR-CTSW-2X3X44.5-WH	44.53"	3"	2"	AC120-277V	105 LM/W	30/40/50	3500/4000/5000K	0-10V	9'	WHITE

71.97" LENGTH



ITEM NUMBER	L	H	D	VOLTAGE	LUMEN	WATTAGE	TEMPERATURE	DIMMING CAPABILITY	WIRING CABLE LENGTH	BODY COLOR
LGT--L23PSF66.65-WHT*	66.65"	3"	2"	AC120-277V	6600	42	3500K	0-10V	6'	WHITE

95" LENGTH



ITEM NUMBER	L	H	D	VOLTAGE	LUMEN	WATTAGE	TEMPERATURE	DIMMING CAPABILITY	WIRING CABLE LENGTH	BODY COLOR
LGT--L23PSF89-WHT*	89.17"	3"	2"	AC120-277V	8800	28	3500K	0-10V	6'	WHITE
LGT-LINR-CTSW-2X3X89.1-WH	89.17"	3"	2"	AC120-277V	105 LM/W	60/80/100	3500/4000/5000K	0-10V	9'	WHITE

*NOTE FOR LGT--L23P ITEMS:
 COLOR FINISH-BLACK/SILVER AVAILABLE (PRICE WILL VARY)
 COLOR TEMPERATURE-3000K/4000K AVAILABLE (PRICE WILL VARY)
 LONGER LEAD TIMES MAY APPLY.

All fixtures feature a snap-in frosted acrylic lens with an 85% transmission rating, designed for LED lights.

LED lights are shipped separately from BAFL units.

Two-year limited warranty guarantees all of our products are free from defects in the materials and maintain their quality of craftsmanship. See our two-year warranty sheet for full details.