



## 3D HEX

Fräsch was founded on the belief that creating healthy and beautiful office environments leads to a happier and highly motivated workforce.



## 3D HEX

### Acoustical Wall Tile

3D HEX is a beautiful, yet simple geometric pattern that adds dimension and depth to any environment. Each individual hex shaped panel aligns tightly to the next to form the overall shape. Hex acoustic panels are customizable with a range of colors.

**Application** Wall

	L	W	H	WEIGHT
<b>3D HEX TILE</b>	13.11"	15.13"	.6"	.22 lbs.

### Hardware

Default: Roberts 3095 Carpet Adhesive, Heavy Duty Liquid Nail

**Material Content** 9 mm 100% PET (55% recycled content)

**Fire Rating** Class A per ASTM E-84, based on 9mm white

### Acoustics

Frequency (Hz)	250	500	1K	2K	NRC
<b>NRC</b>	0.04	0.16	0.40	0.63	<b>(0.30-0.75)</b>
<b>Sabins per m<sup>2</sup></b>	2.87	11.48	29.15	45.01	

Test was conducted while product was in its actual installation setting

All NRC testings assumes one face/one object and does not account for the product thickness

### Environment

Low VOC  
Post-Consumer Recycled Content  
100% Recyclable

### Installation

Simply glue one 3D HEX at a time and easily cuts to fit your wall space. Another alternative is to lay out your space and mount the Impaler Clip to the wall with sheetrock screws and press 3D HEX to secure it to the wall.

### Country of Origin

USA

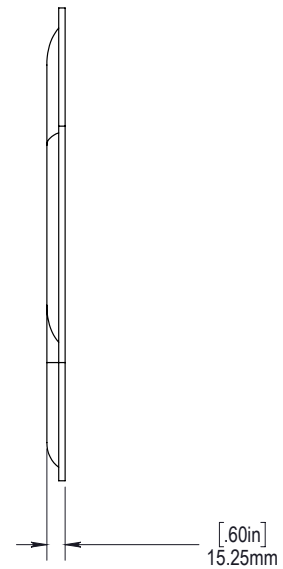
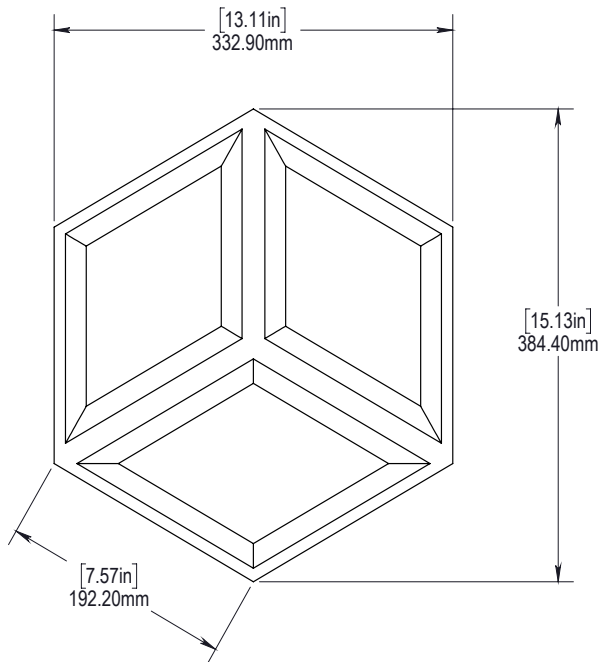
### Warranty

2 Years

## HEX FLAT

### AVAILABLE DIMENSIONS

Two layers of 9mm  
PET pressed together

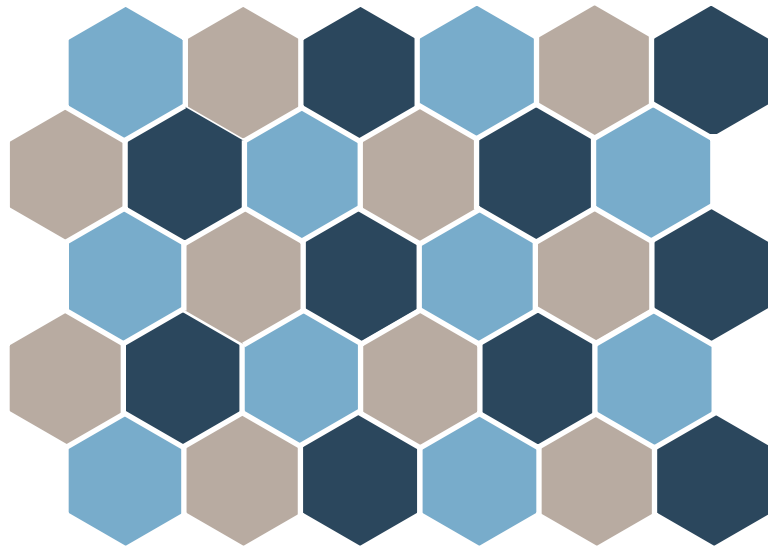


# 3D HEX

## SUGGESTED ARRANGEMENTS



Pattern 1



Pattern 2