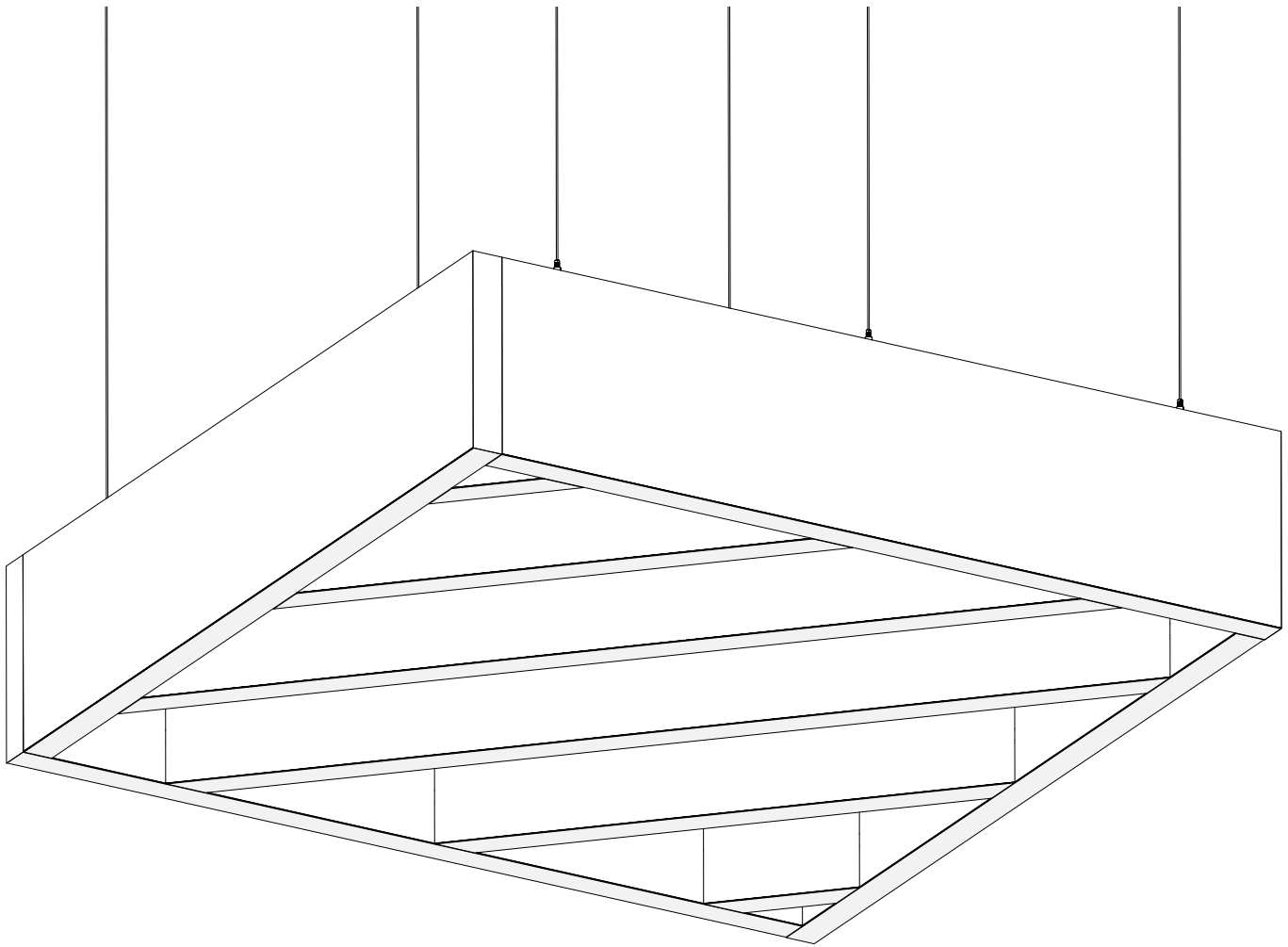
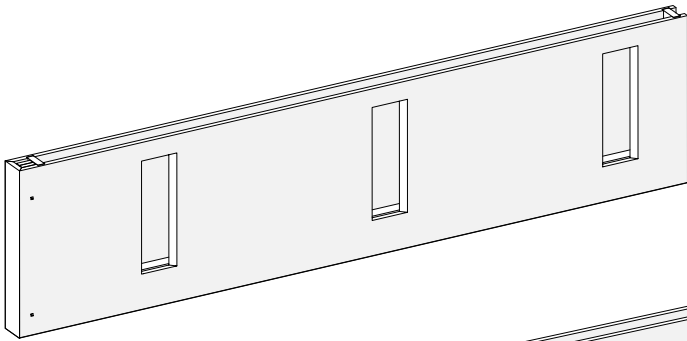


WAFL BAFL

INSTALLATION INSTRUCTIONS

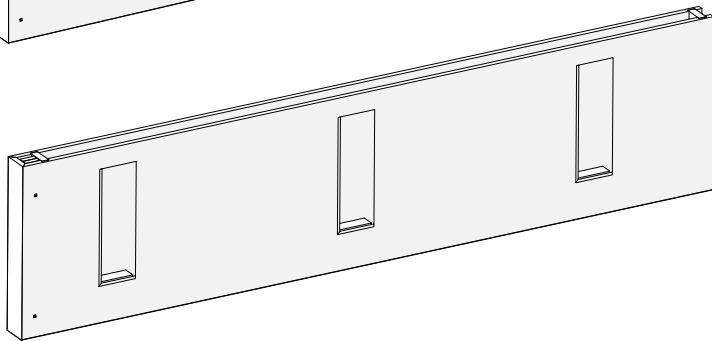


WAFL BAFL: INCLUDED COMPONENTS



Side Panel [A]

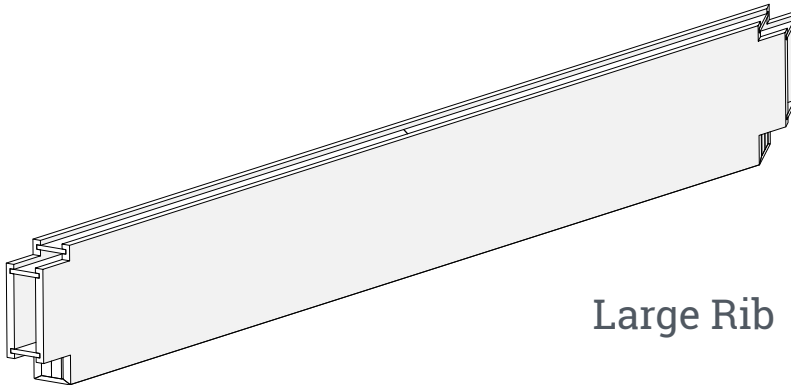
x2



Side Panel [B]

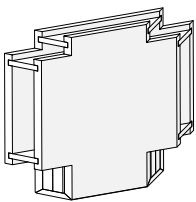
x2

NOTE: Side panels A & B have different rib pocket angles.



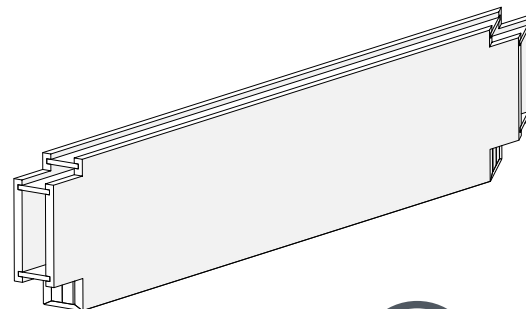
Large Rib

x2



Small Rib

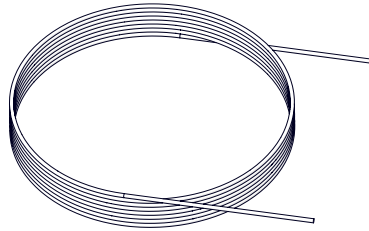
x2



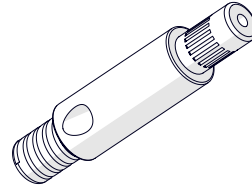
Medium Rib

x2

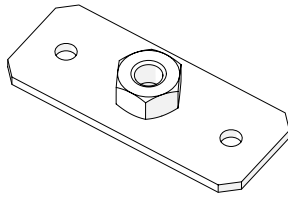
WAFL BAFL: INCLUDED HARDWARE



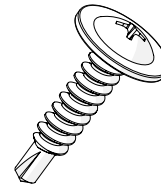
Aircraft Cable **9ft**



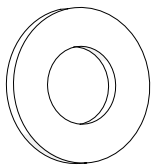
Grip Lock **x6**



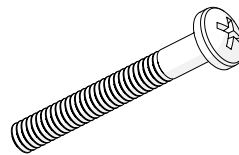
Flat Bracket **x6**



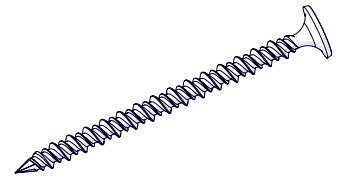
Self Drilling
#8 3/4" Screw **x12**



1/4"-20 Washer **x8**



1/4"-20 Pan Head Bolt **x8**

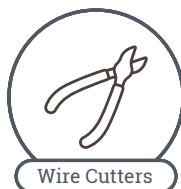


Wood Screw **x12**

REQUIRED TOOLS



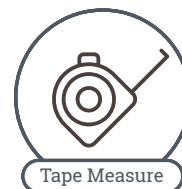
Level



Wire Cutters



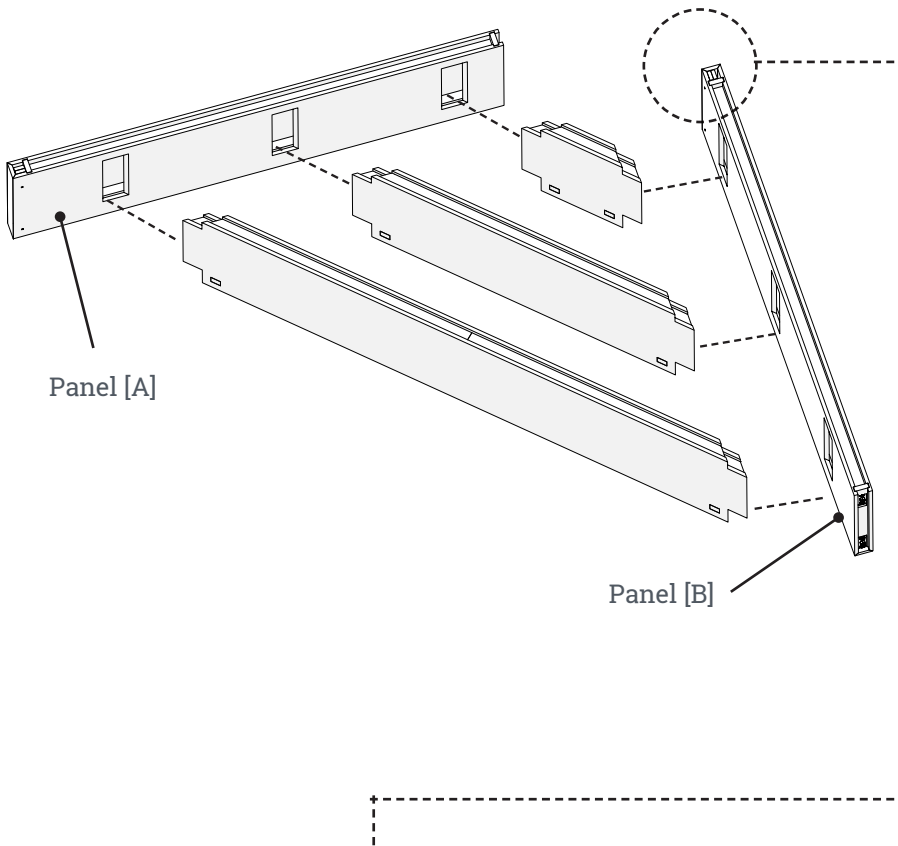
Power Drill



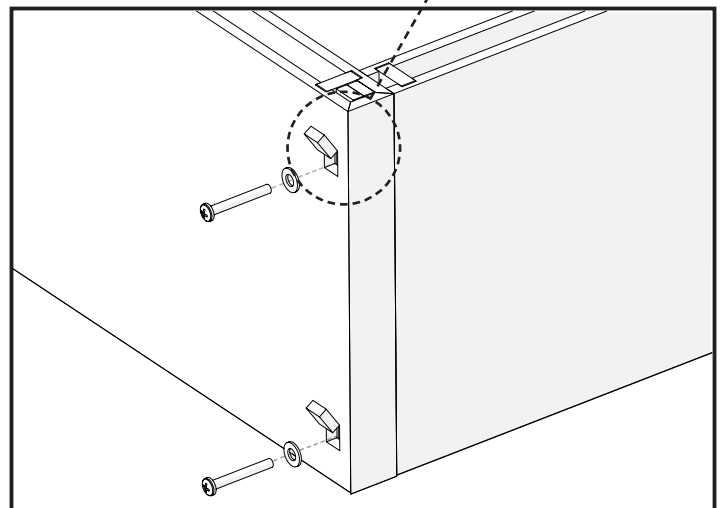
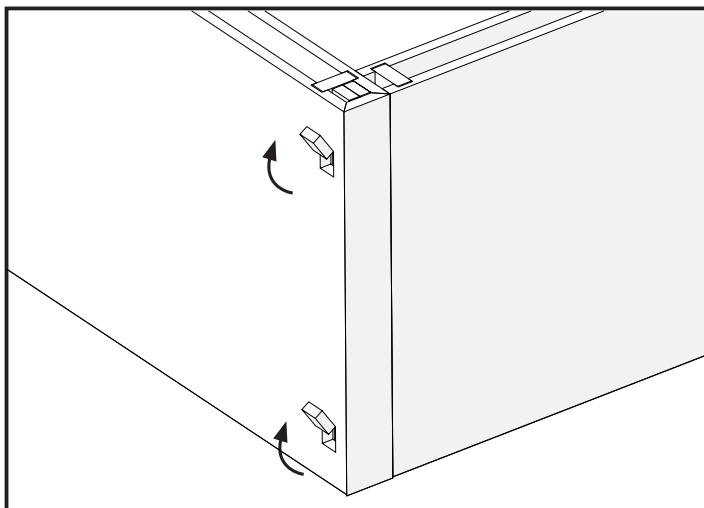
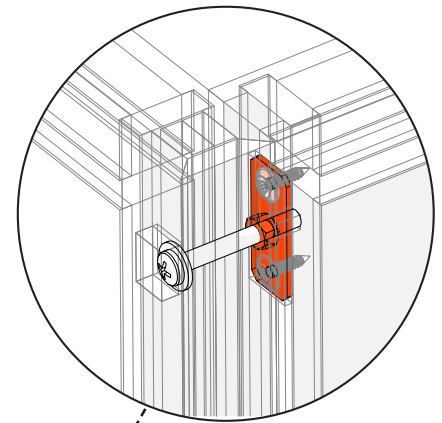
Tape Measure

WAFL BAFL LIT: INSTALLATION INSTRUCTIONS

- 1 Assemble the side panels by joining them with the ribs as shown.



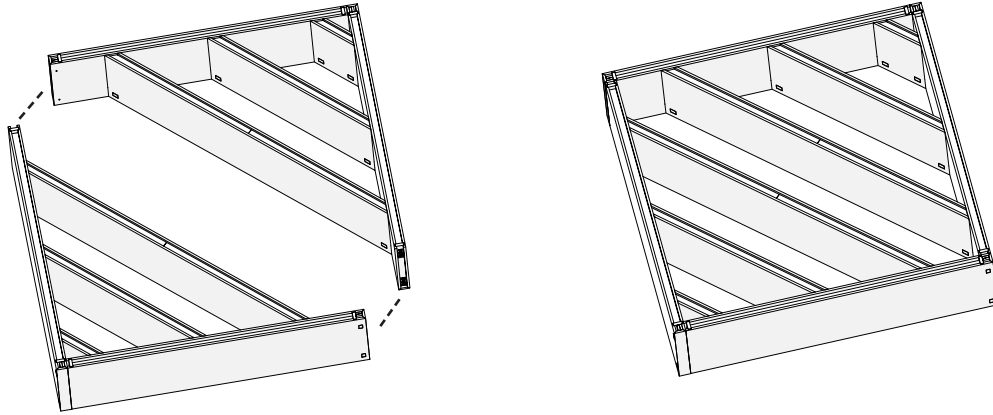
Ensure the bolt connects to the nut embedded in the panel. Once connected, **GENTLY** close the flap until it is flush. *Do not force the flap into the panel.*



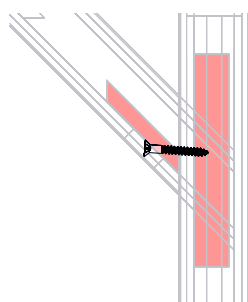
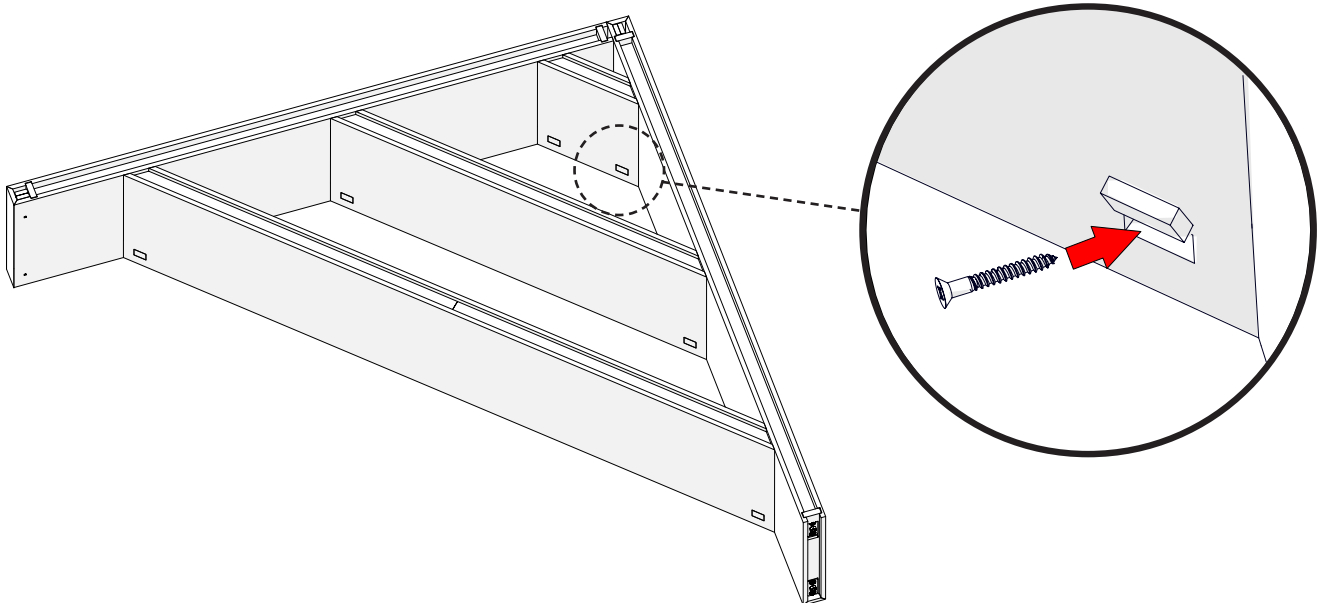
Flip the access flaps upward and fasten the panels together with the provided bolts and washers through the openings. **DO NOT OVERTIGHTEN.**

WAFL BAFL LIT: INSTALLATION INSTRUCTIONS

- 2** Complete the WAFL assembly as shown.



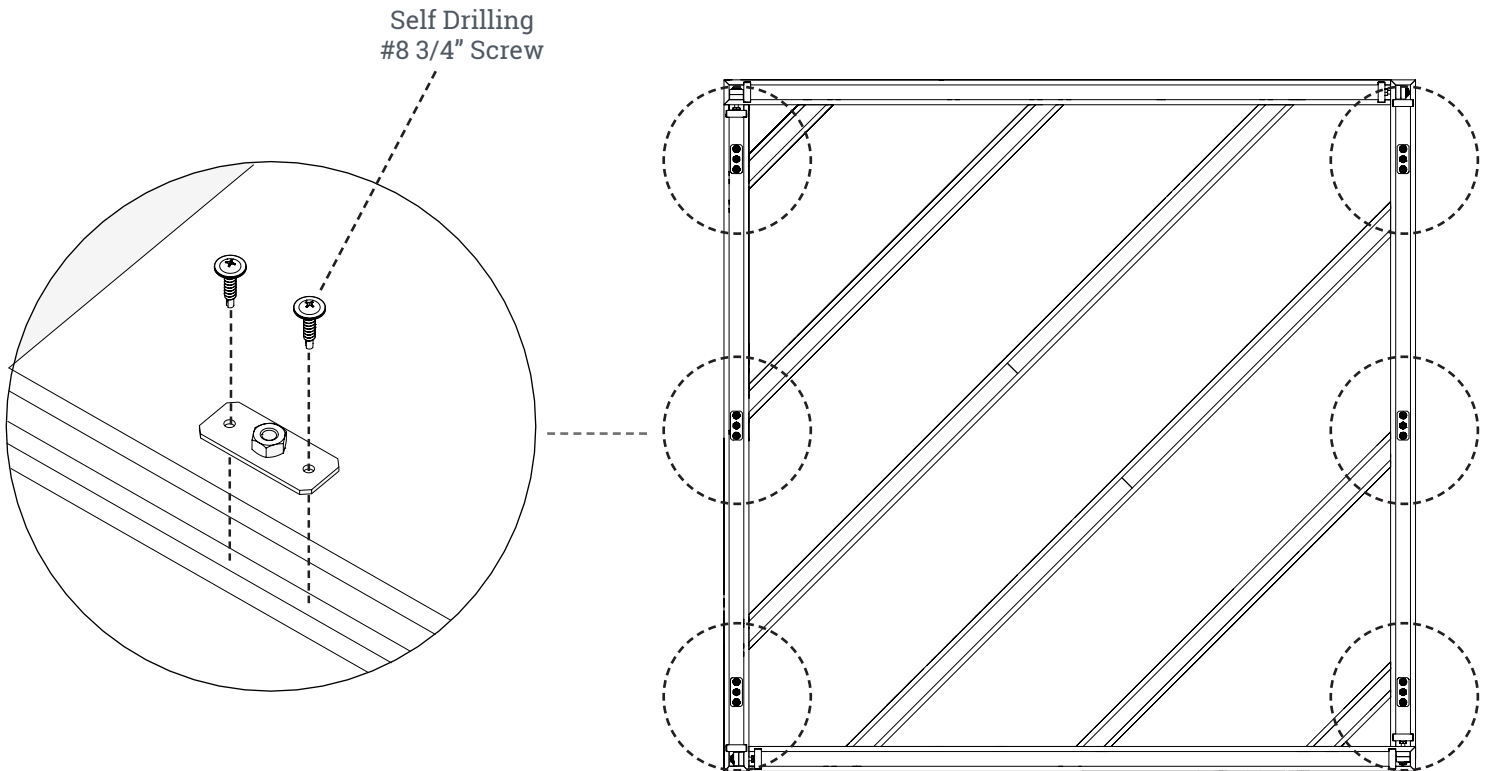
- 3** Locate the trapdoor hinges at the base of each rib and lift open. Drive the wood screws through the wood blocks in the rib, and into the panel. Each rib requires x2 screws.



Ensure the screw mounts through both wood blocks located inside each panel and rib (wood blocks shown in red).

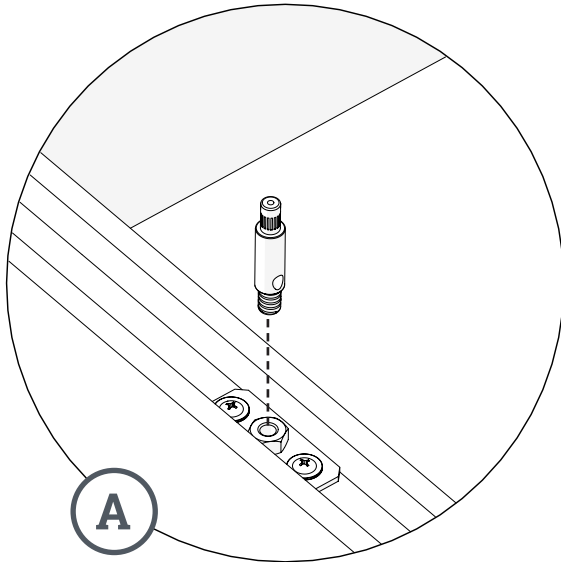
WAFL BAFL: INSTALLATION INSTRUCTIONS

- 4 Install the [x6] flat brackets with the provided screws at the locations illustrated below (approximate).

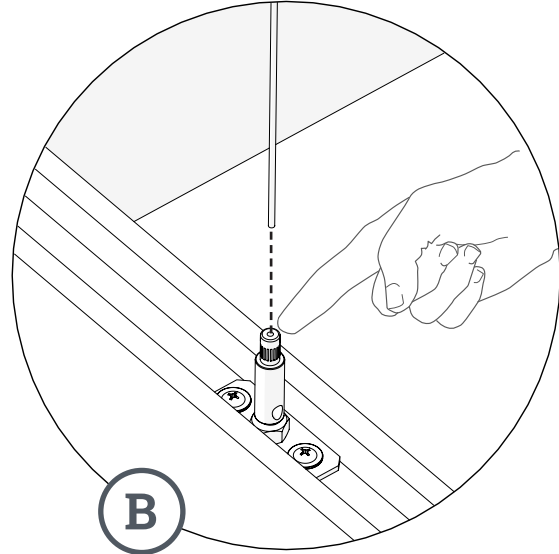


WAFL BAFL: INSTALLATION INSTRUCTIONS

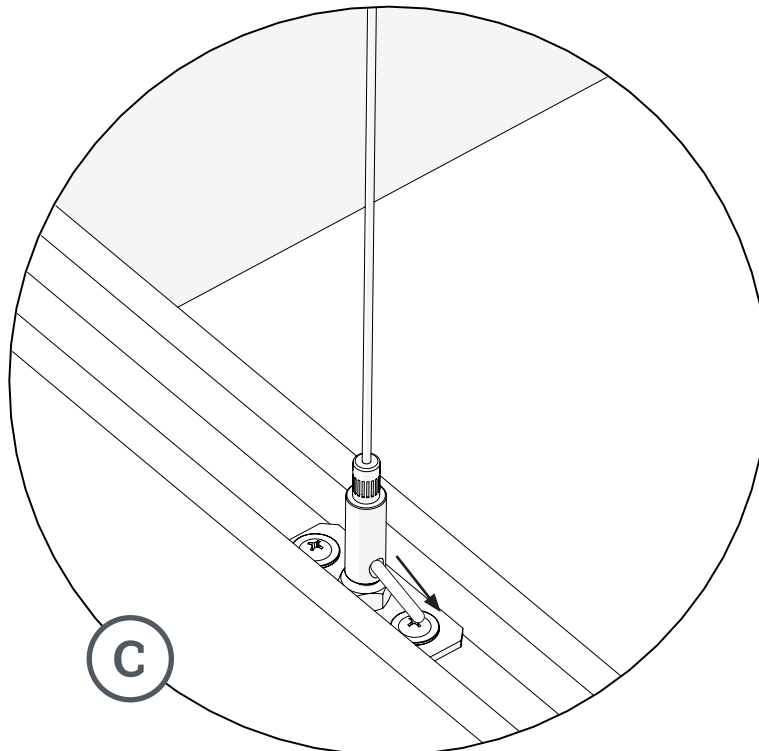
5 Install the suspension hardware as shown on all the assembled WAFL BAFLs.



A
Screw the Grip Lock into the flat bracket.



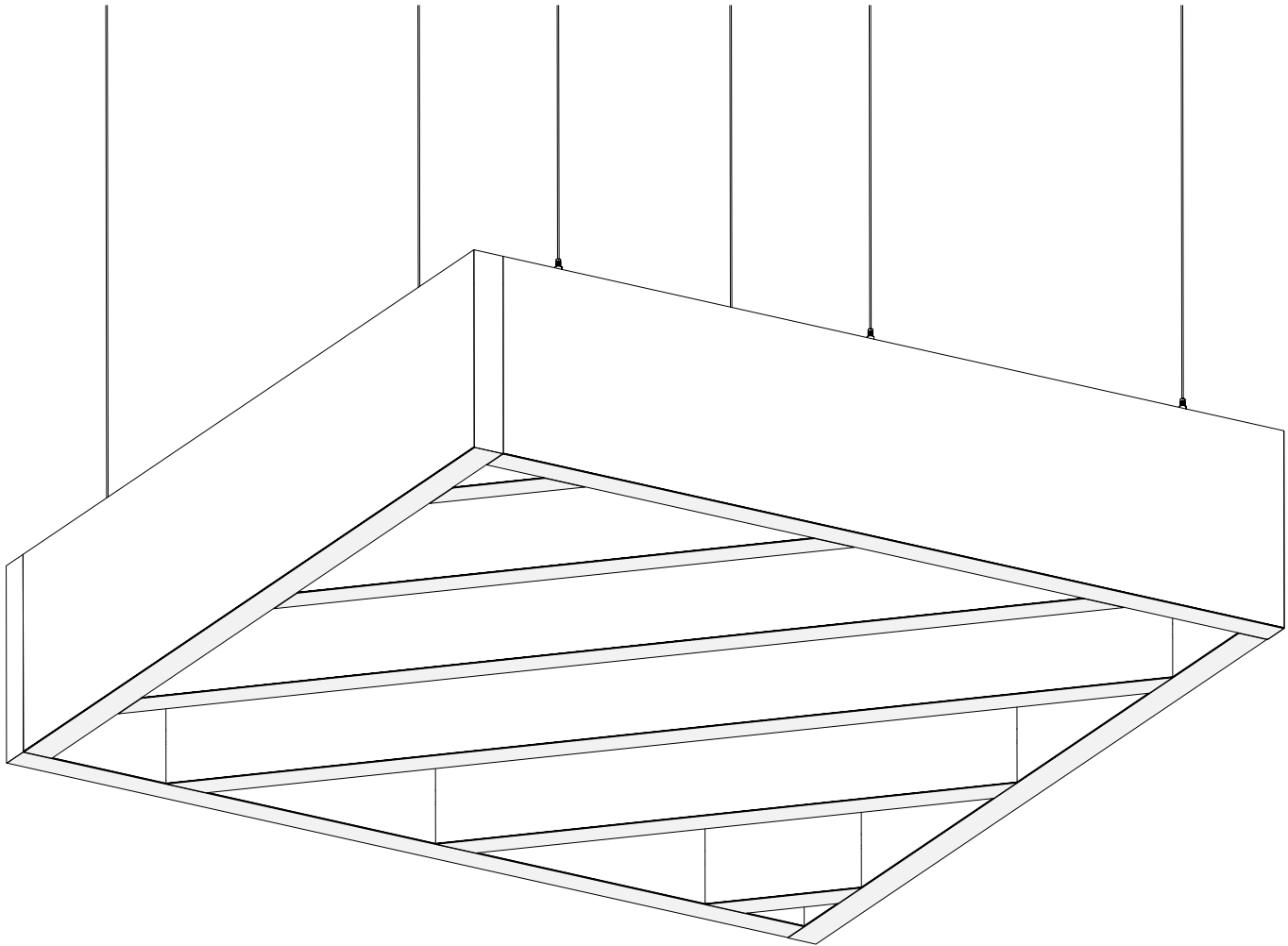
B
Press down on the plunger while inserting the cable.



C
Thread the cable through the side exit, and release the plunger to lock the cable in place.

WAFL BAFL: INSTALLATION INSTRUCTIONS

6 Hang and level WAFL BAFL according to your preferred method..



Installation complete.