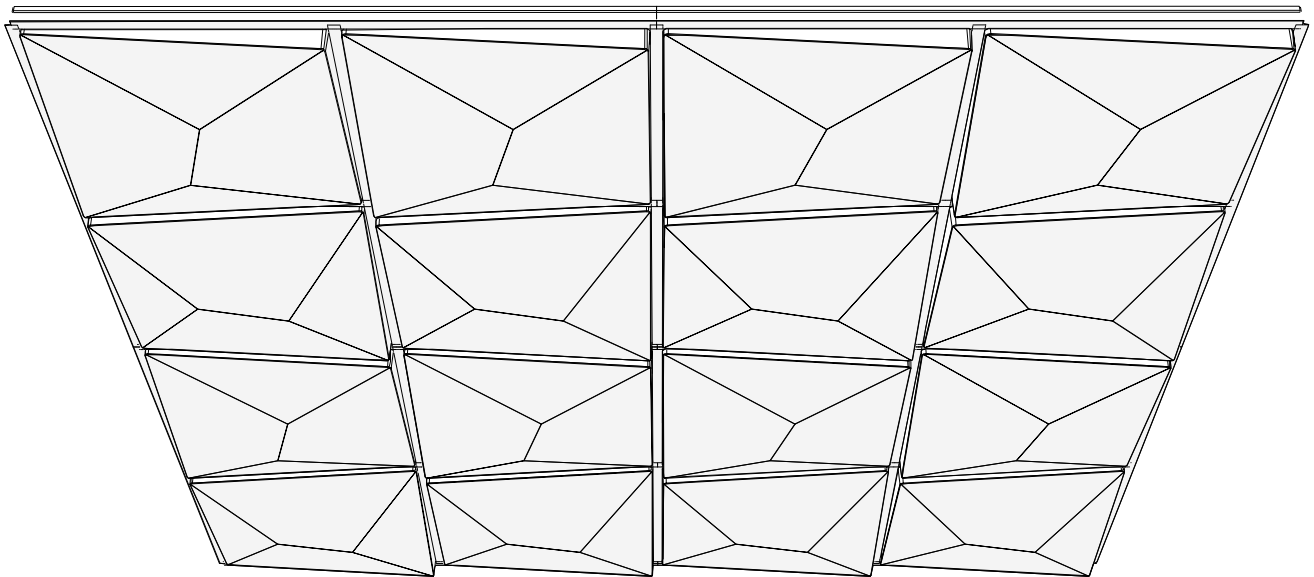


# VIBE (SOLID)

---

## 9/16" AND 15/16" T-GRID CEILING\* INSTALLATION INSTRUCTIONS

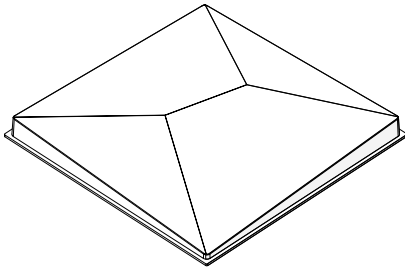


*\* 9/16" and 15/16" T-Grid not included. Follow the T-Grid manufacturer's instructions for proper installation.*

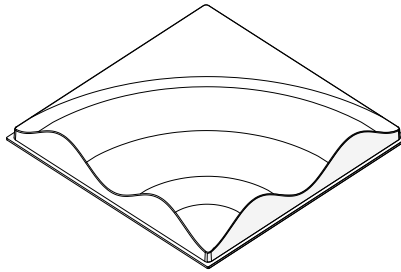
## VIBE (SOLID): INCLUDED COMPONENTS

---

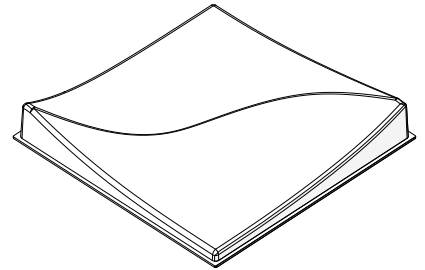
*Quantities dependent on order specifications.*



CLIF



NAMI



SWAY

VIBE (SOLID) Shapes

### OPTIONAL TOOLS

*Tools needed will depend on site conditions and obstacles.*

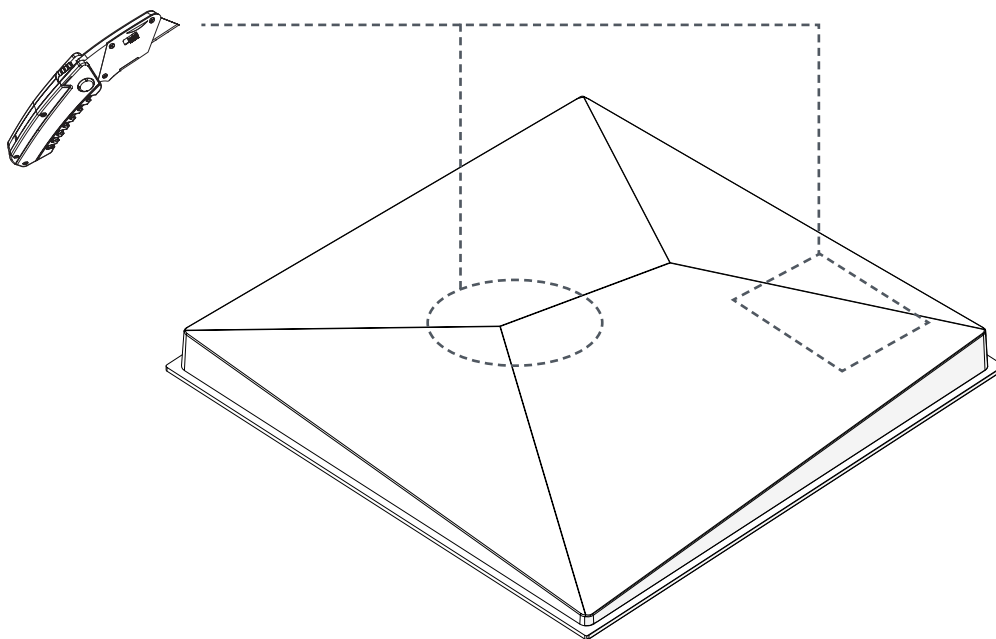


## VIBE (SOLID)

---

VIBE (SOLID) can be cut to fit around obstacles in the ceiling, such as light fixtures and sprinkler heads.

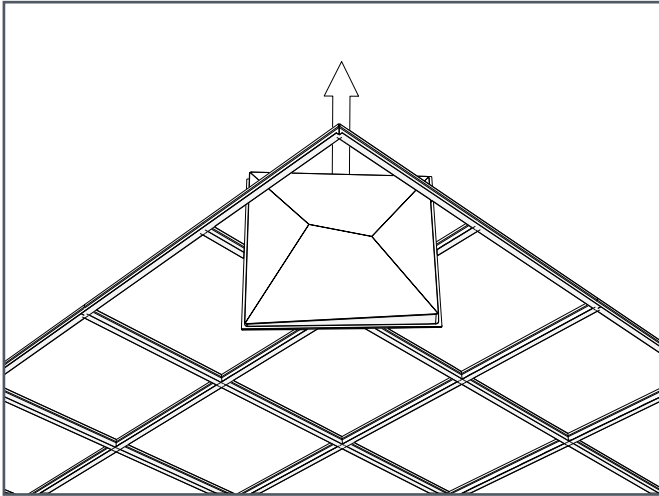
Mark all areas to be cut out, and cut with a knife.



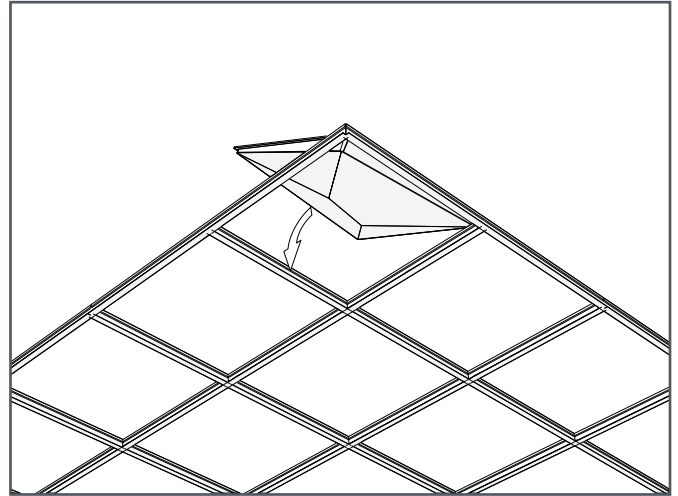
## VIBE (SOLID): INSTALLATION INSTRUCTIONS

---

1

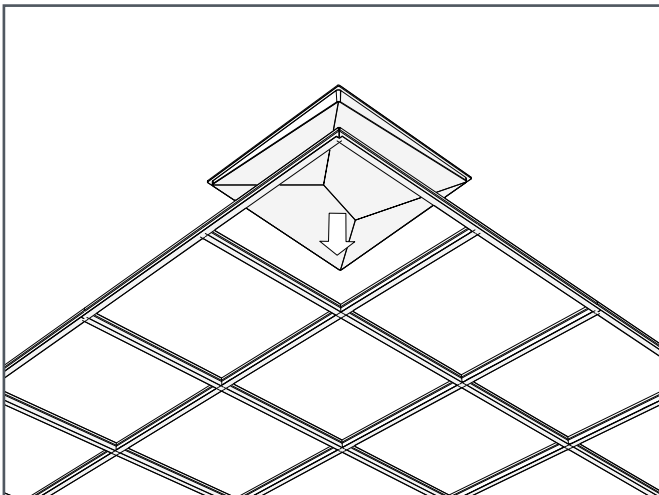


2

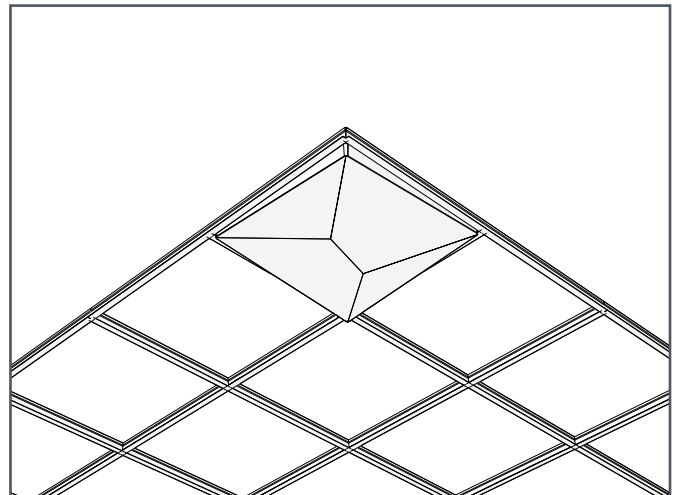


Insert the VIBE (Solid) into the existing 9/16" or 15/16" T-Grid cell at a diagonal angle. With the VIBE (Solid) on top of the T-Grid, rotate it into alignment with the T-Grid opening.

3



4



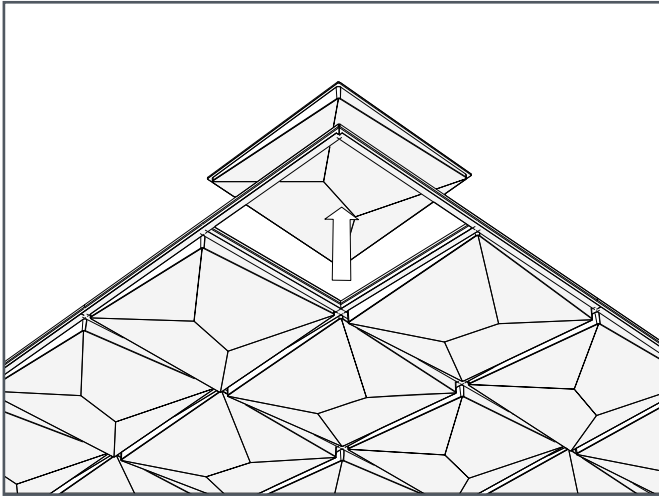
Drop the VIBE (Solid) into the T-Grid, and ensure it is secure. Repeat for the adjacent VIBE (Solid).

## Installation Complete.

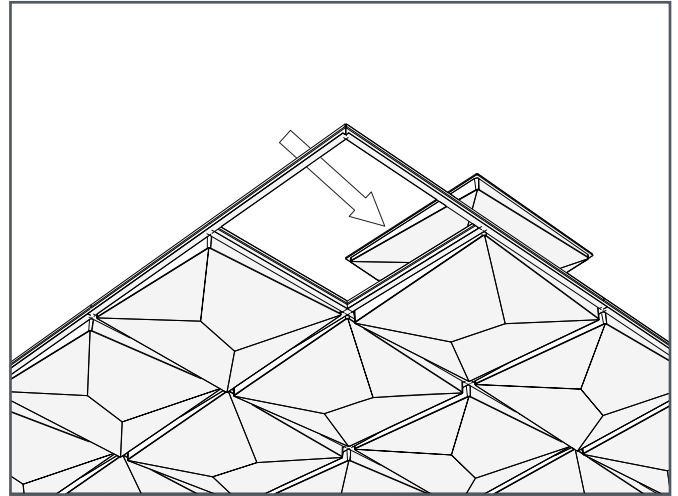
## VIBE (SOLID): ACCESS PANEL INSTRUCTIONS

---

①



②



VIBE (Solid) can act as an access panel. Push up on the panel and push it over the top of the T-grid to access the space above the T-grid ceiling. Reverse the process to reinstall the panel.