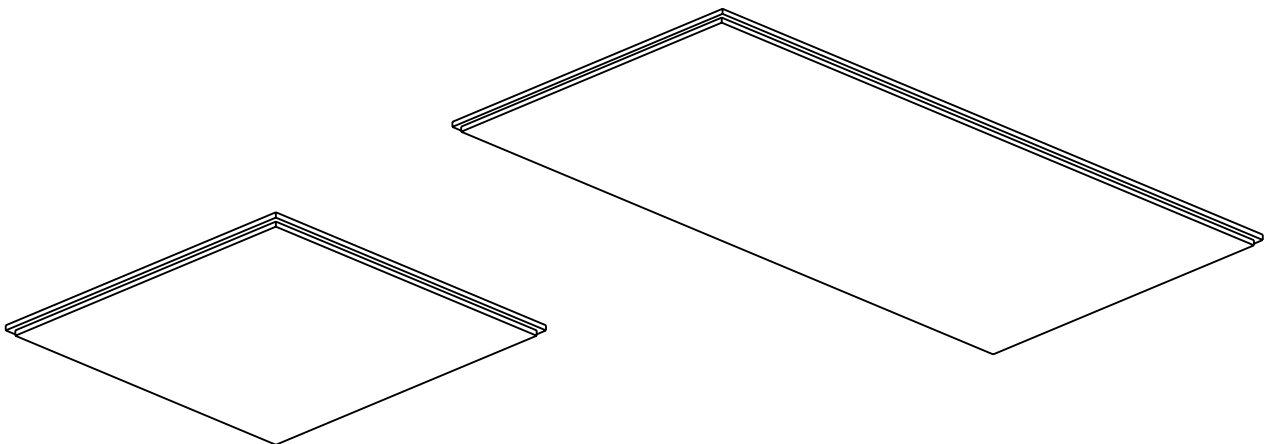
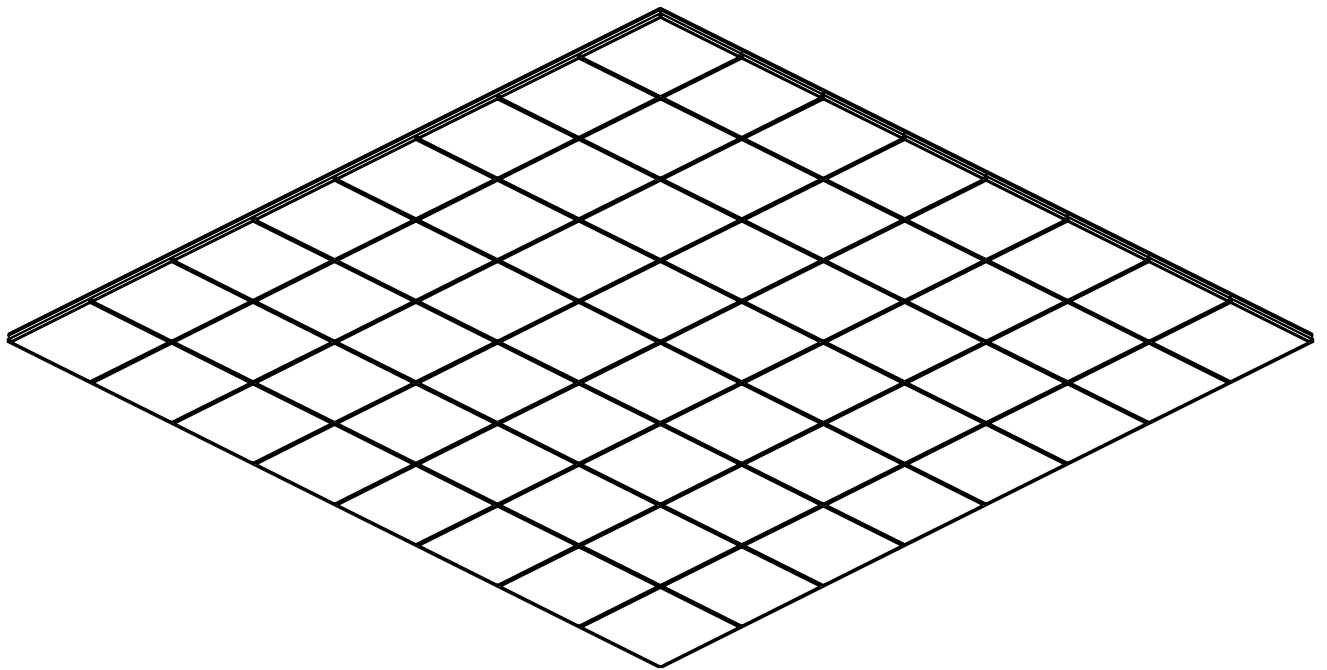


fräsch!

VIBE TILE

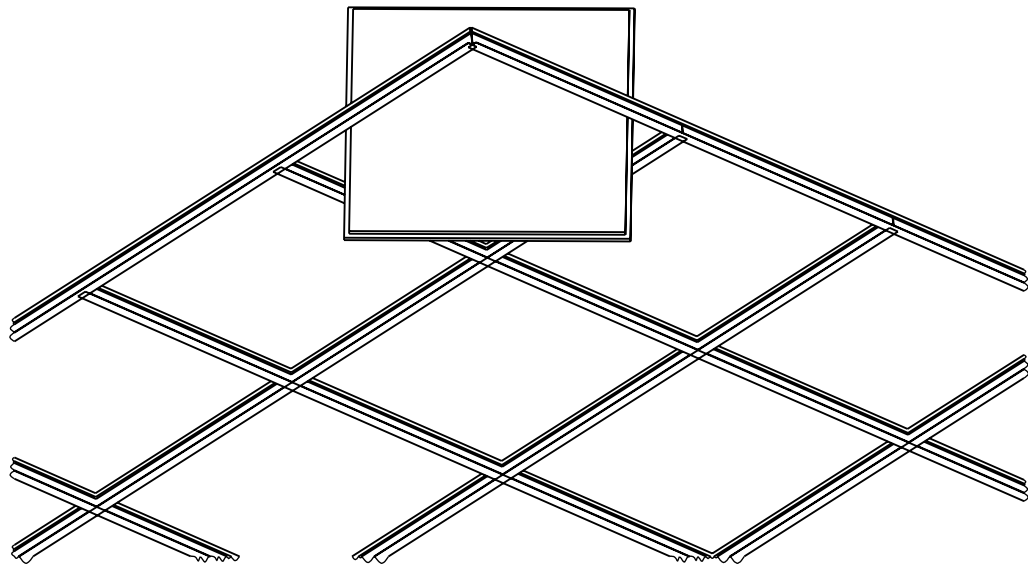
INSTALLATION INSTRUCTIONS



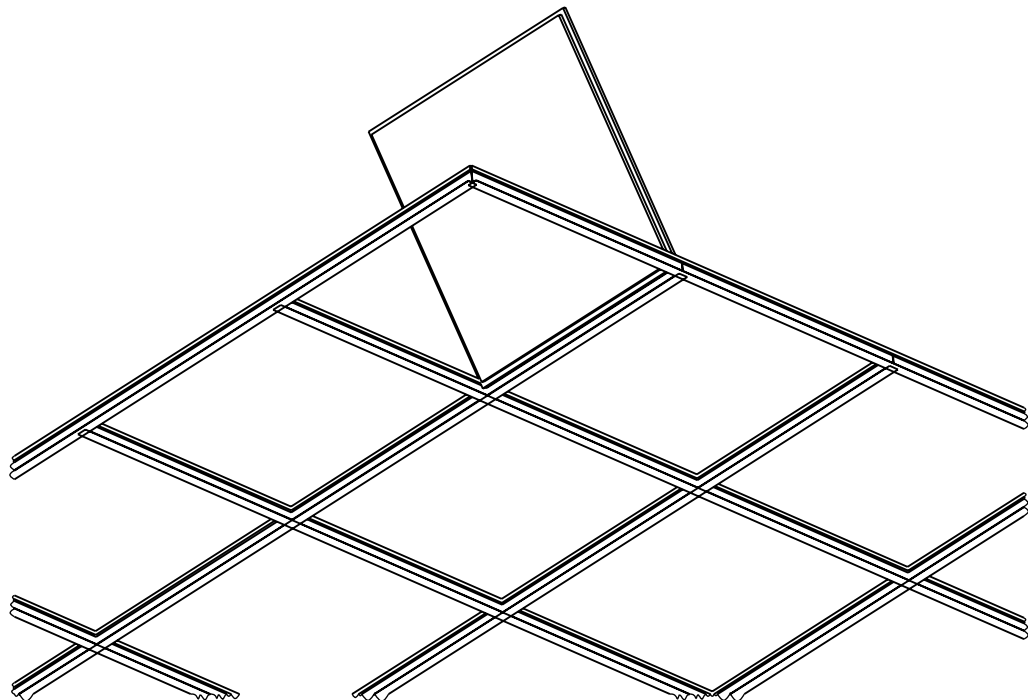
VIBE TILE

INSTALLATION INSTRUCTIONS

STEP 1) ROTATE THE VIBE TILE SO IT FITS THROUGH THE OPENING IN THE T-GRID.



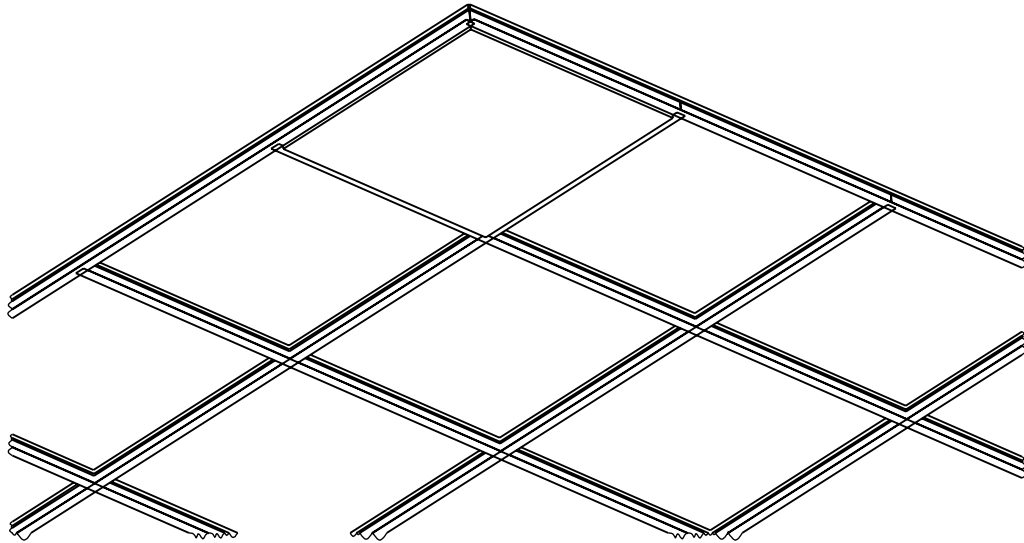
STEP 2) PROP THE VIBE TILE AGAINST A SHORT EDGE OF THE T-GRID.



VIBE TILE

INSTALLATION INSTRUCTIONS

STEP 3) DROP THE VIBE TILE INTO PLACE.



STEP 4) (OPTIONAL) USE A UTILITY KNIFE TO MAKE CUTS FOR ANY OBSTACLES SUCH AS SPRINKLER HEADS OR VENTS.



REPEAT THESE INSTRUCTIONS FOR ADDITIONAL VIBE TILES OF ALL SIZES.

INSTALLATION COMPLETE