

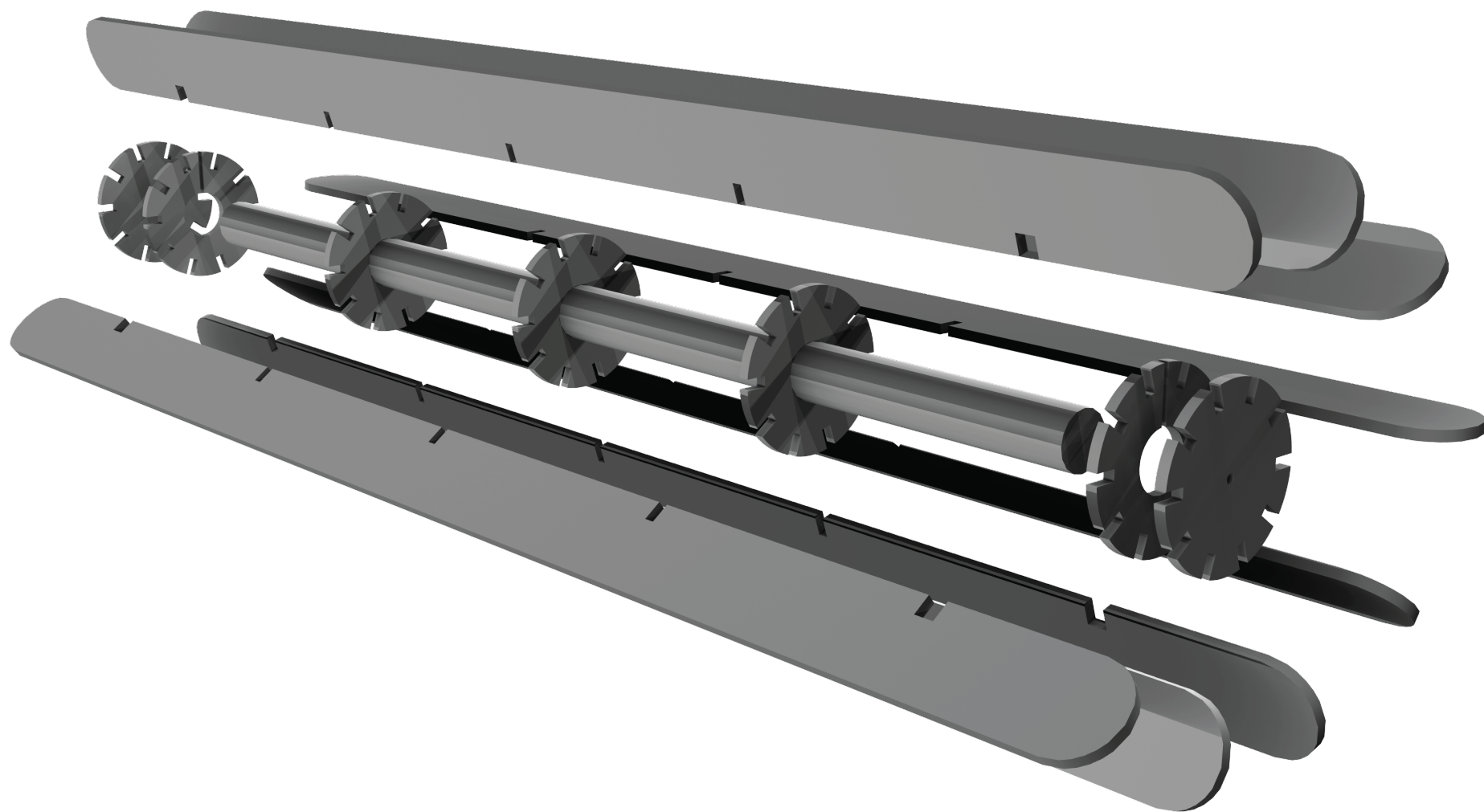
**fräsch!**

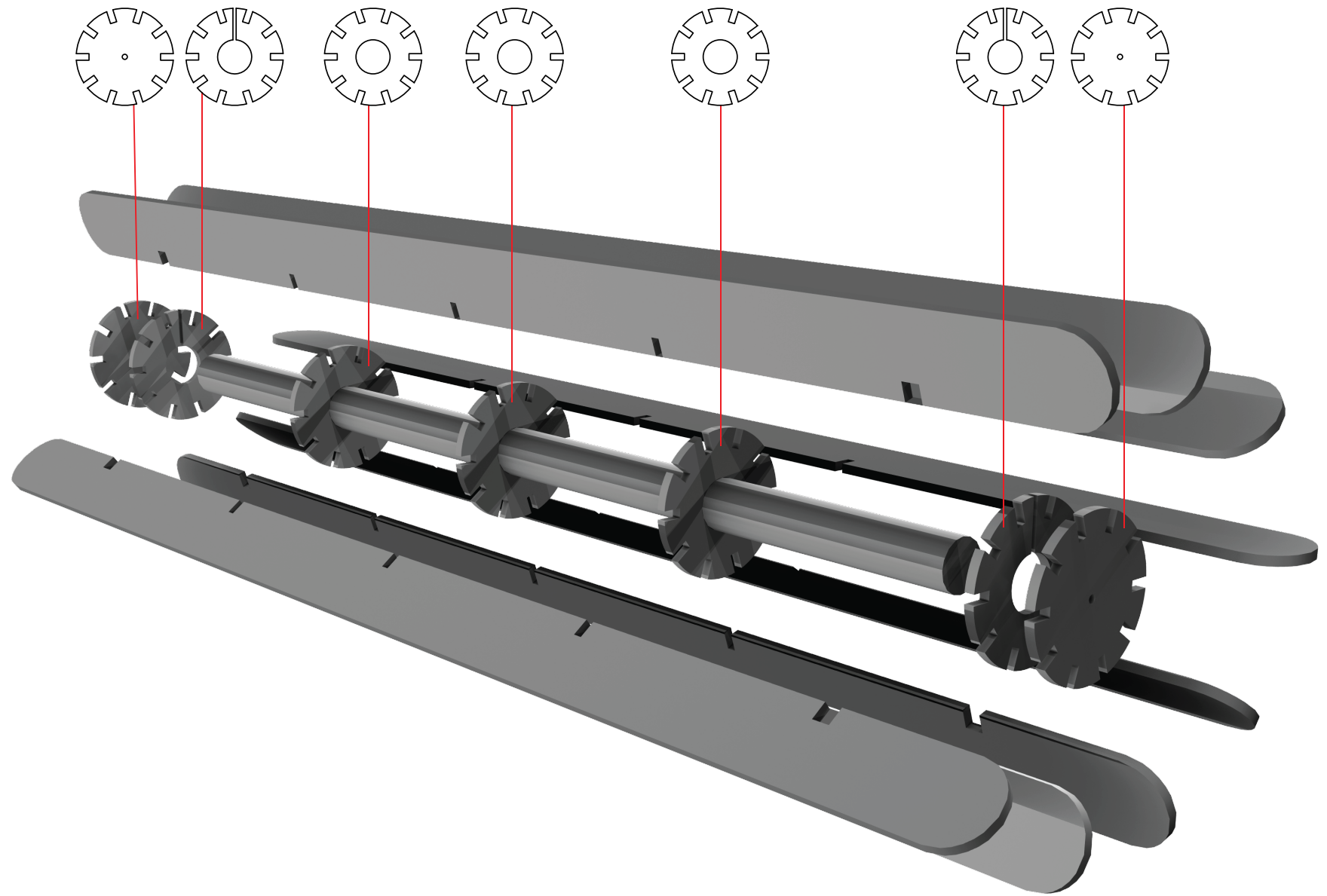
Designed by **1Six8**

in association with

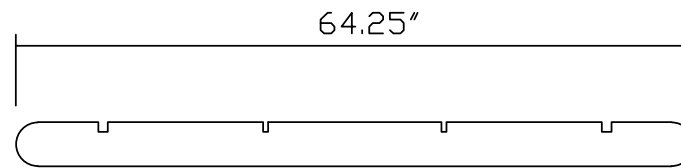
# TIMBER GLOW

Installation Instructions

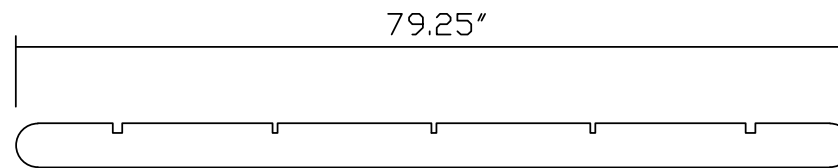




47.75" LUMINAIRE



60" LUMINAIRE



14six8



***fräsch!***

**Telephone**

682 200 3005

**Email**

[quotes@frasch.co](mailto:quotes@frasch.co)

**Website**

[www.frasch.co](http://www.frasch.co)

**Address**

609 112th Street, Suite A  
Arlington, Texas 76011, USA