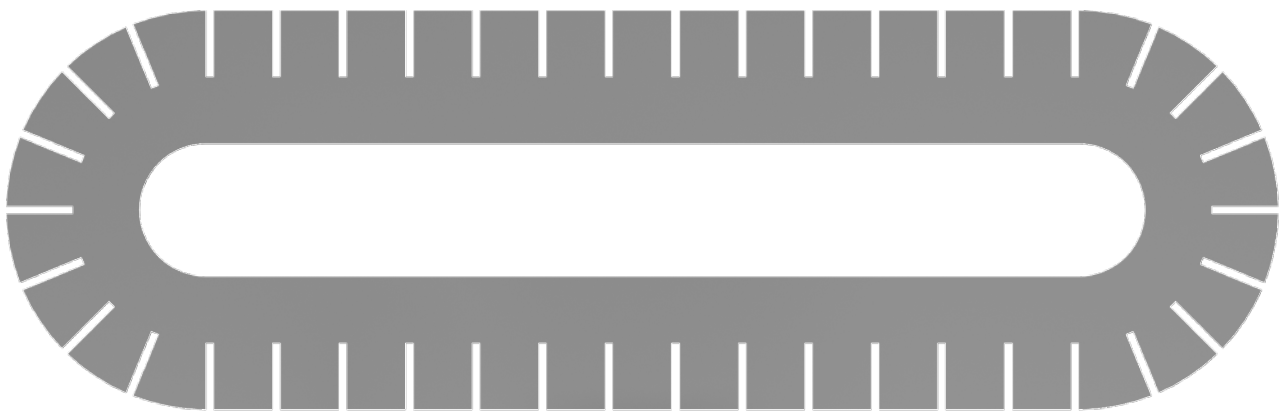


StratoScape

PRIME

Assembly Instructions

Components

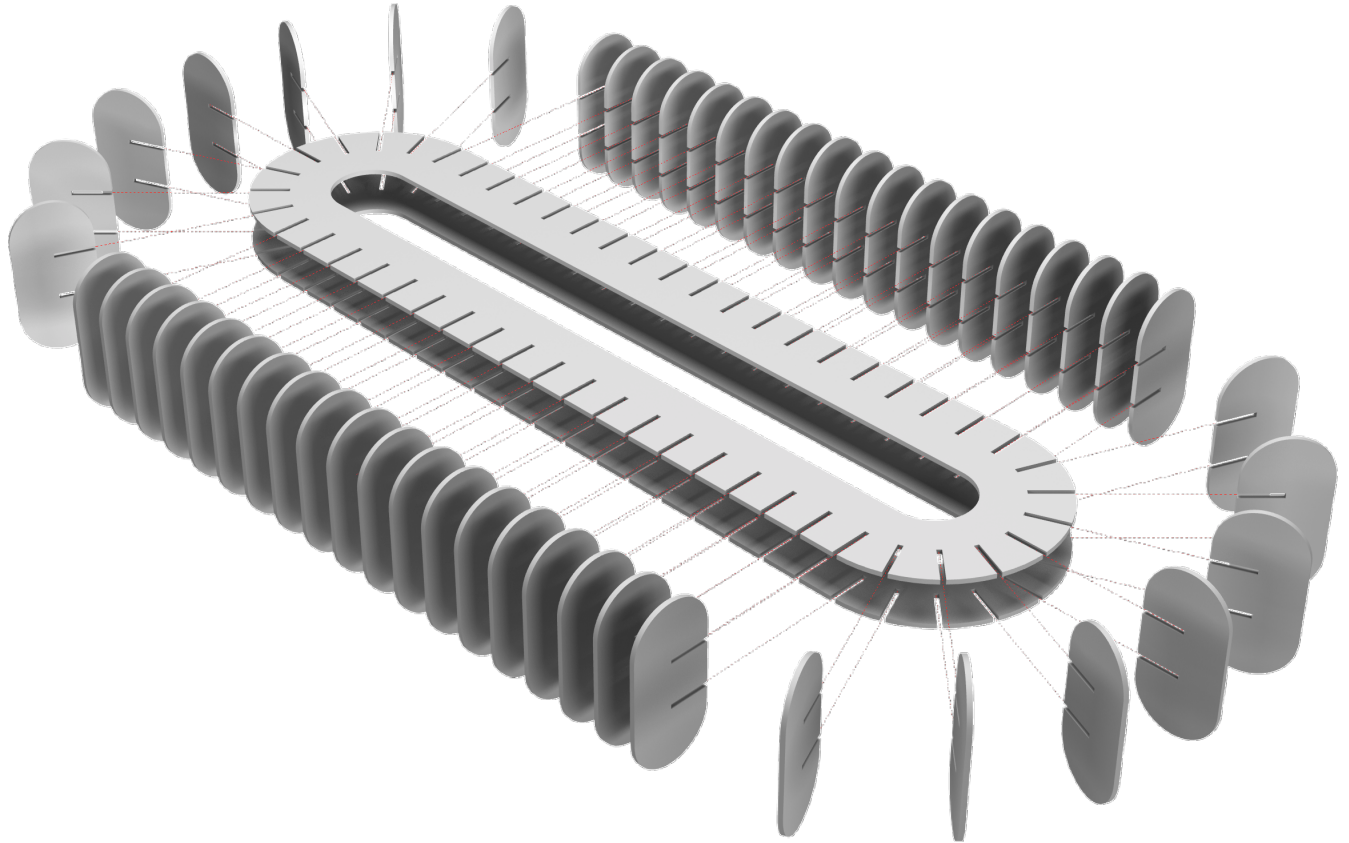


2

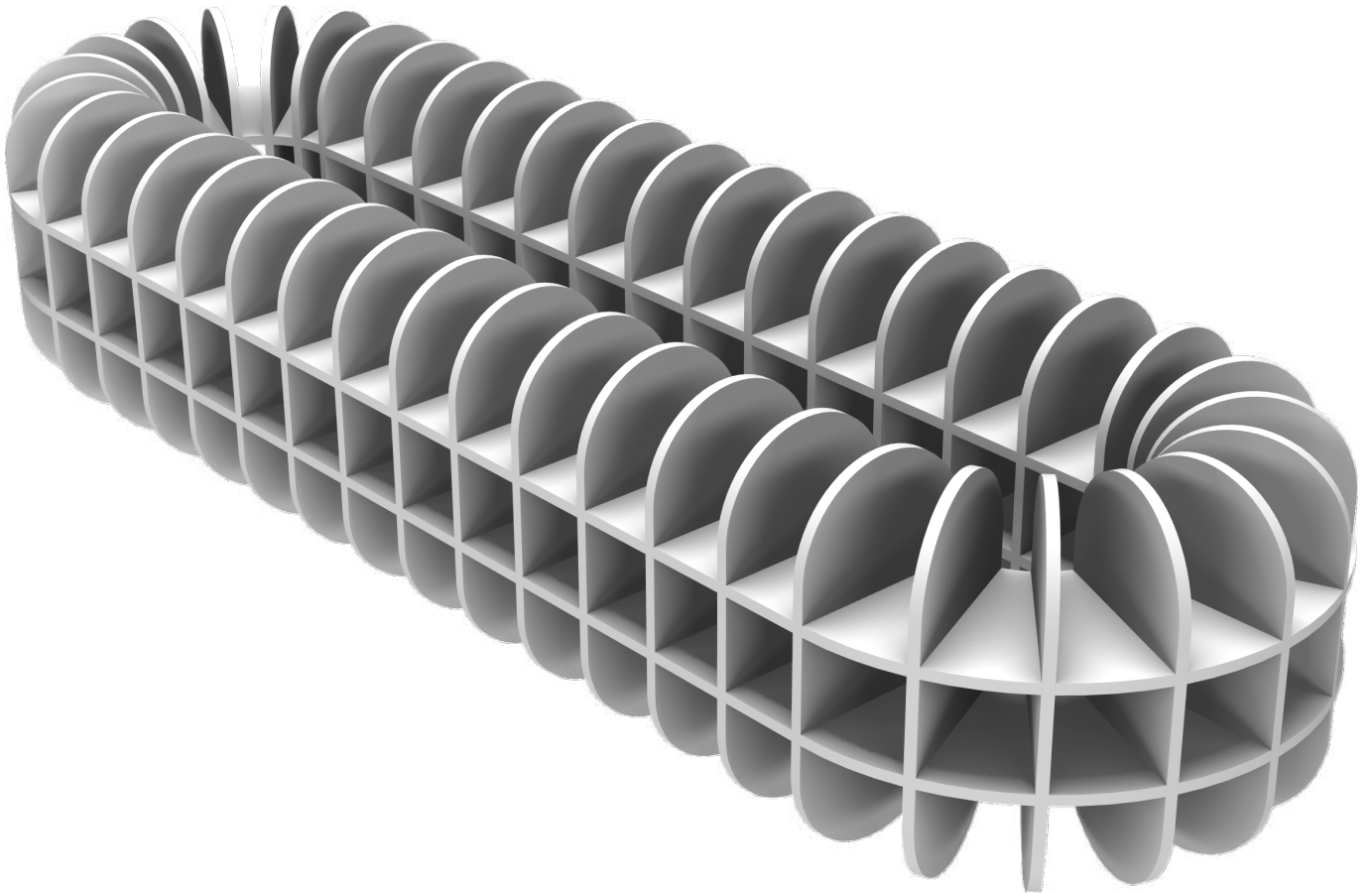


42

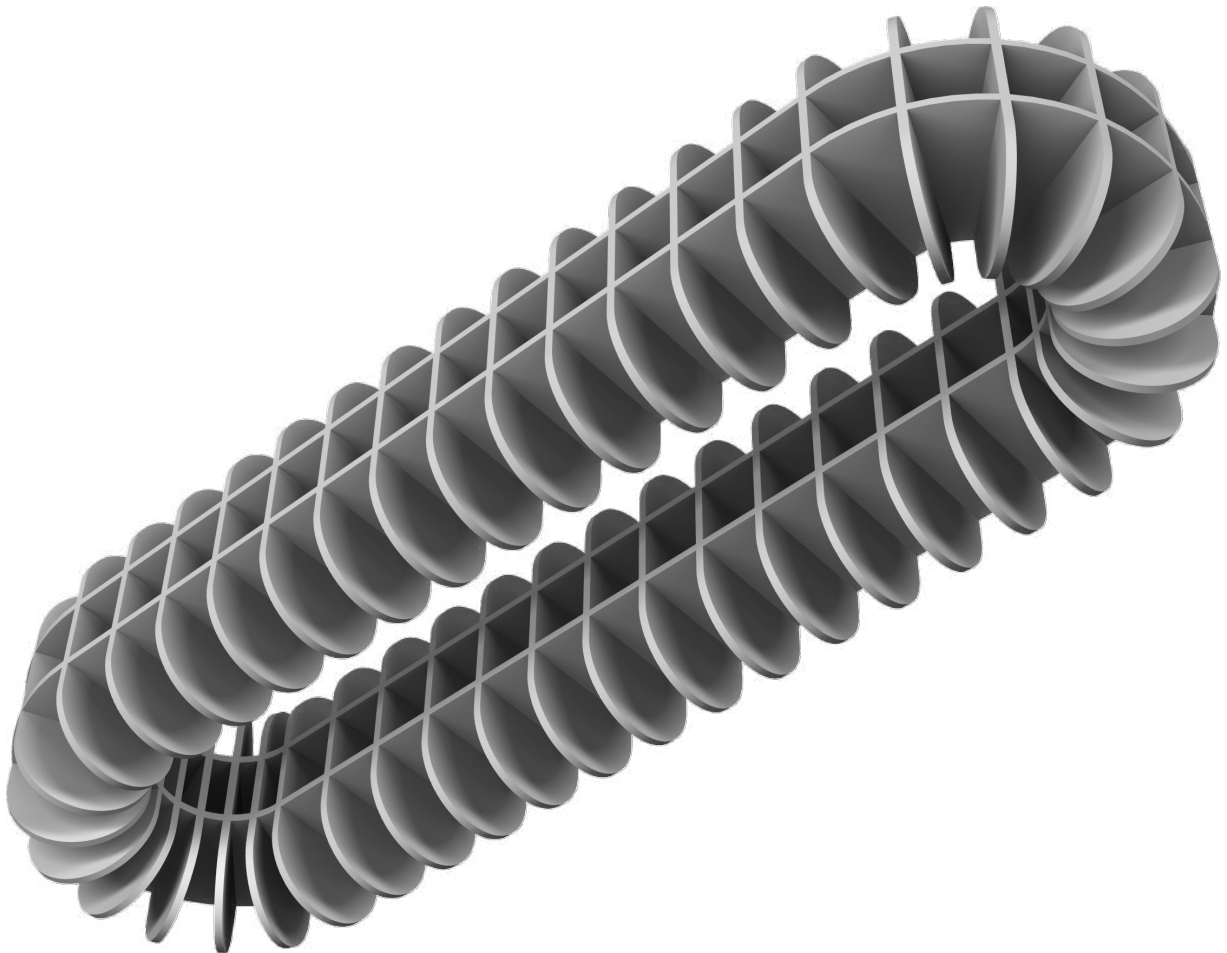
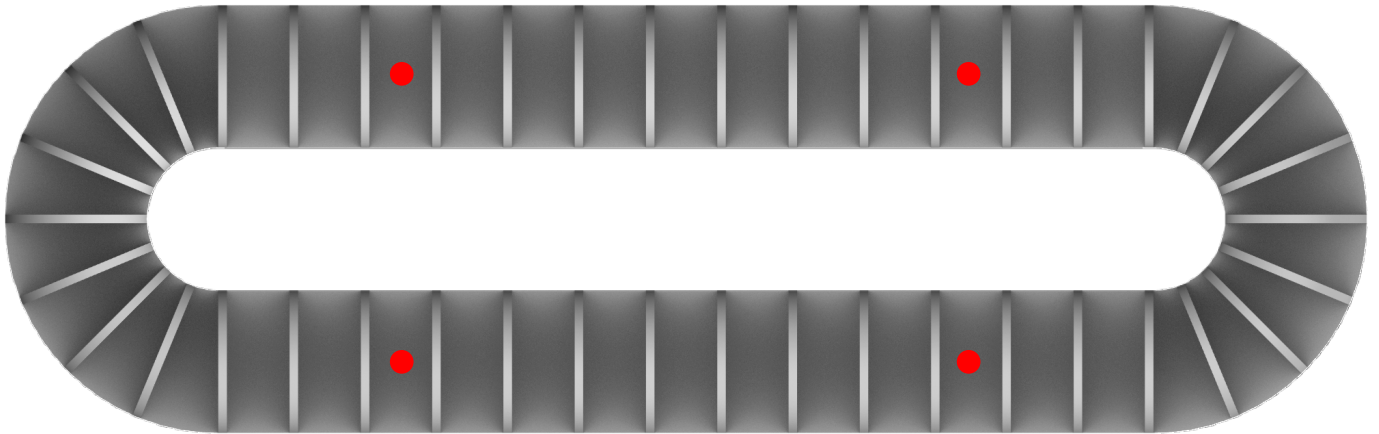
01

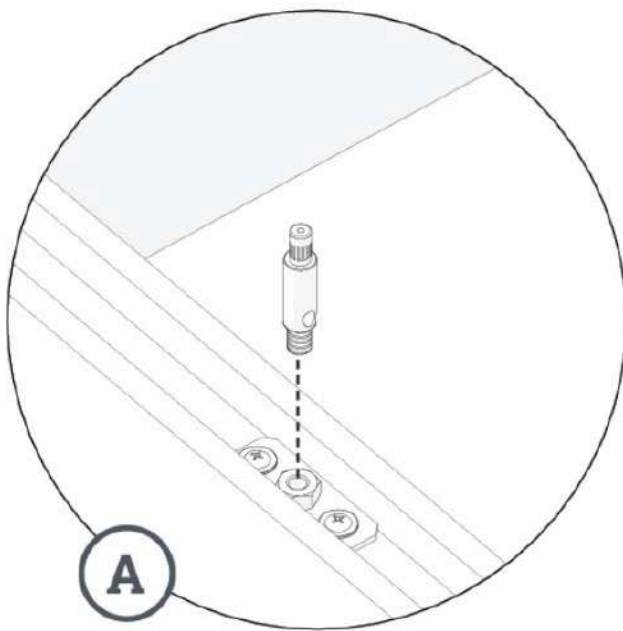
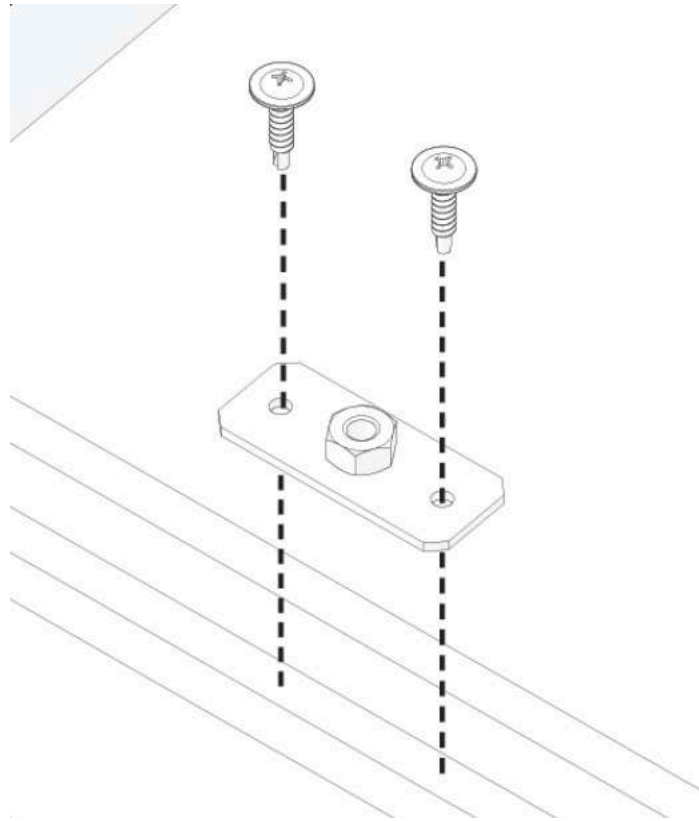


02

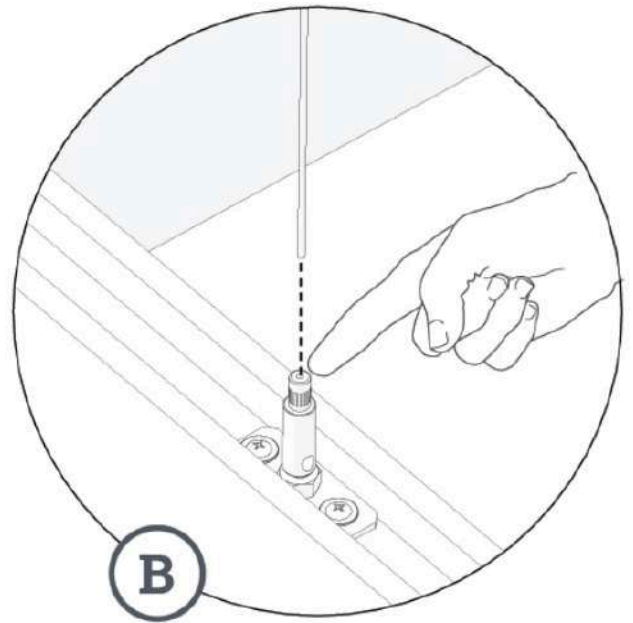


Suspension Points





A
Screw the Grip Lock into the flat bracket.



B
Press down on the plunger while inserting the cable.