













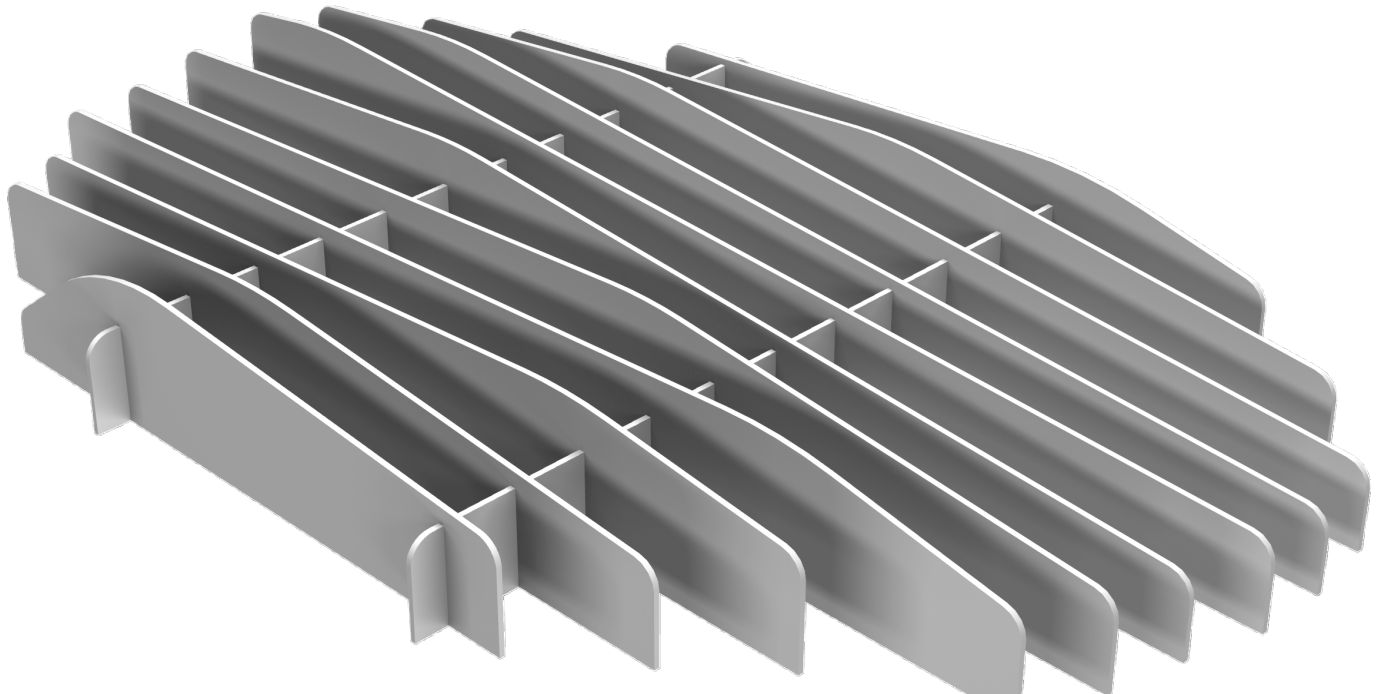
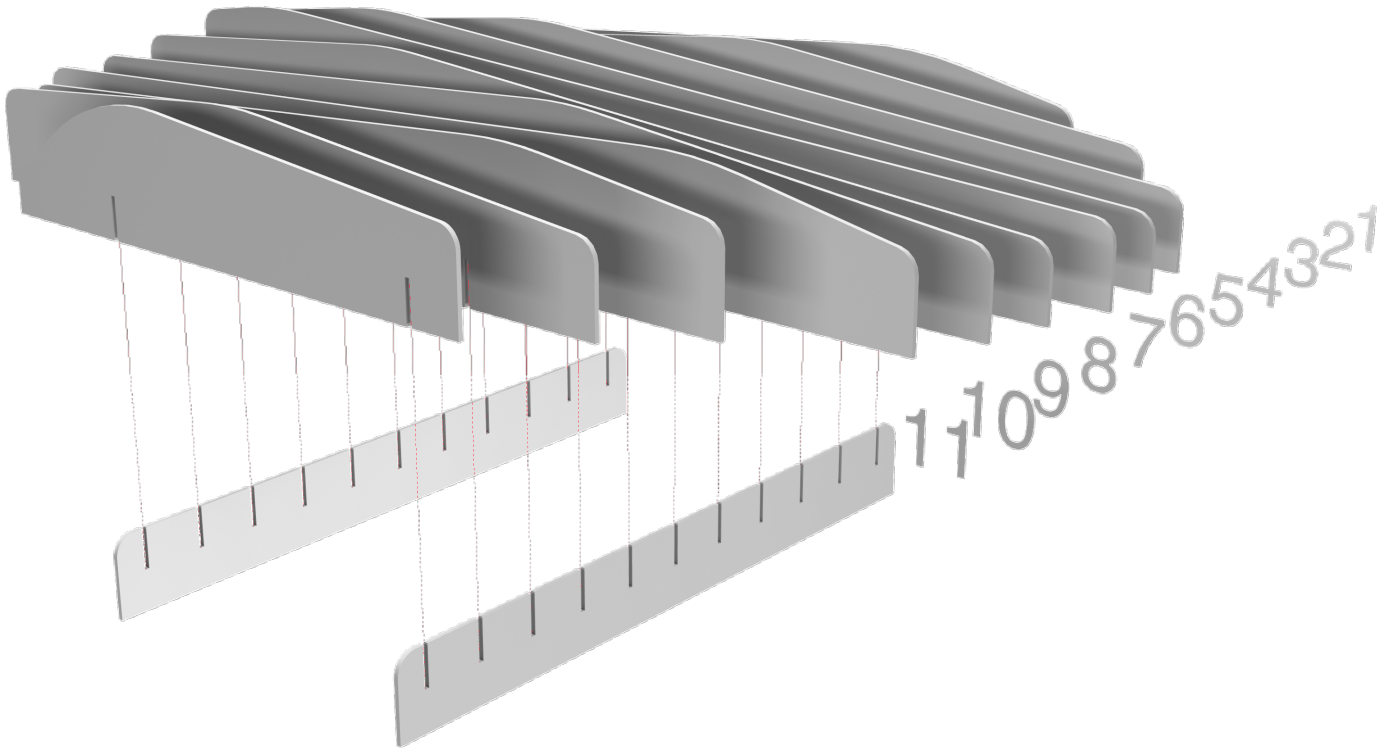
StratoScape

ORB

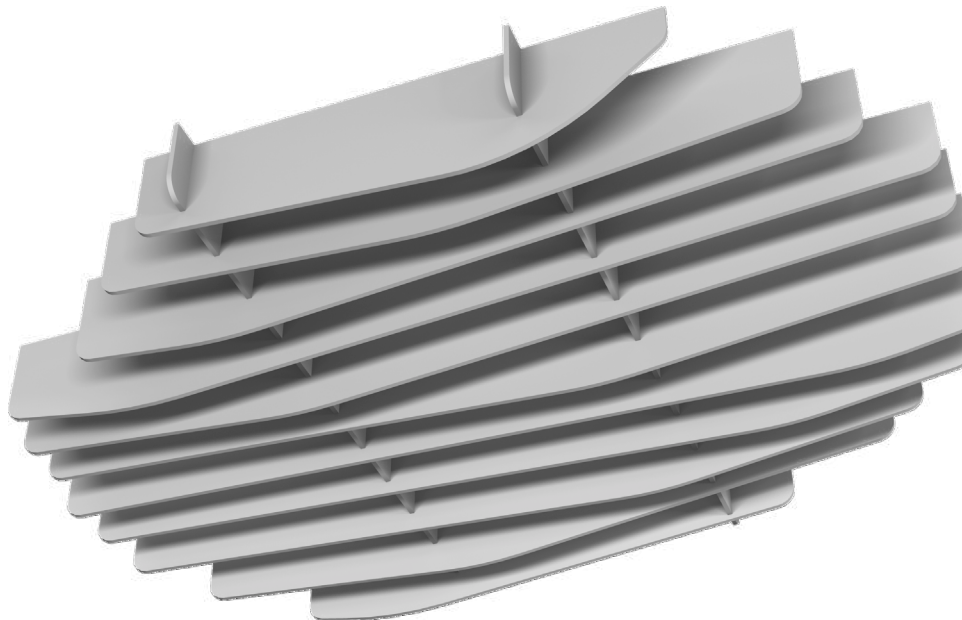
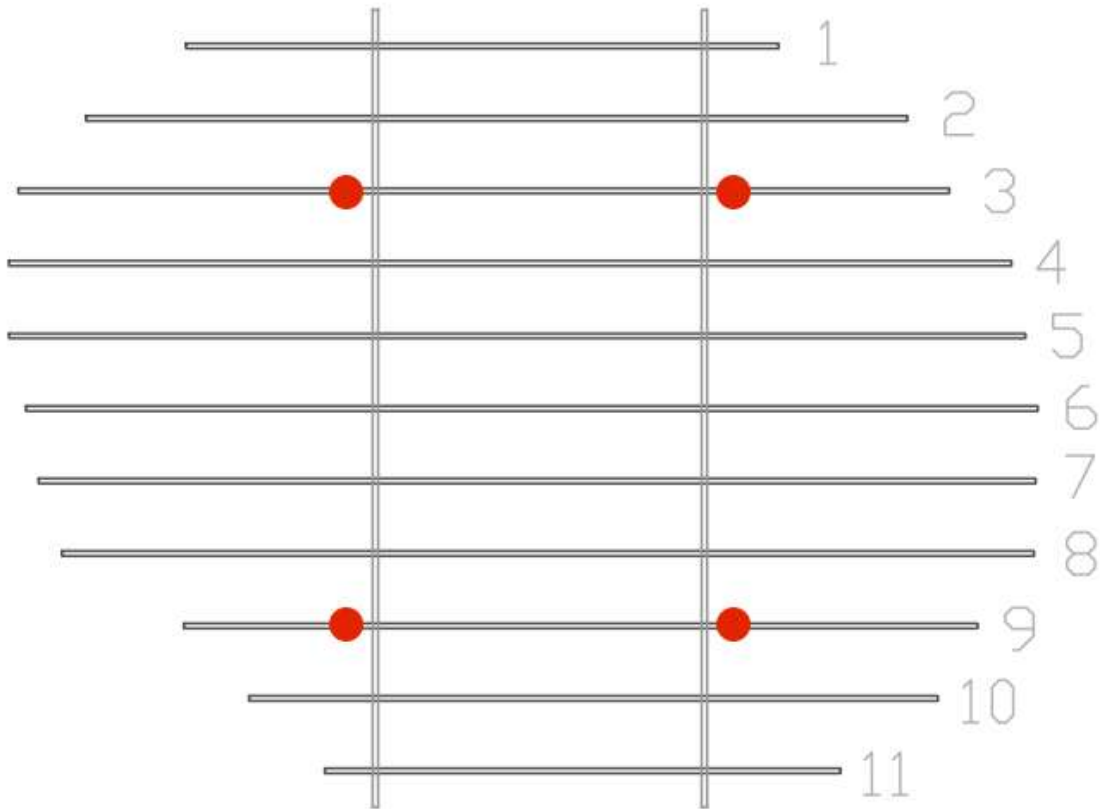
Assembly Instructions

Components

	2
	1
	1
	1
	1
	1
	1
	1
	1
	1
	1
	1

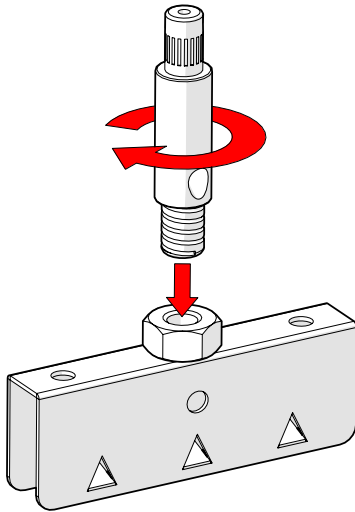


Suspension Points

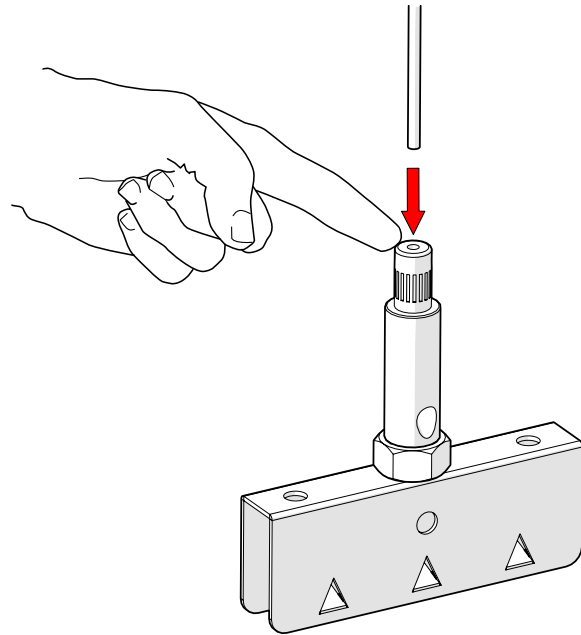


GRIP LOCK/AIRCRAFT CABLE INSTALLATION

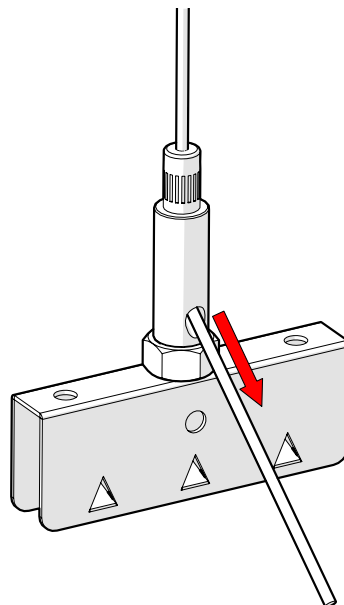
Refer to this page if you intend to use aircraft cables to hang BAFL



A - Screw grip lock into the hex nut welded to the spike bracket.



B - To insert the aircraft cable into the grip lock, press firmly on the nipple while threading the cable through the channel. Release the nipple to lock the cable in place.



Cut any excess cable with wire cutters