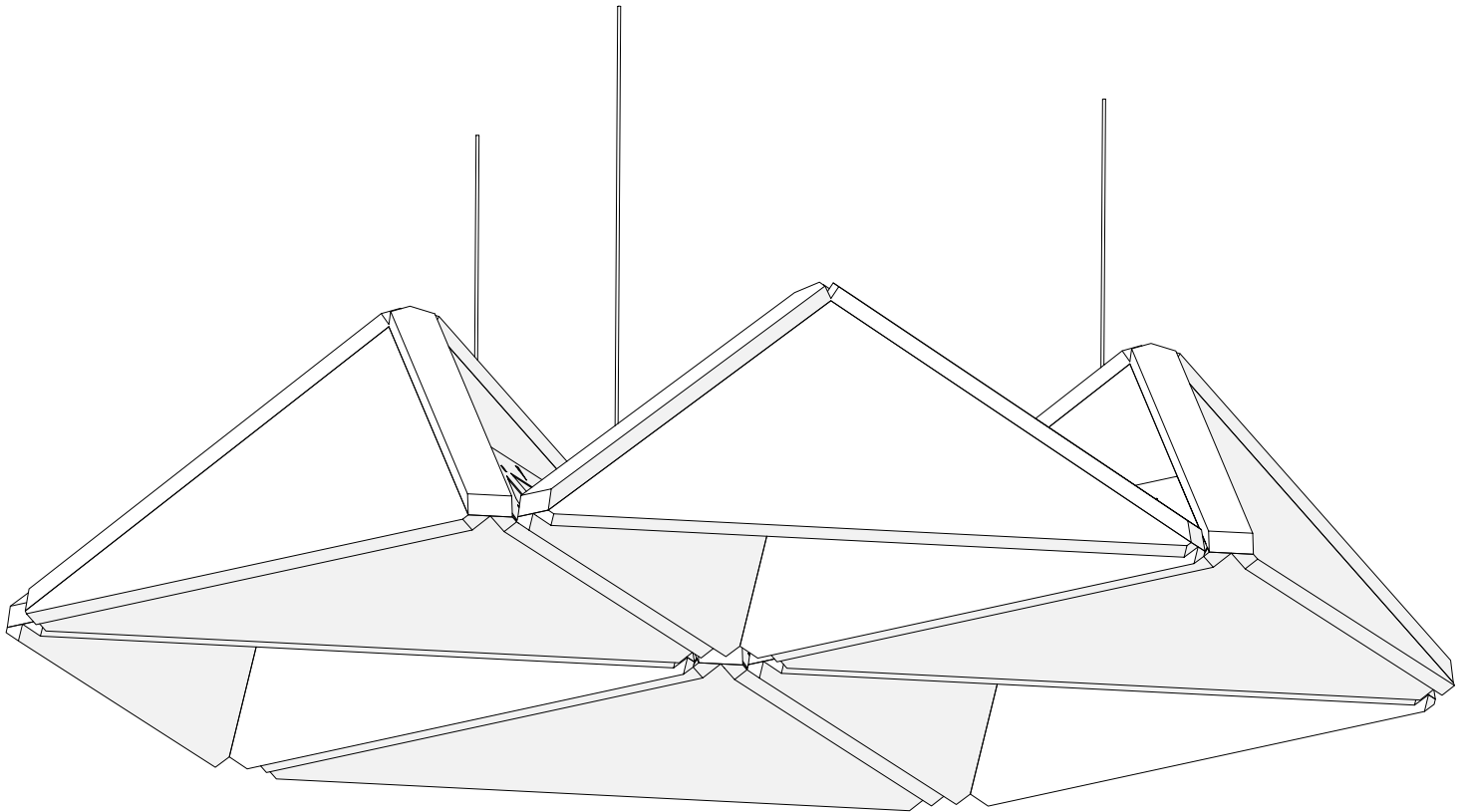


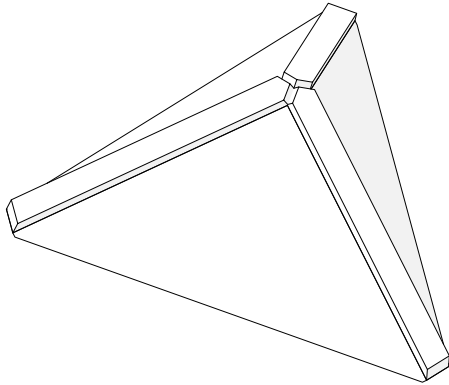
STELLA

INSTALLATION INSTRUCTIONS

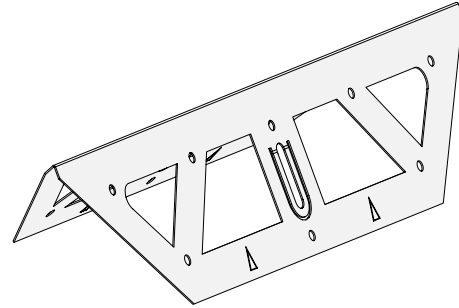


STELLA

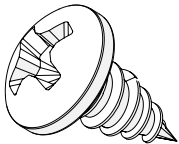
INCLUDED COMPONENTS



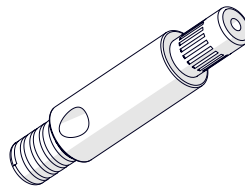
STELLA Module **x6**



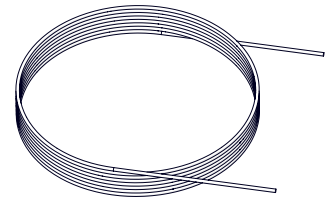
Module Bracket **x6**



#8 x 3/8" screw **x100**

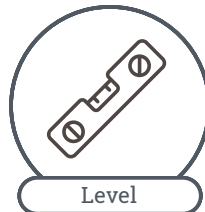


Griplock **x3**

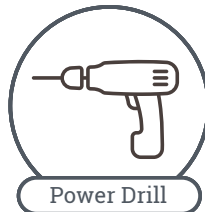


Aircraft Cable **4.5ft**

REQUIRED TOOLS



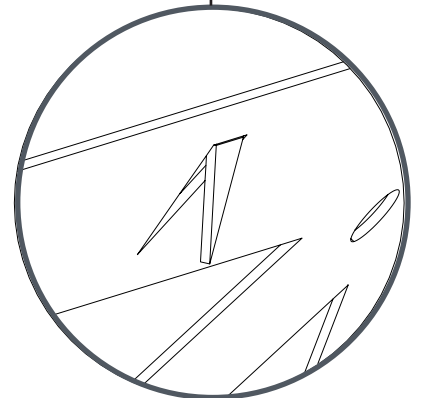
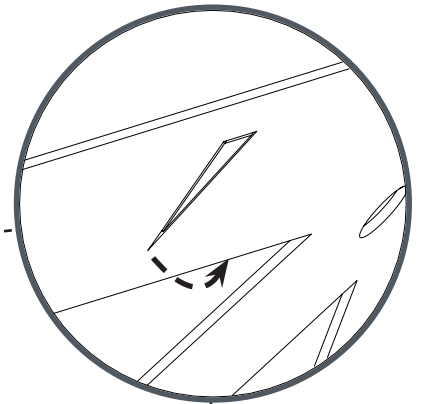
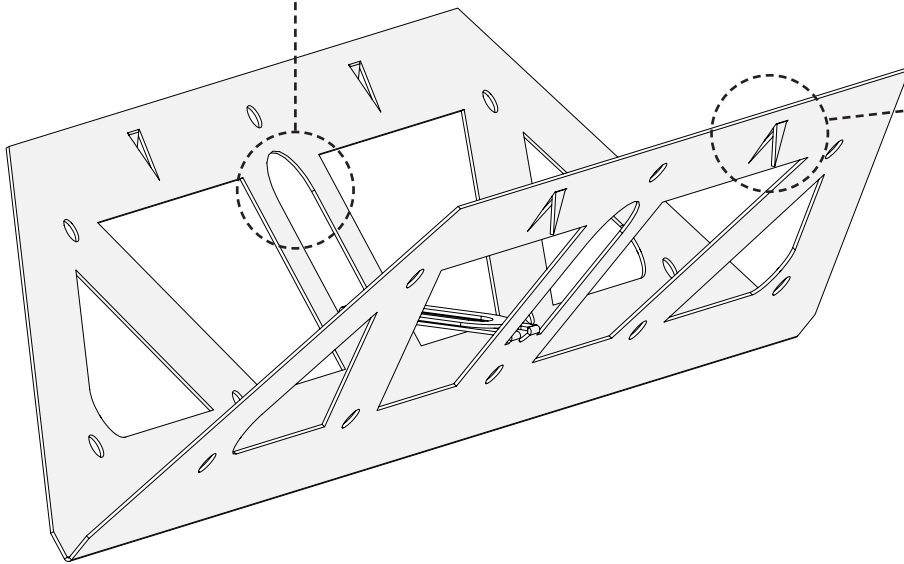
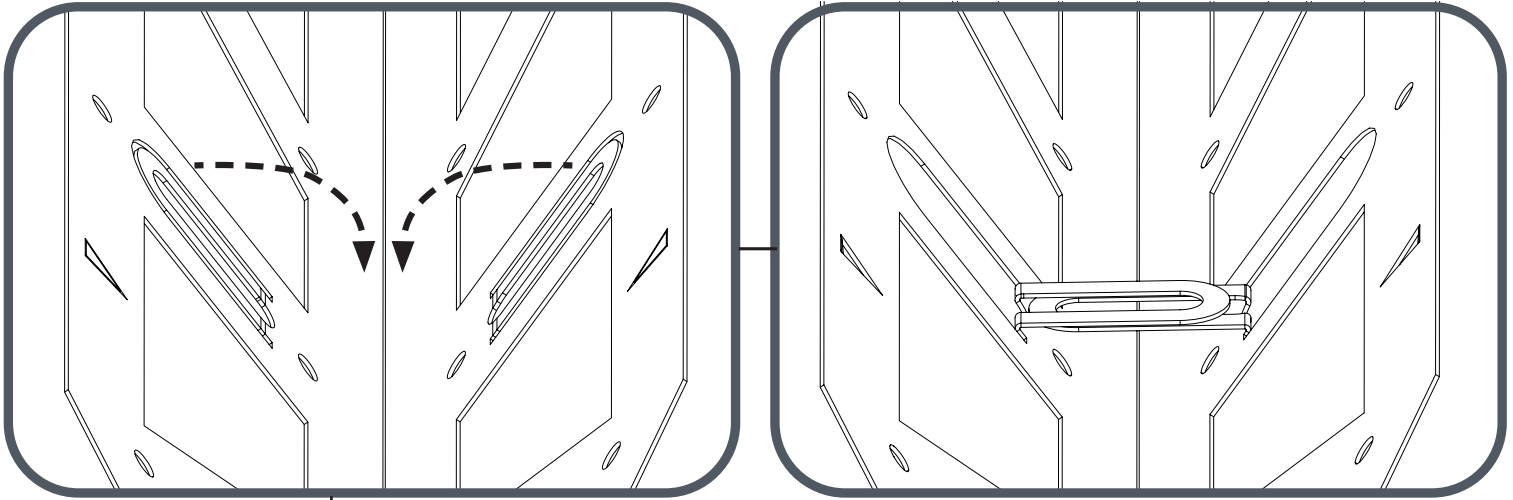
Level



Power Drill

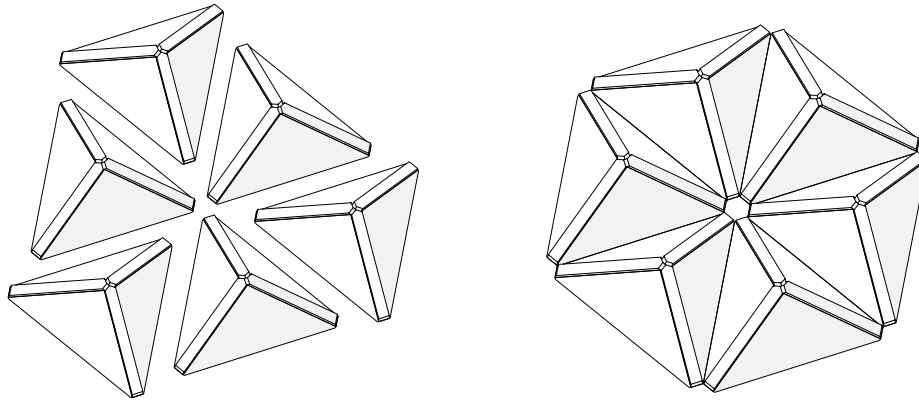
STELLA: INSTALLATION INSTRUCTIONS

- 1 Bend the "U" shaped mounting tabs and the "V" shaped mounting spikes on the module brackets in the orientation shown below.

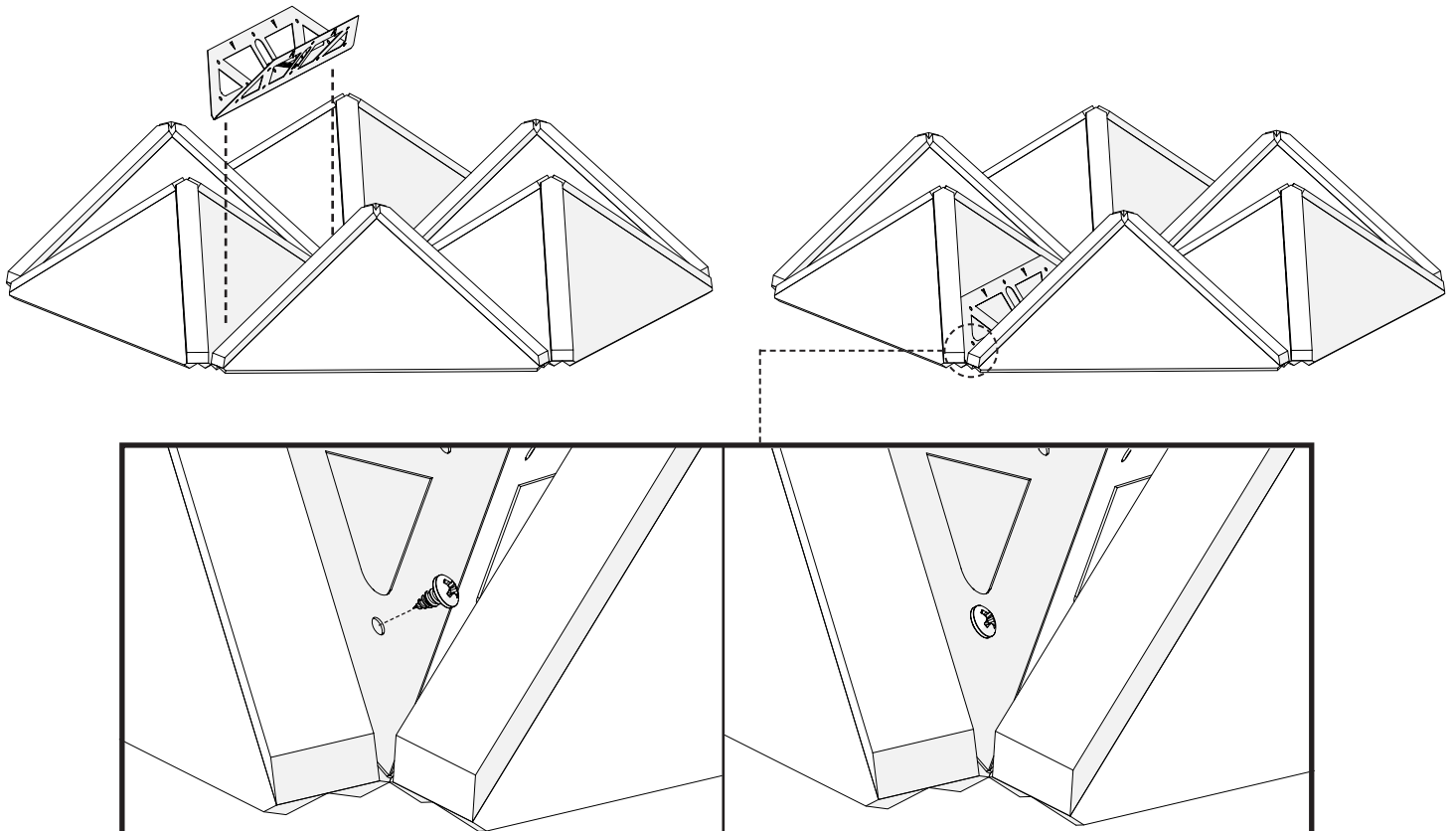


STELLA: INSTALLATION INSTRUCTIONS

2 Arrange the modules on the floor in the shape shown below.

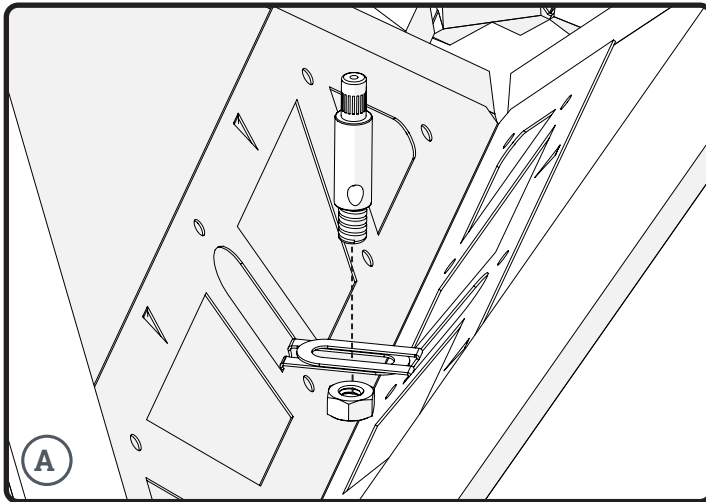


3 Press the brackets into the seams of each module, ensuring the spikes engage the felt, and fasten them to the panels with the provided screws.

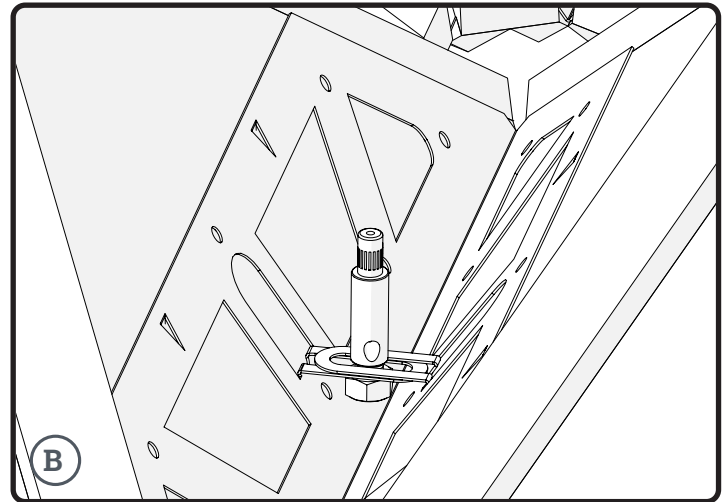


STELLA: INSTALLATION INSTRUCTIONS

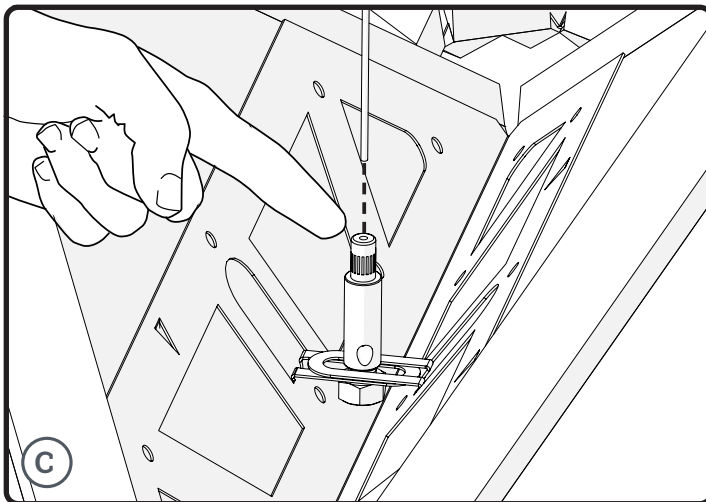
4 Install the x3 Griplock cable grippers and cables:



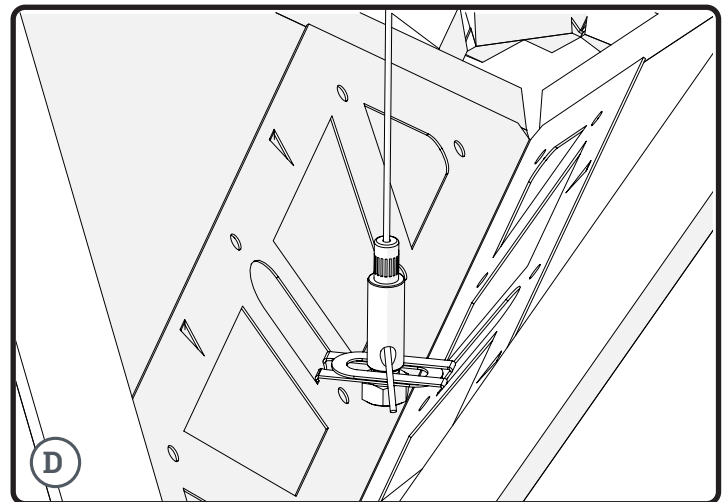
Thread the Griplock through the “U” shaped tab in the module bracket.



Secure the Griplock with the nut underneath.



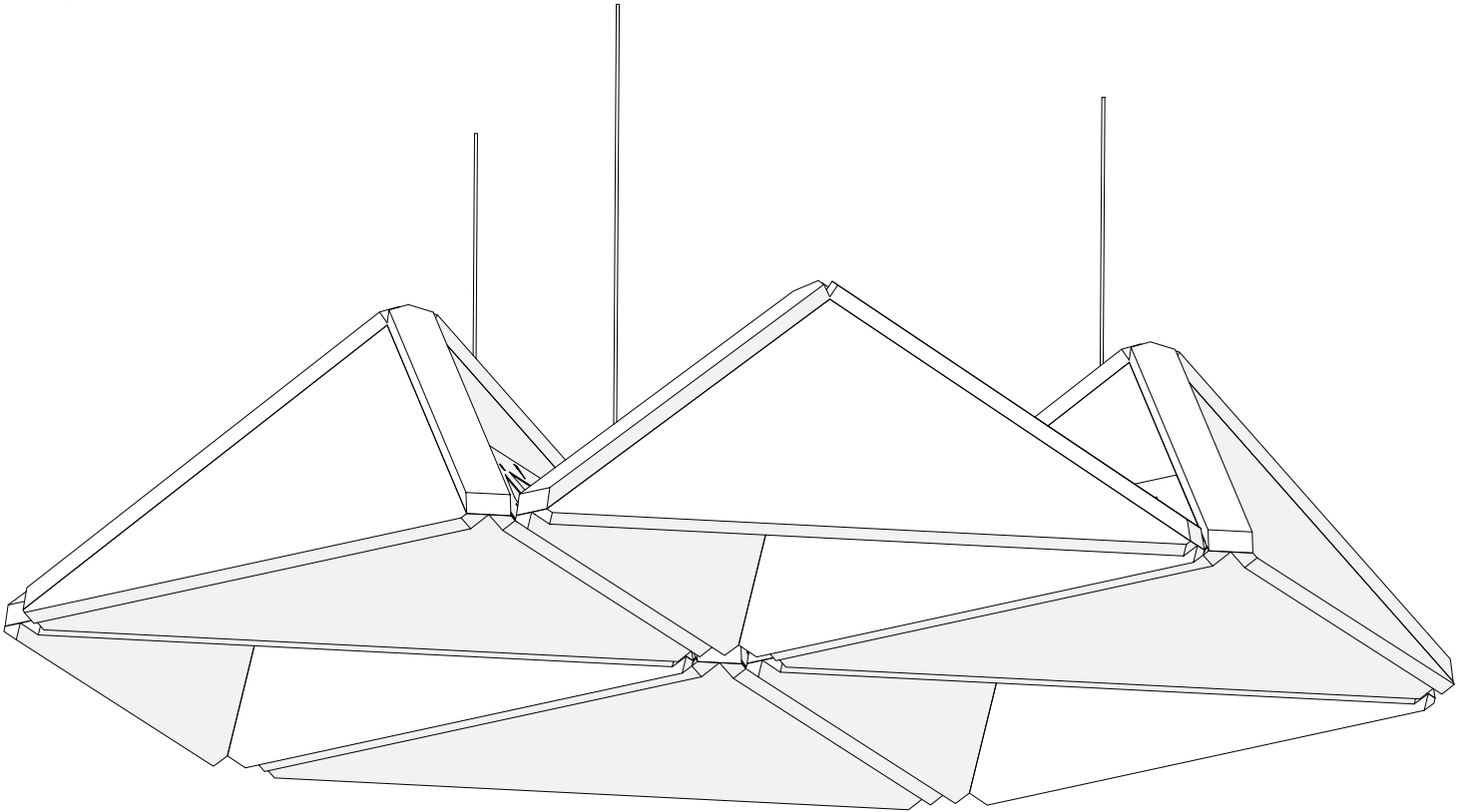
Press down on the plunger while inserting the aircraft cable.



Thread the cable through the side opening and release the plunger to lock the cable in place.

STELLA: INSTALLATION INSTRUCTIONS

- 5 Hang and level STELLA according to your preferred method.



INSTALLATION COMPLETE