

SPOKE LIGHT Installation - Rectangle/Circle/Triangle

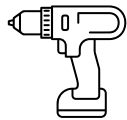
Acoustical Spoke Light

These installation suggestions consist of a common process for acoustical SPOKE LIGHT. Installers should rely upon their own professional experience and understanding of their unique requirements to ensure a successful install. All Spoke Lights assemble the same—the fin shape (Rectangle/Circle/Triangle) is the only distinction.

NOTE: SPOKE shade must hung with aircraft cable snug enough to support its weight; the electrical wire attached to the light source cannot support the weight of the assembled light fixture. Failure to heed this warning could result in the product malfunctioning. As such, we recommend that a professional electrician be consulted to correctly complete the installation.

NOTE: To prevent electric shock, disconnect electrical supply before installation or servicing.

Tools Needed

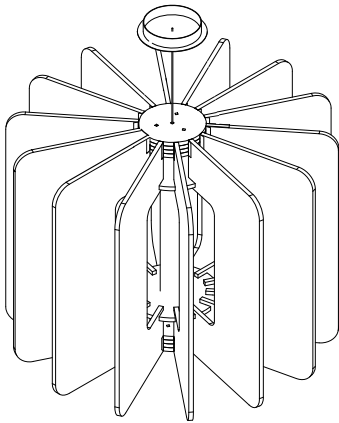


Drill

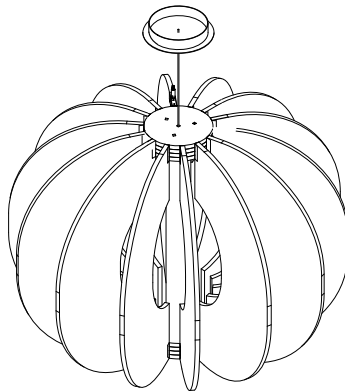


Cable Cutter

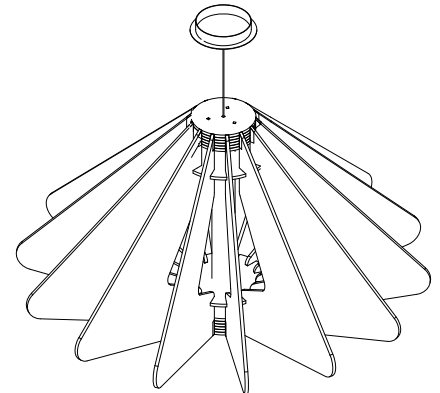
Items Included



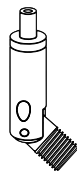
OR



OR



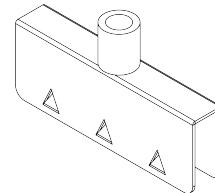
1/4" - 20



Swivel Gripper



Aircraft Cable

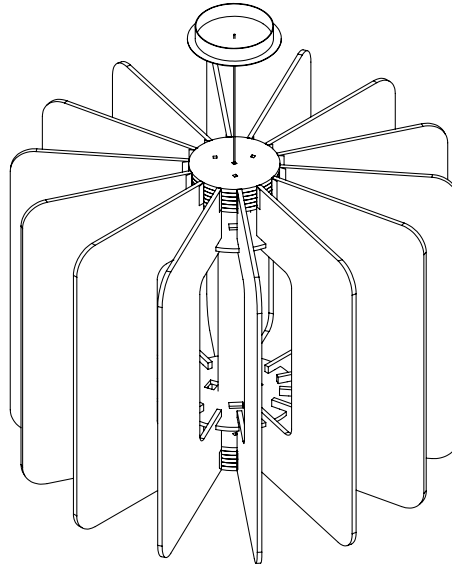


9mm or 12mm Spike Bracket

SPOKE LIGHT Installation

Acoustical Spoke Light

1. Carefully unwrap the assembled Spoke Light. Use caution to not bend or tear the attached fins.



2. Use the Drill Template as a guide to drill (3) 1/4" holes through the mounting plate of the light fixture.

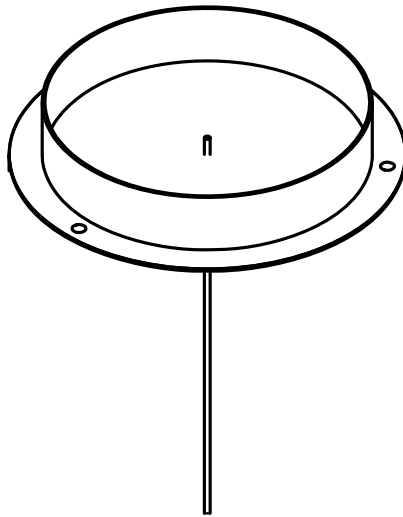
NOTE: The slit in the drill template is not easily visible - lightly twist the piece to find the cut and align wires in the center.



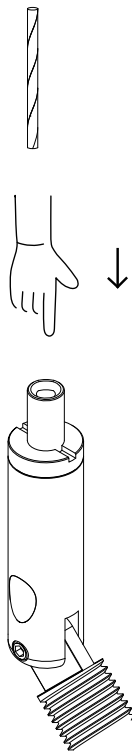
SPOKE LIGHT Installation

Acoustical Spoke Light

3. Remove the drill template to reveal hardware mounting points.



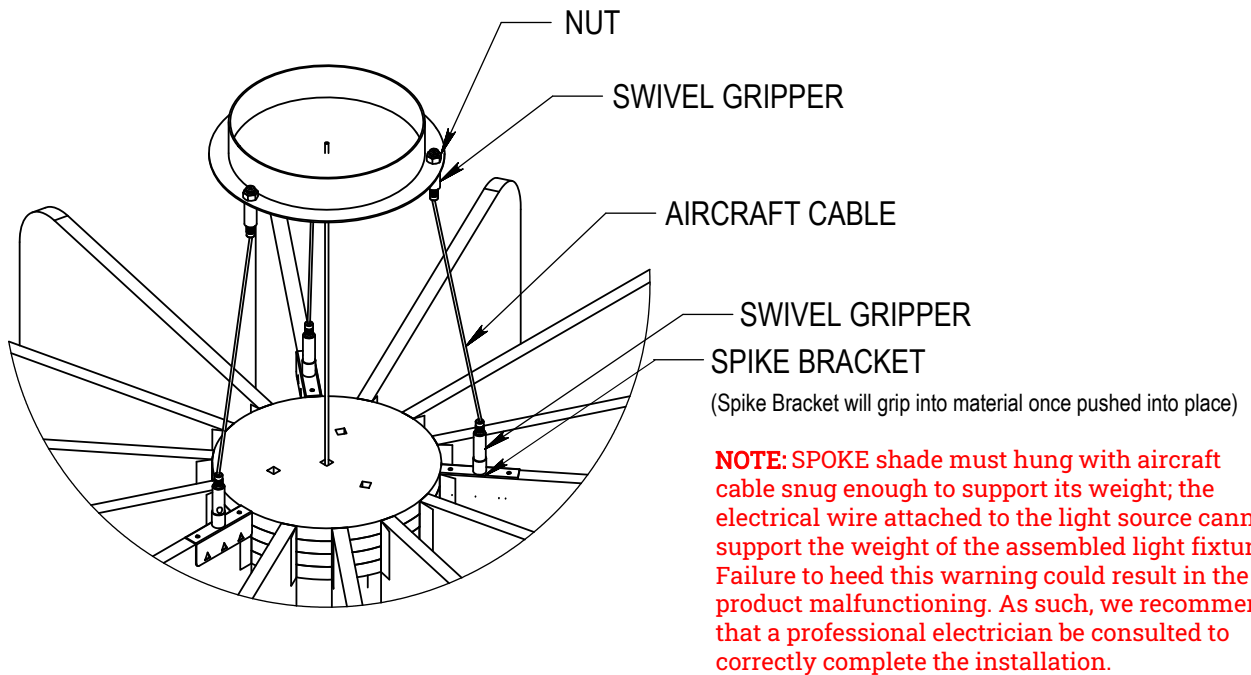
4. Insert aircraft cable into Swivel Gripper. Excess length will exit from the side and can be trimmed as needed.



SPOKE LIGHT Installation

Acoustical Spoke Light

5. Assemble hardware as shown below



5. Complete assembly.

