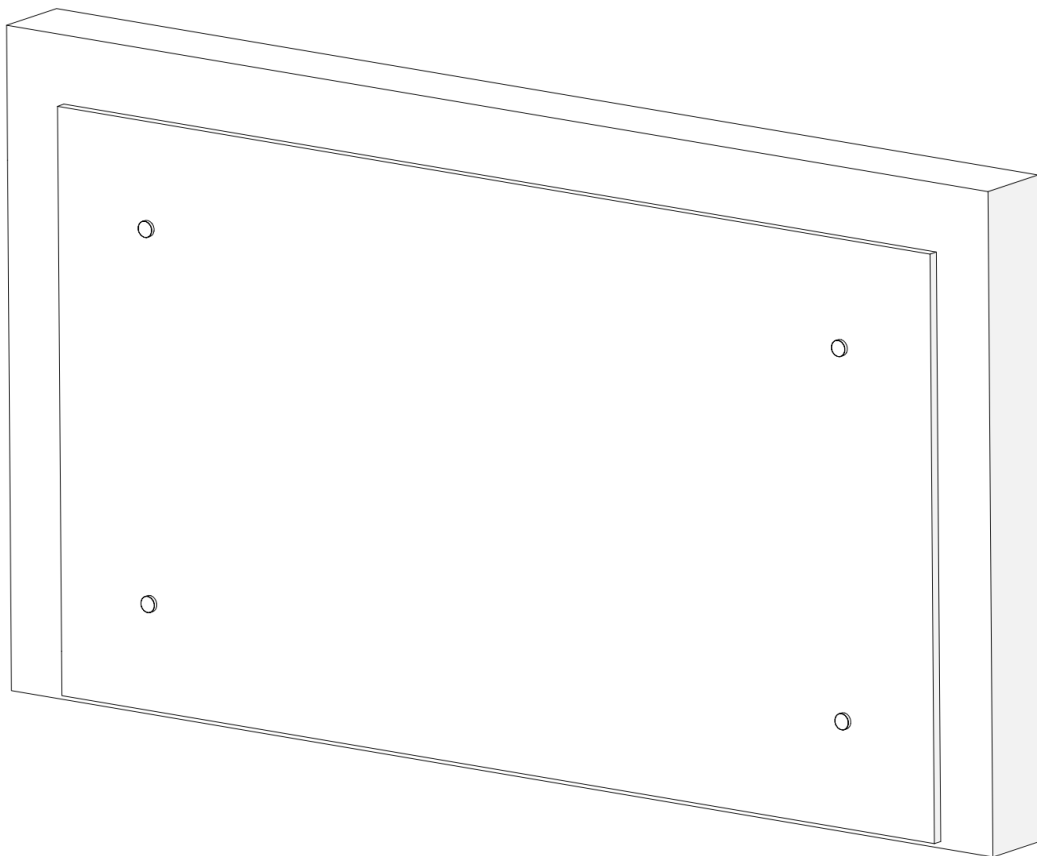


PANL

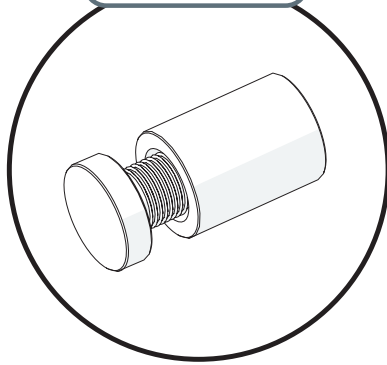
INSTALLATION INSTRUCTIONS FOR SOLID, PERFORATED AND PRINTED PANLS



PANL

MOUNTING OPTIONS

Option 1

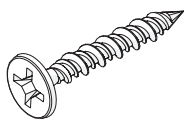


Aluminum Stand-off

REQUIRED TOOLS



REQUIRED HARDWARE



Screws
[Selected according to installation surface]

Option 2



Adhesive

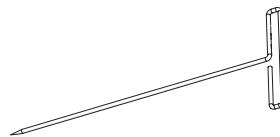
REQUIRED TOOLS



NOTE:

Panels can be adhered directly to the wall. Adhesive is NOT included, but 3095 carpet glue or Liquid Nails is recommended.

RECOMMENDED HARDWARE

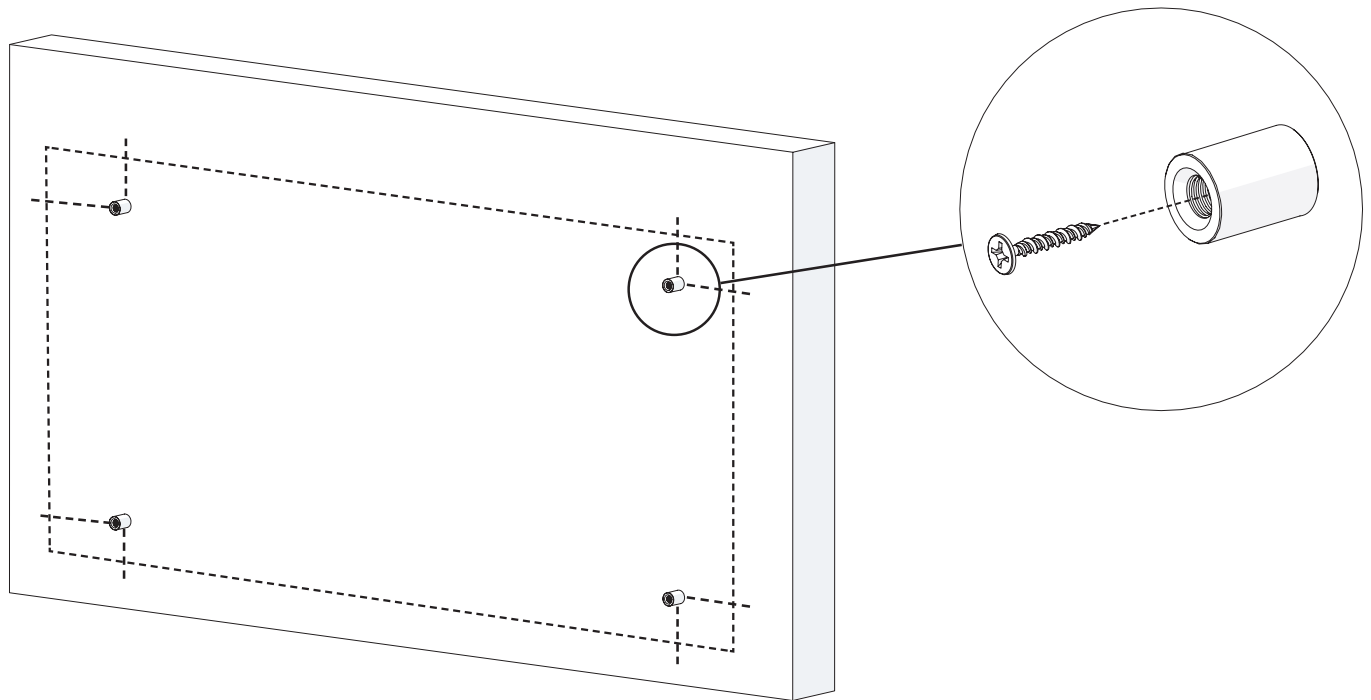


Pushpins
[Same or Similar: NOT INCLUDED]

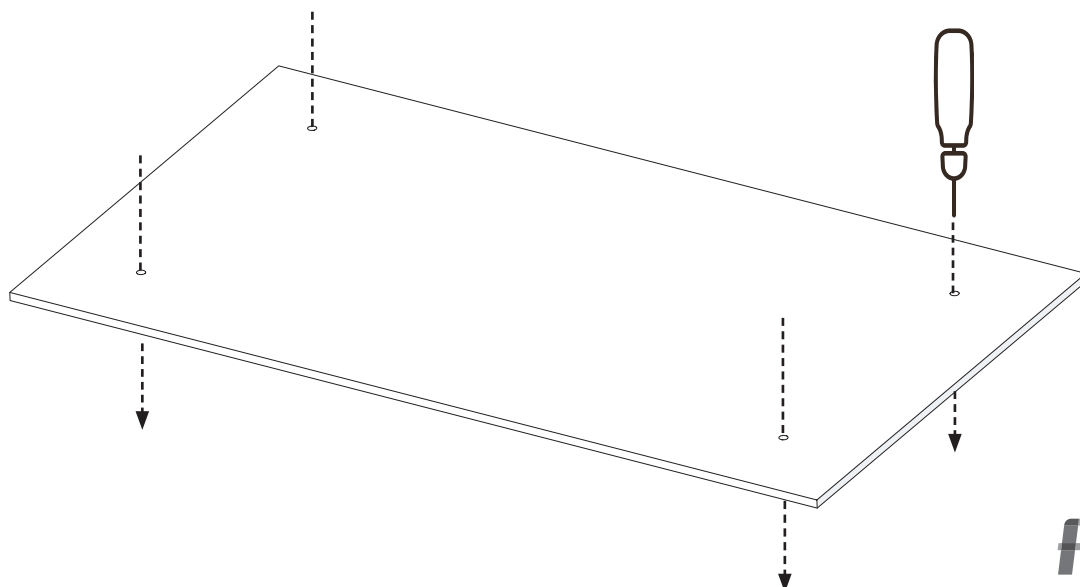
PANL

STAND-OFF MOUNTING INSTRUCTIONS

- 1 Mark the location of the product and the mounting points on the surface and install the female threaded portion of the stand-offs at appropriate locations as shown below.



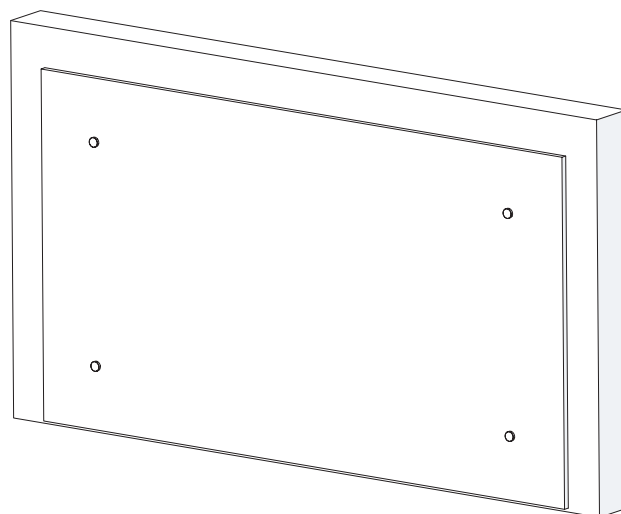
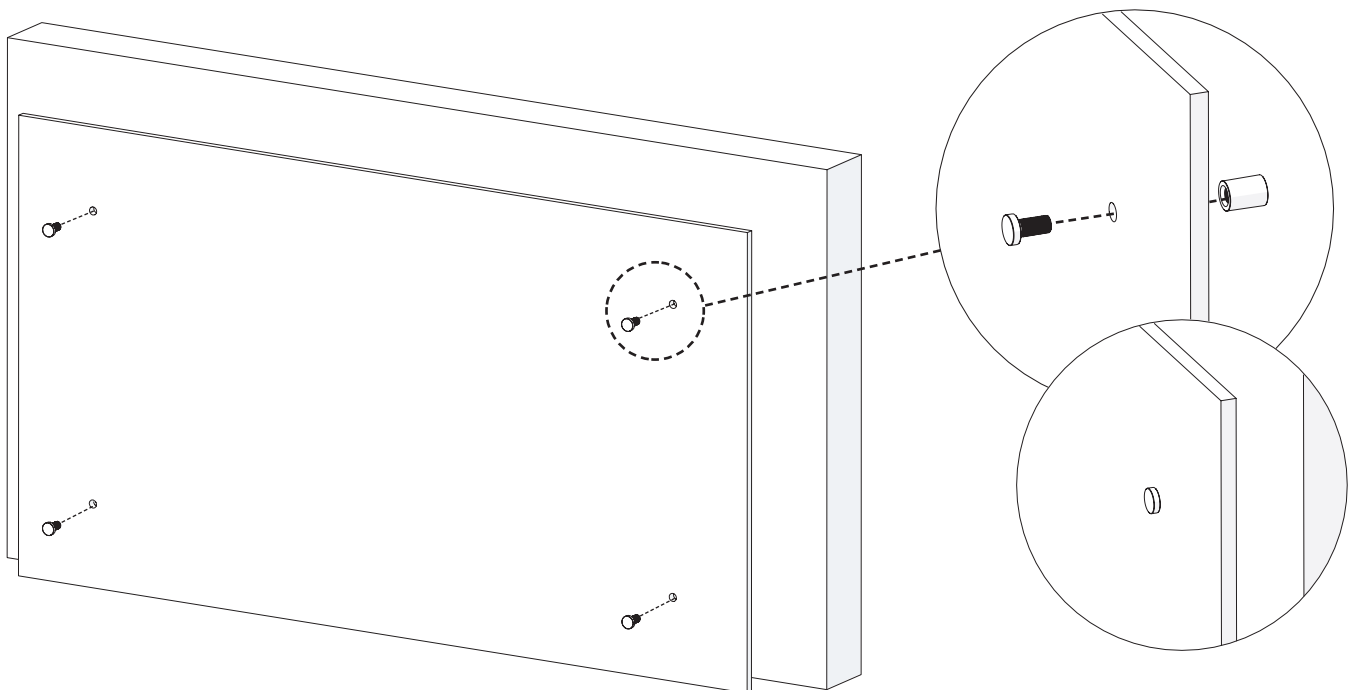
- 2 Mark the corresponding location of the stand-off positions on the back of the felt. Use a hot soldering iron to create through holes on in the felt for the male threaded portion of the stand-offs.



PANL

STAND-OFF MOUNTING INSTRUCTIONS

- 3** Line the felt up to the female portion of the stand-offs and screw in the male threaded caps to secure the product to the wall.

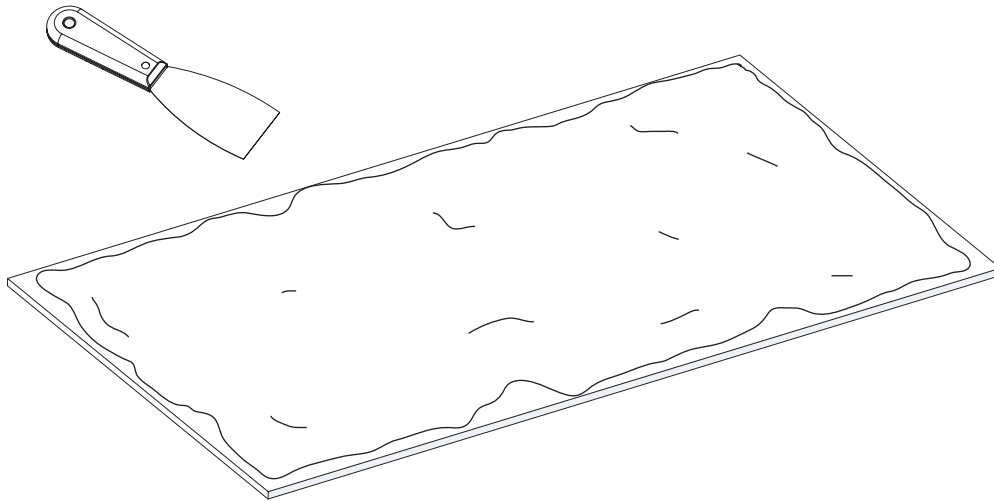


INSTALLATION COMPLETE

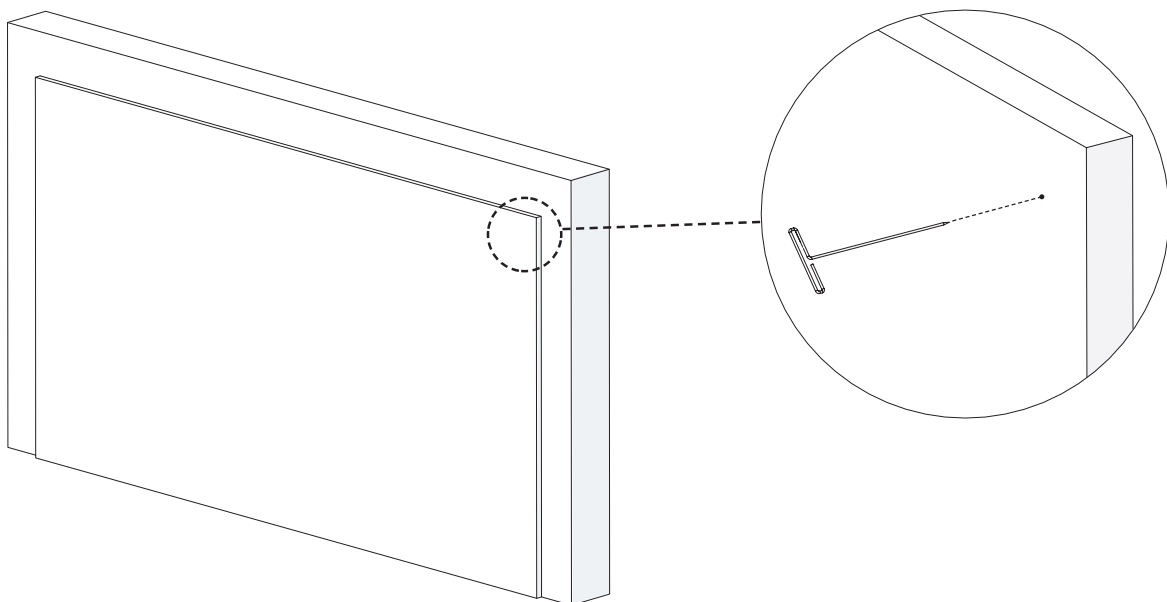
PANL

ADHESIVE MOUNTING INSTRUCTIONS

- 1 Apply a generous layer of adhesive to the PANL and spread evenly with a putty knife.



- 2 Press the PANL firmly against the installation surface and fix in place with push pins. Remove the pins when the adhesive has been allowed to cure according to the manufacturer instructions.



INSTALLATION COMPLETE