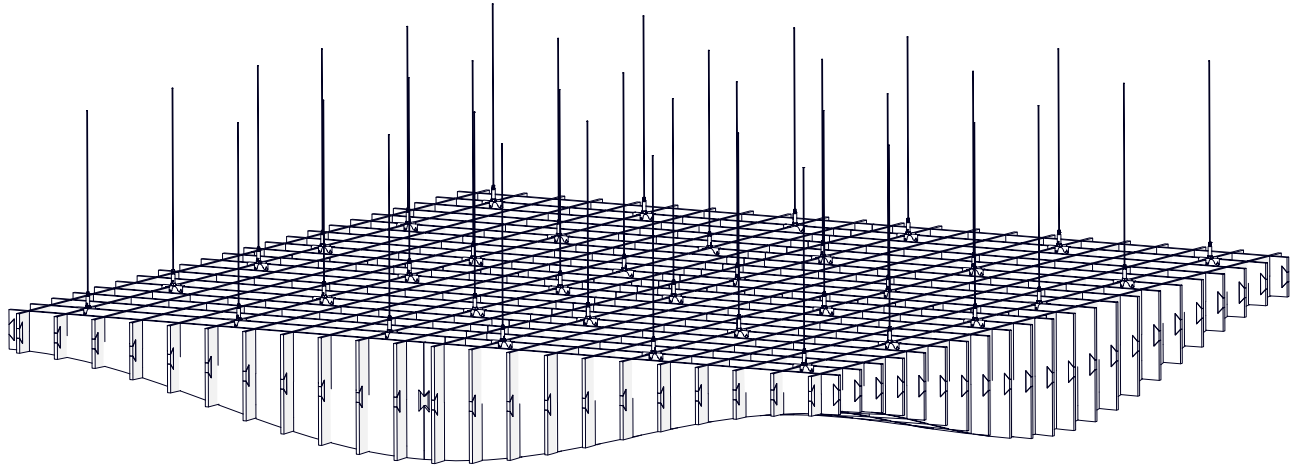
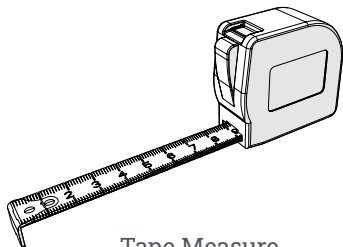


NET: ASSEMBLY INSTRUCTIONS

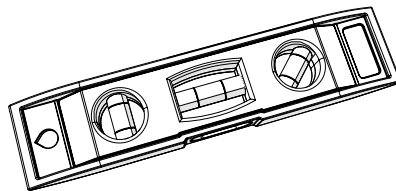
ACOUSTICAL BAFFLE



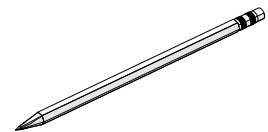
TOOLS REQUIRED



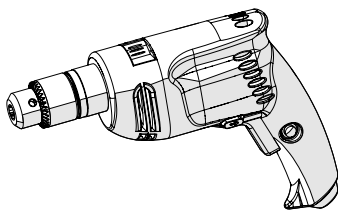
Tape Measure



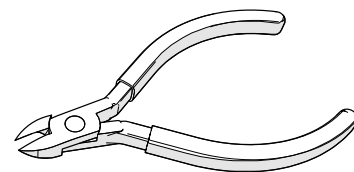
Level



Pencil/Marker

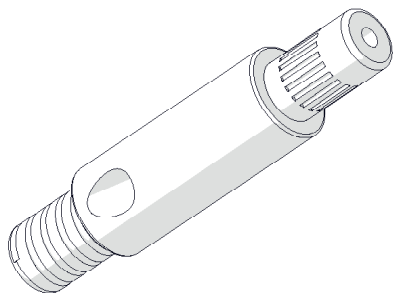


Power Drill

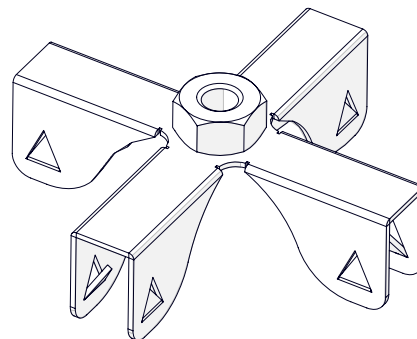


Wire Cutters

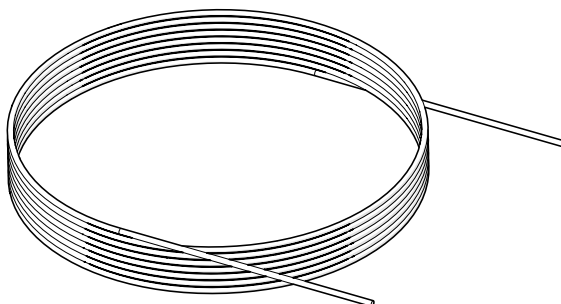
NET: INCLUDED HARDWARE STANDARD HARDWARE



Standard Gripper [x18]



Spike Bracket [x18]



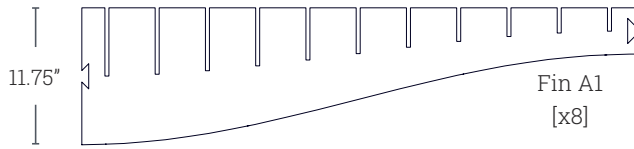
Aircraft Cable [27ft]

Standard hardware shown does not include direct to ceiling, wall or floor hardware. All customers of Fräsch products are responsible for the selection of final surface mounting hardware.

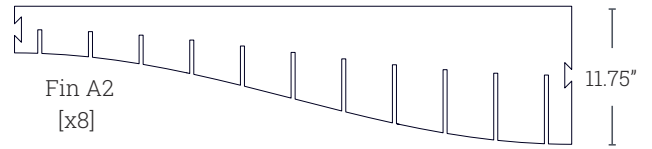
Please contact support@fräsch.com to review your unique site conditions and select the appropriate hardware package.

NET: ASSEMBLY INSTRUCTIONS

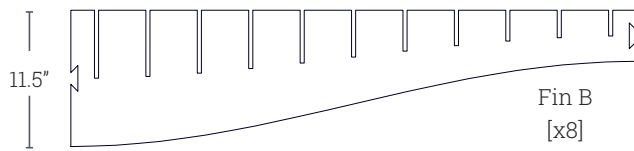
INCLUDED COMPONENTS



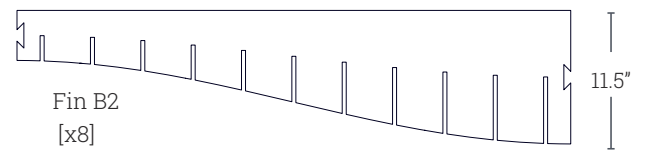
Fin A1
[x8]



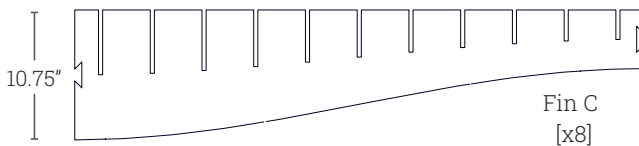
Fin A2
[x8]



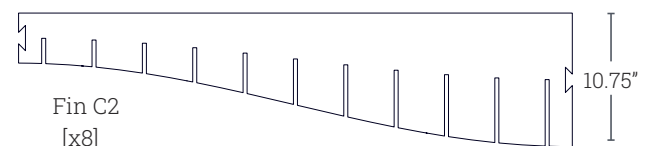
Fin B
[x8]



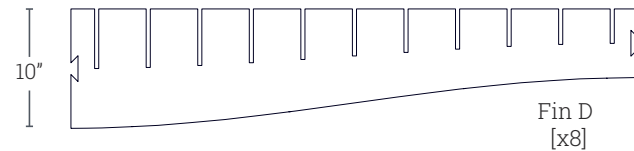
Fin B2
[x8]



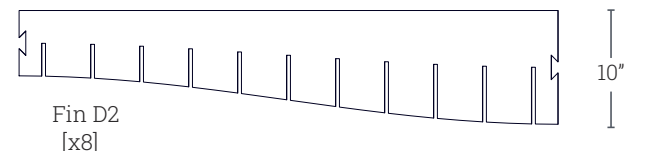
Fin C
[x8]



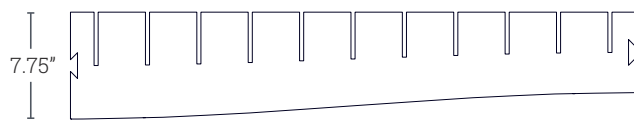
Fin C2
[x8]



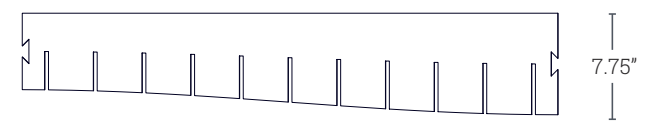
Fin D
[x8]



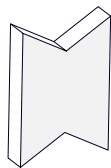
Fin D2
[x8]



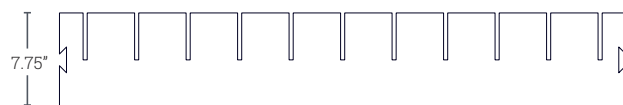
Fin E
[x8]



Fin E2
[x8]



Bowtie Connector [x44]



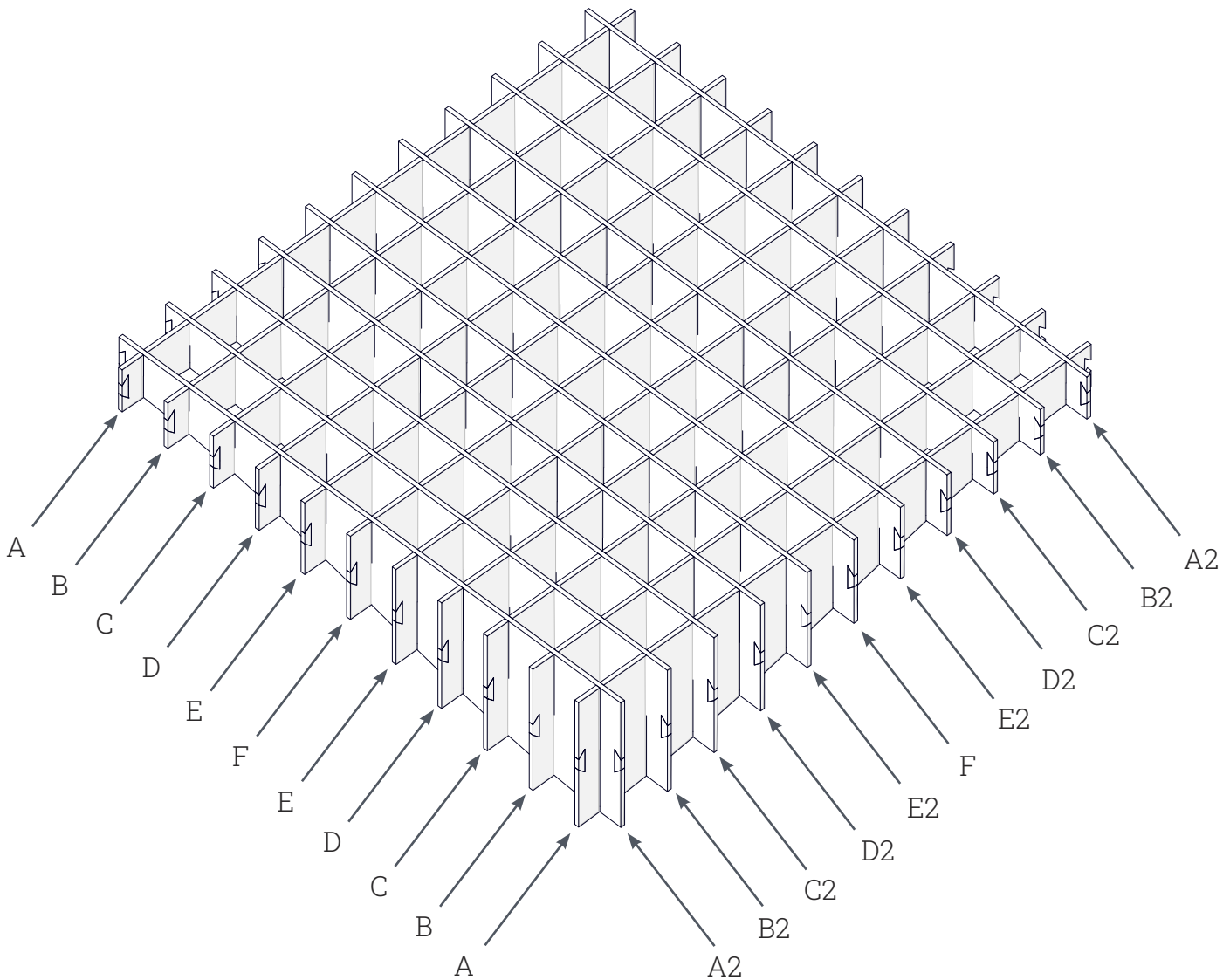
Fin F [CENTER]
[x8]

NET: ASSEMBLY INSTRUCTIONS

MODULE RIB LAYOUT

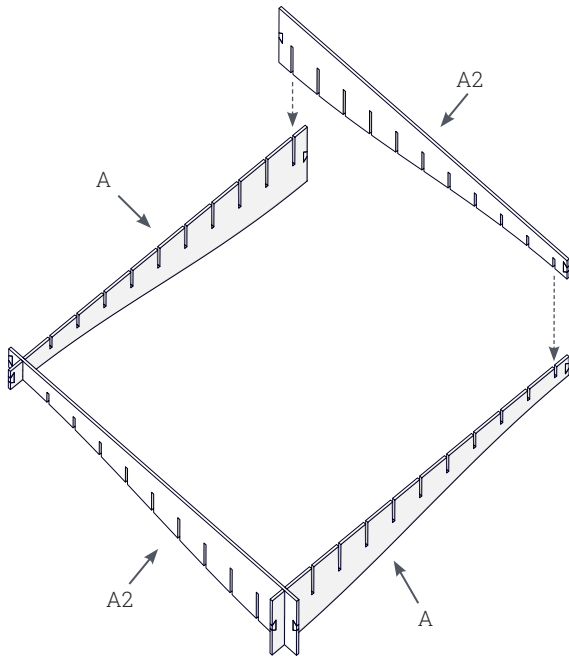
NET is formed by 4 identical assemblies referred to as “modules”. Once completed, the modules are hung one by one and the dovetail connector is installed at the seam of each connecting fin.

Refer to this diagram when assembling the modules.

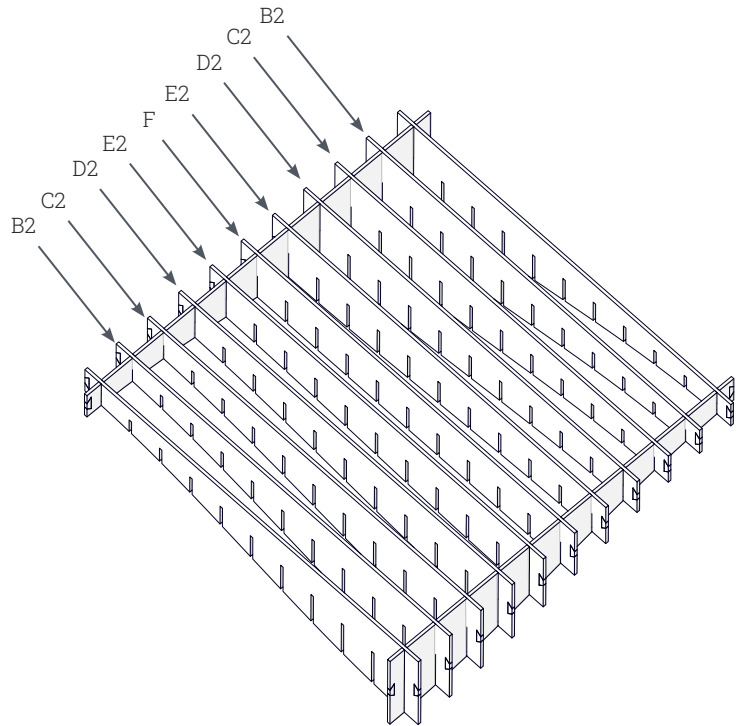


NET: ASSEMBLY INSTRUCTIONS

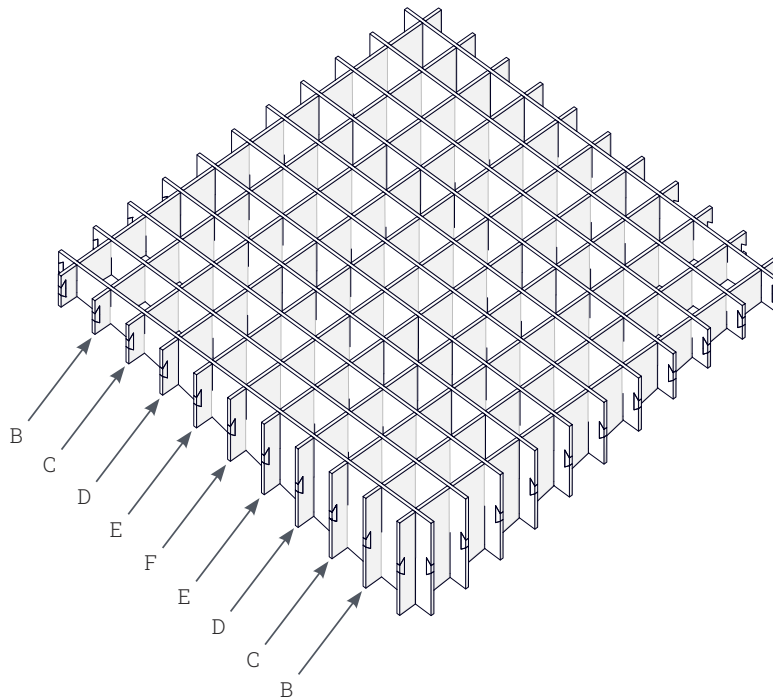
ASSEMBLING THE MODULE



Step 1: Assemble a box frame of the first module with the 4 corresponding fins as shown above.



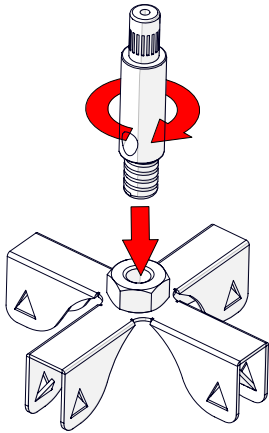
Step 2: Assemble the "2" variant fins inside the frame.



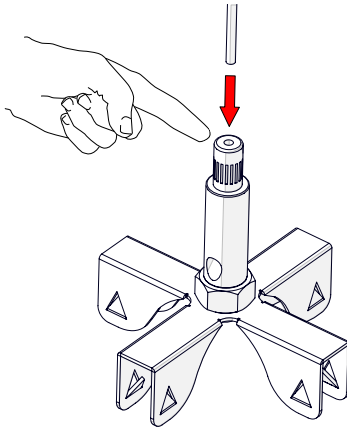
Step 3: Complete the module by assembling the remaining fins.

NET: ASSEMBLY INSTRUCTION

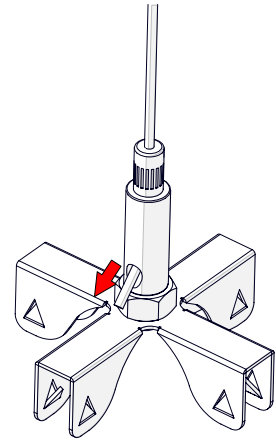
HARDWARE ASSEMBLY



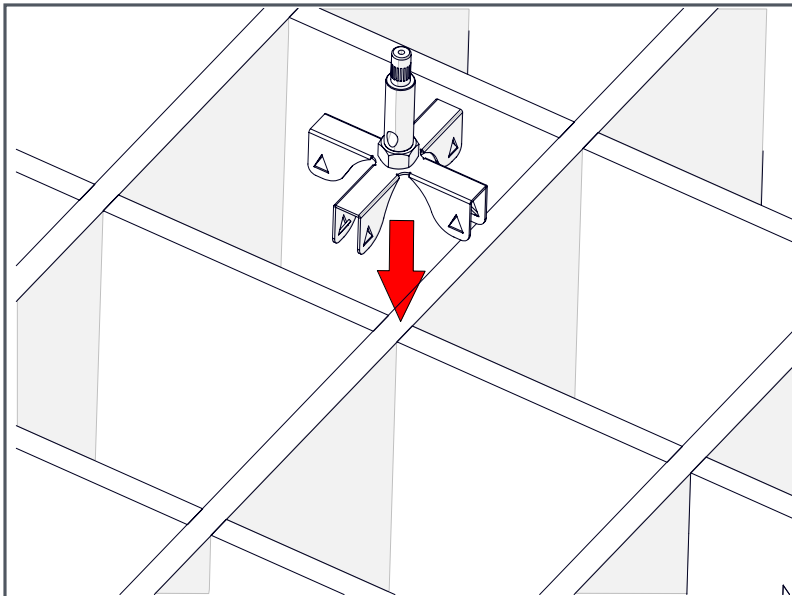
A: Fasten the gripper to the bracket.



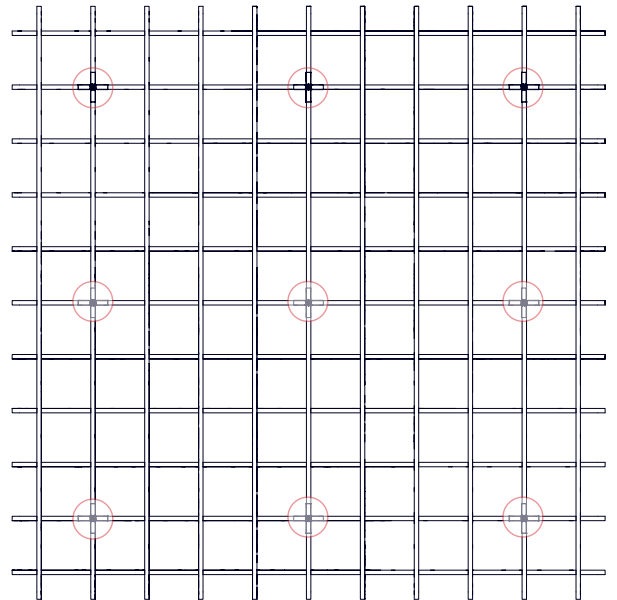
B: Press down on the nipple while inserting the cable end. Releasing the nipple locks the cable in place



C: Ensure the cable threads through the side opening. Use the locking mechanism to adjust the level of NET, then trim the excess cable

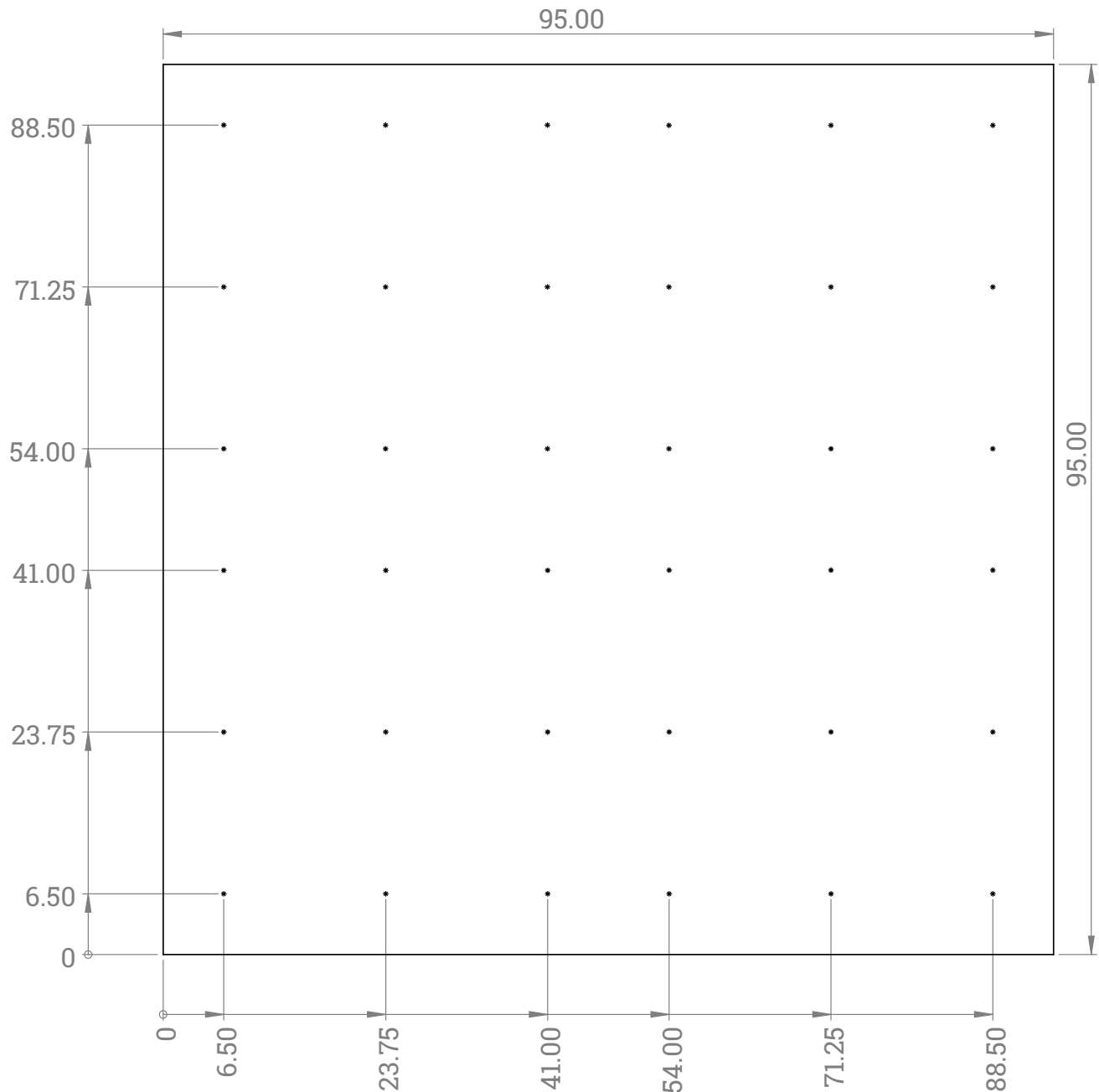


D: Press the brackets firmly into the fin positions shown in the diagram above.



NET: INSTALLATION INSTRUCTION CEILING MOUNT LOCATION

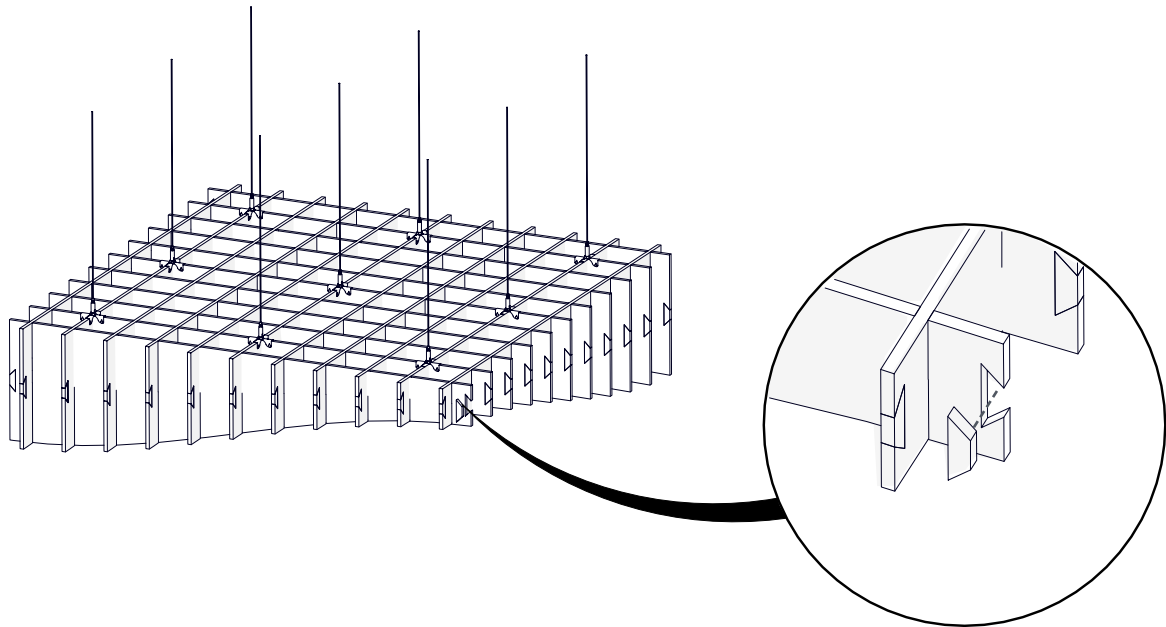
Use this diagram as a reference to install mounting hardware in the ceiling.



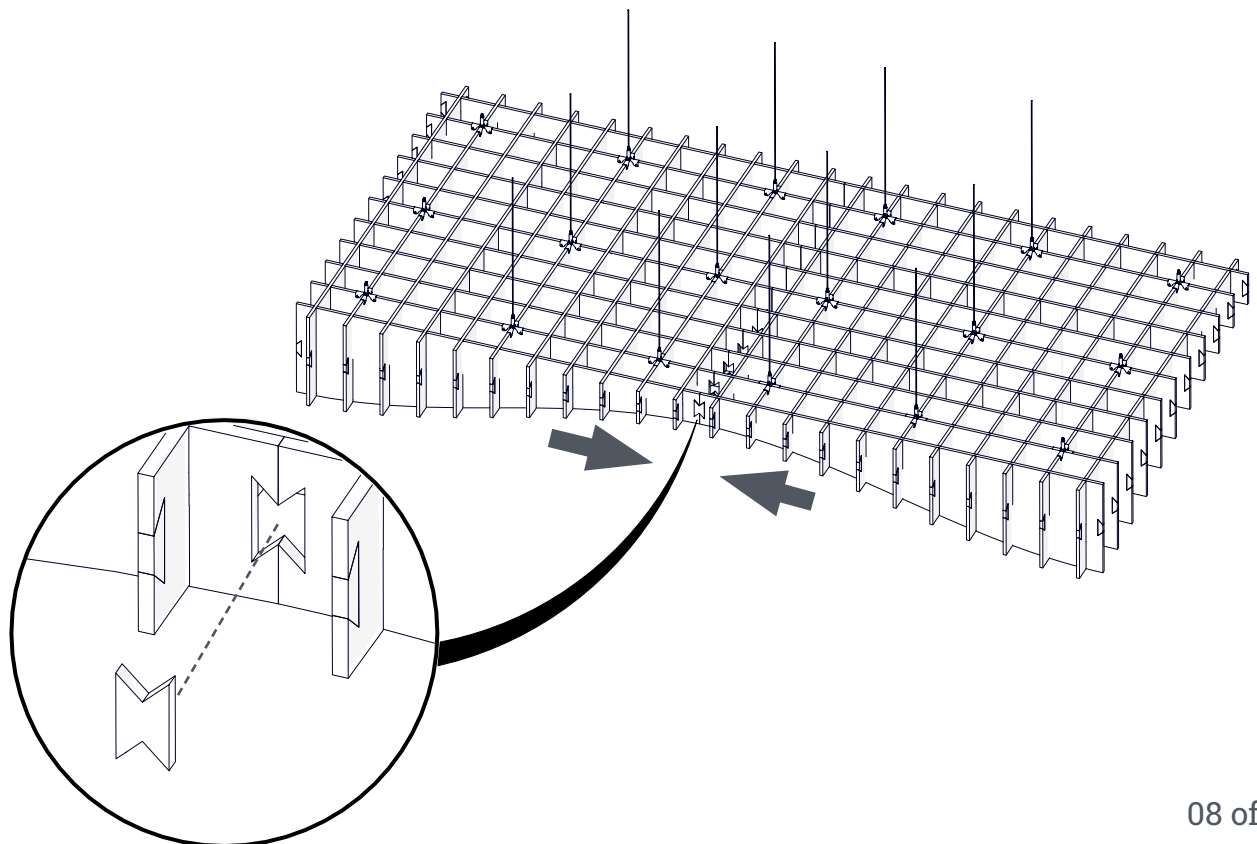
NET: ASSEMBLY INSTRUCTION

CONNECTING THE MODULES

Step 4: Remove the inserts from the ends of the fins. Hang and level the first module.



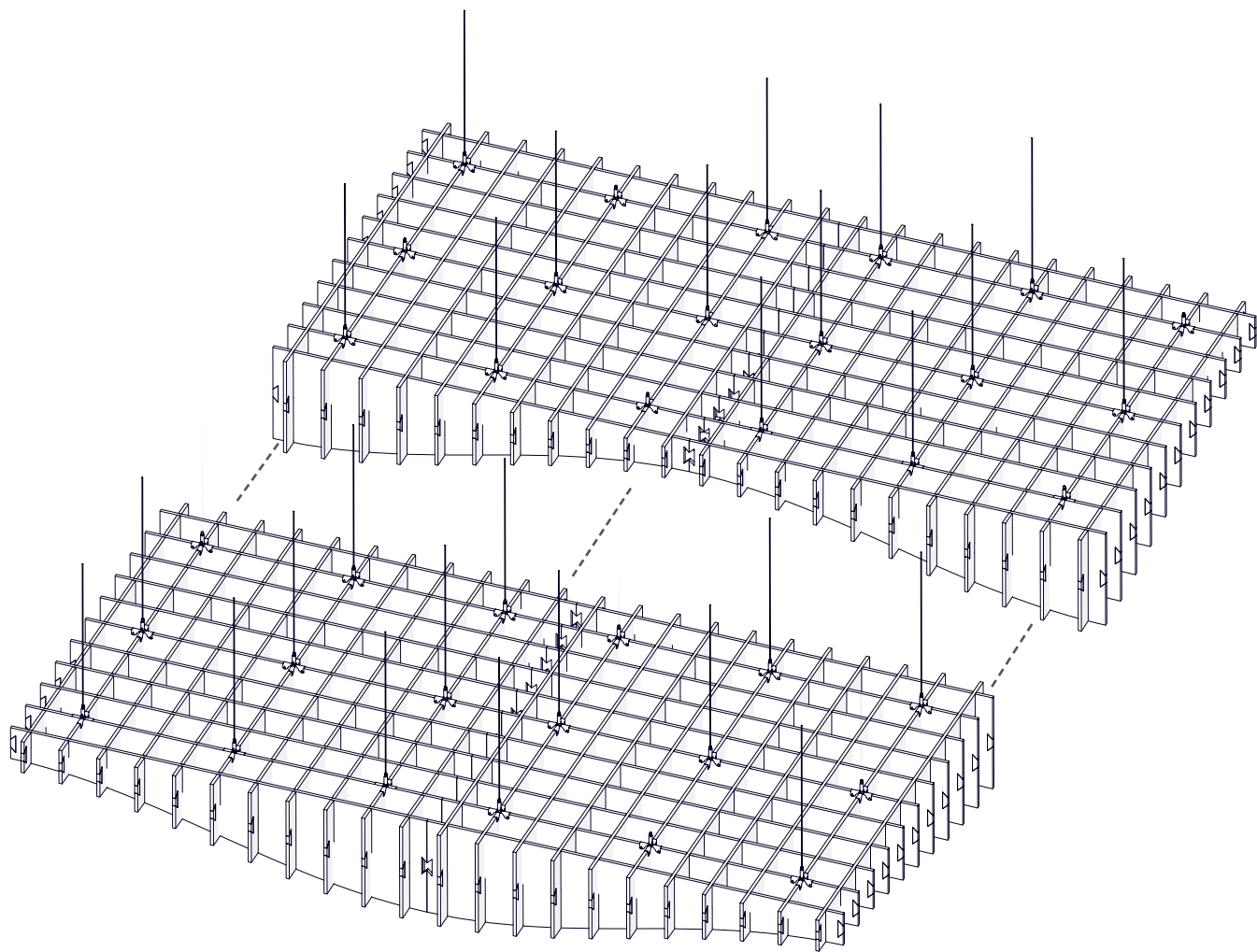
Step 5: Hang and level the second module. Use the bowtie connectors to join each fin at the seam.



NET: ASSEMBLY INSTRUCTION

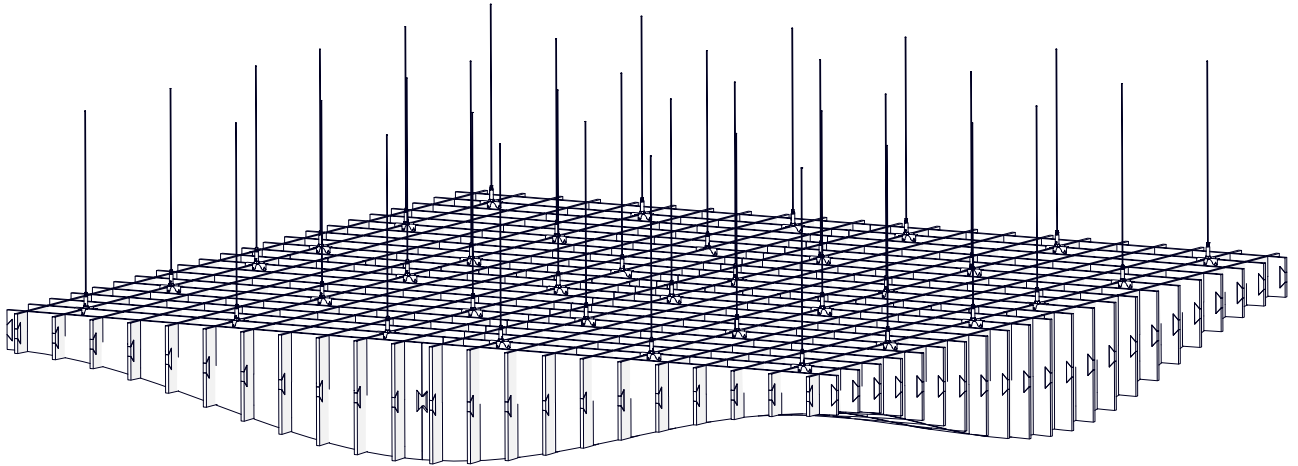
CONNECTING THE MODULES

Step 6: Connect the remaining modules.



NET: ASSEMBLY INSTRUCTION

INSTALLATION COMPLETE



For questions, concerns or help with installation,
contact support@frasch.com