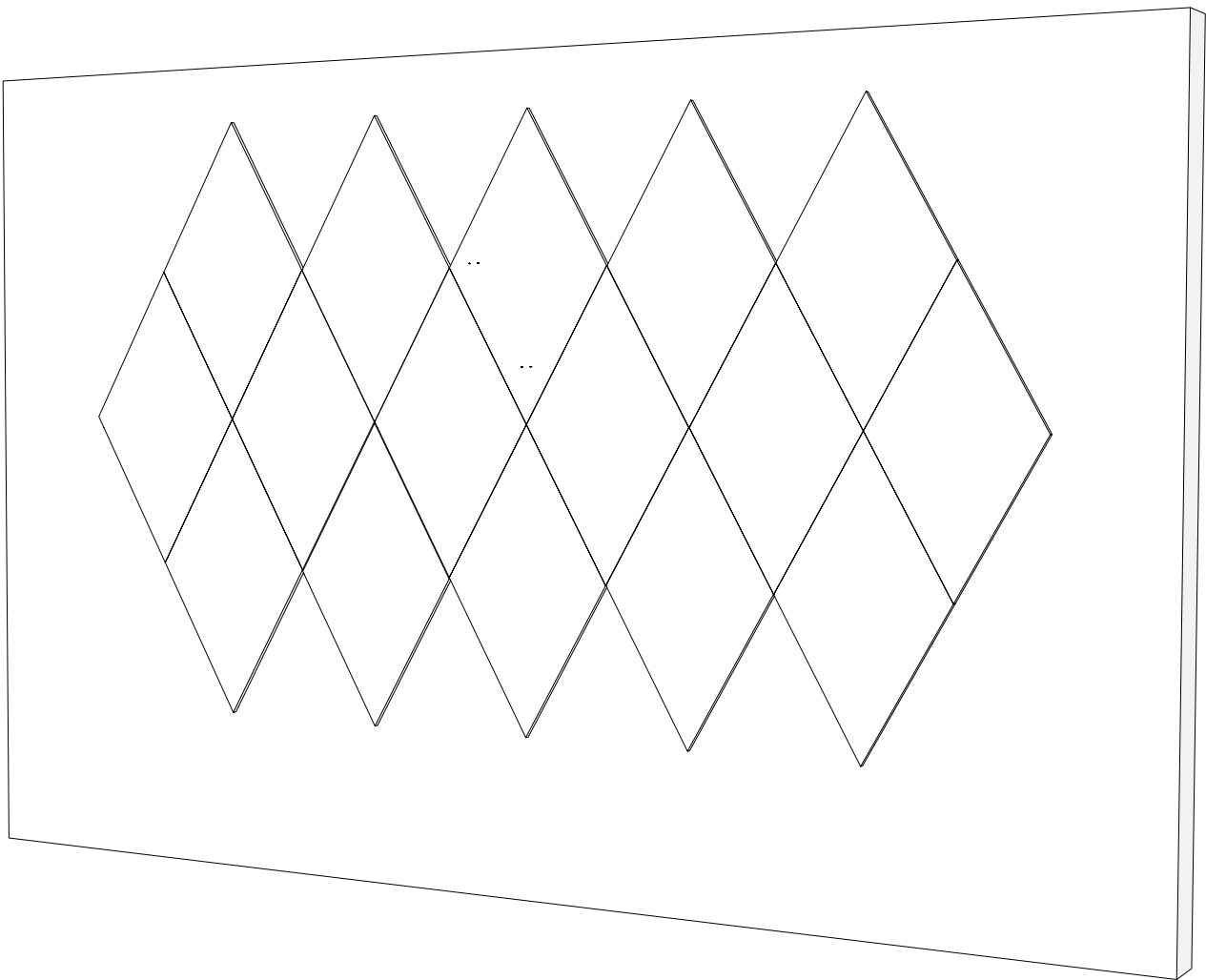


# DIAMOND

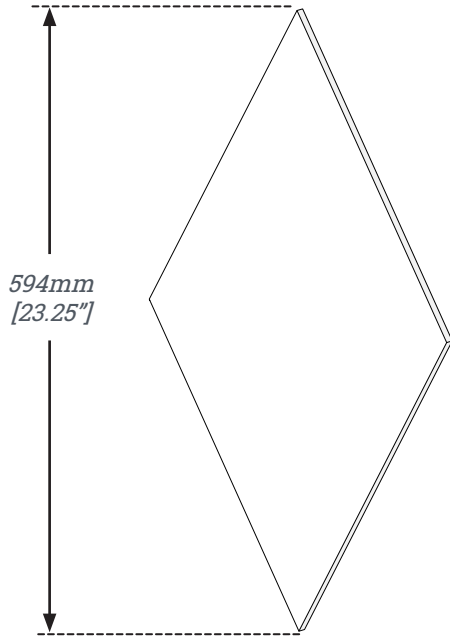
## INSTALLATION INSTRUCTIONS



## DIAMOND

---

### INCLUDED COMPONENTS



**DIAMOND [single panel]**  
*Available 9MM, 12MM & 18MM Thickness*

---

### INCLUDED HARDWARE

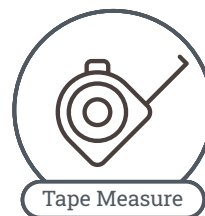
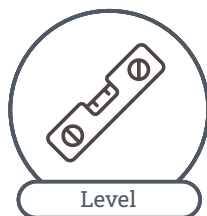


**NOTE:**

DIAMOND panels can be adhered directly to the wall. Adhesive is **NOT** included, but 3095 carpet glue or Liquid Nails is recommended.

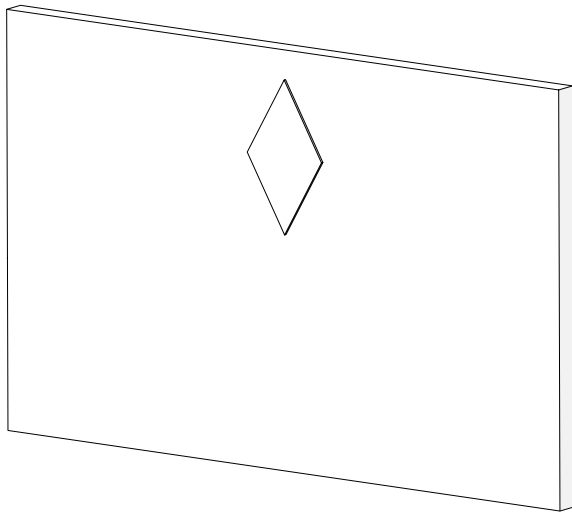
---

### REQUIRED TOOLS



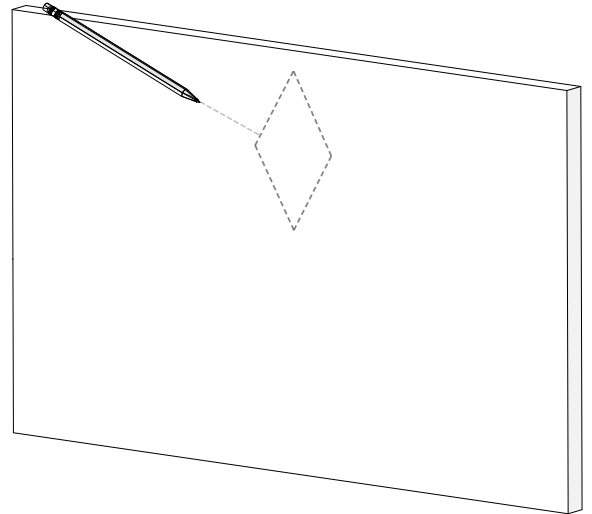
## DIAMOND

### INSTALLATION INSTRUCTIONS



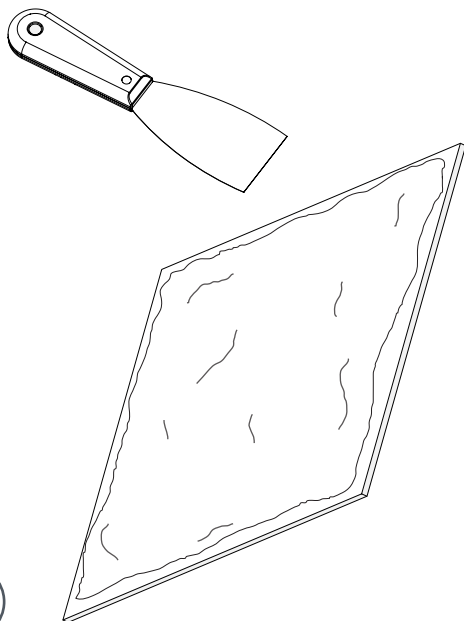
**A**

Position the DIAMOND panel against the installation surface



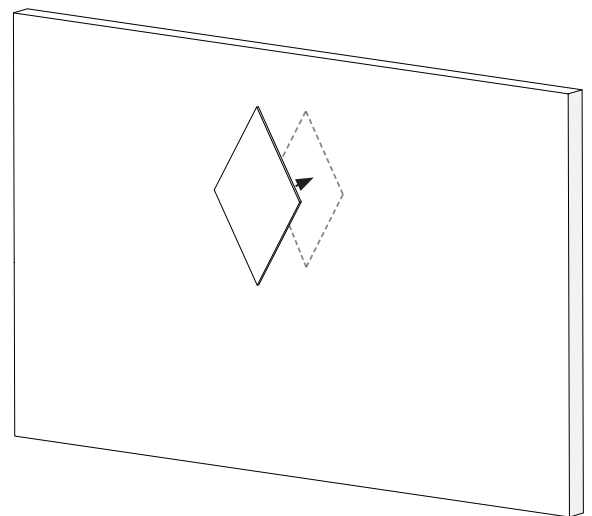
**B**

Mark the location of the first panel.



**C**

Apply a generous layer of your chosen adhesive to the installation side of the panel.



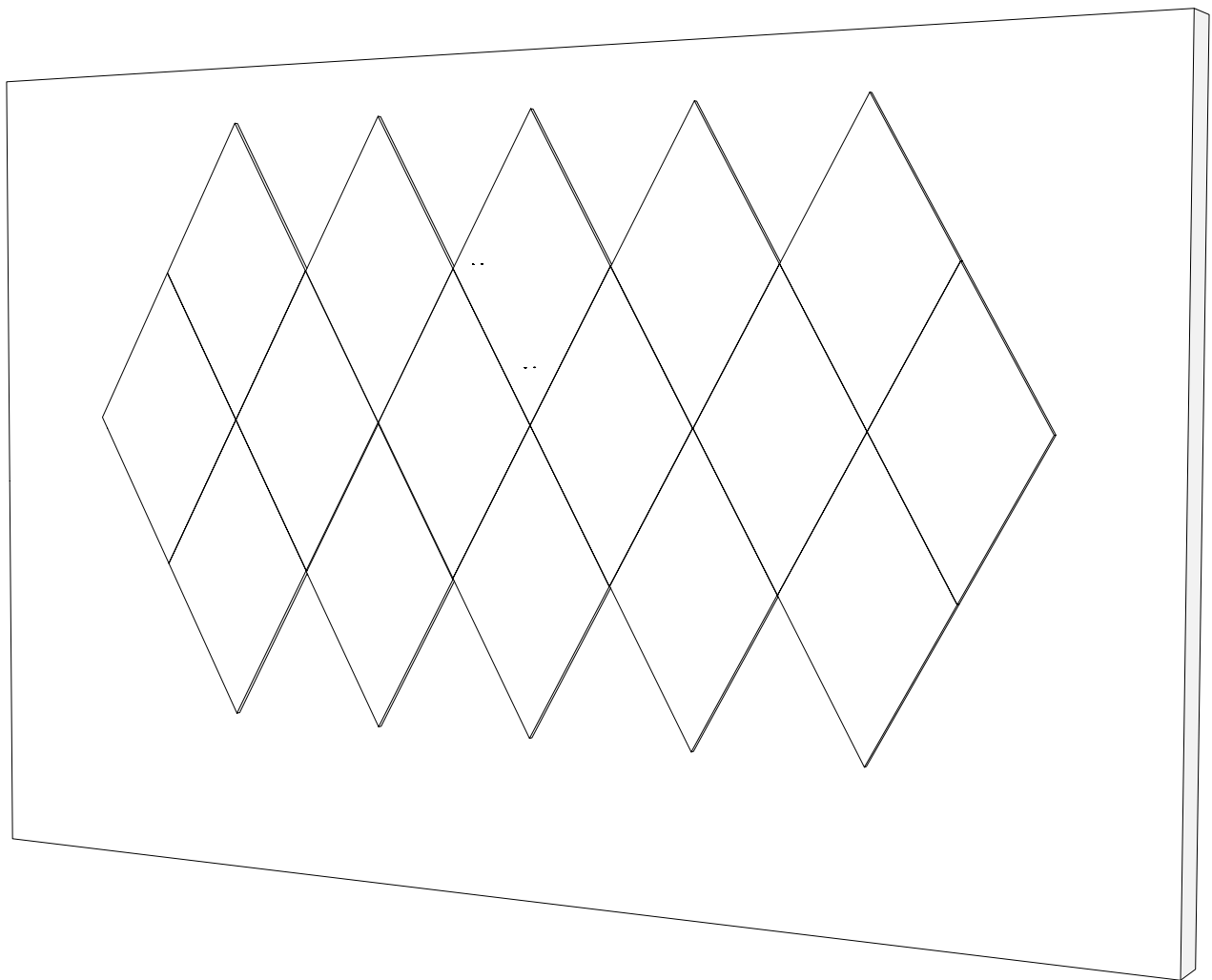
**D**

Press the panel onto the surface according to your markings.

## DIAMOND

### INSTALLATION INSTRUCTIONS

- E** Repeat the previous steps to complete your desired configuration or pattern.



# Installation Complete.