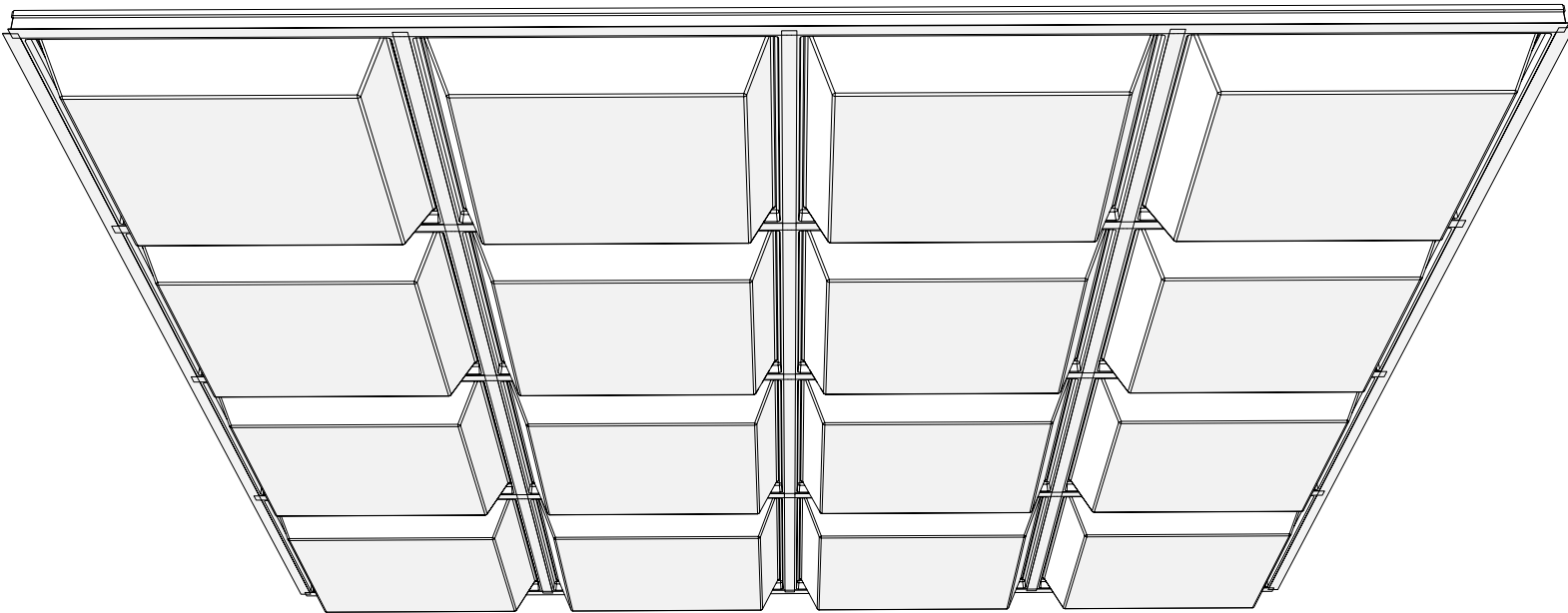


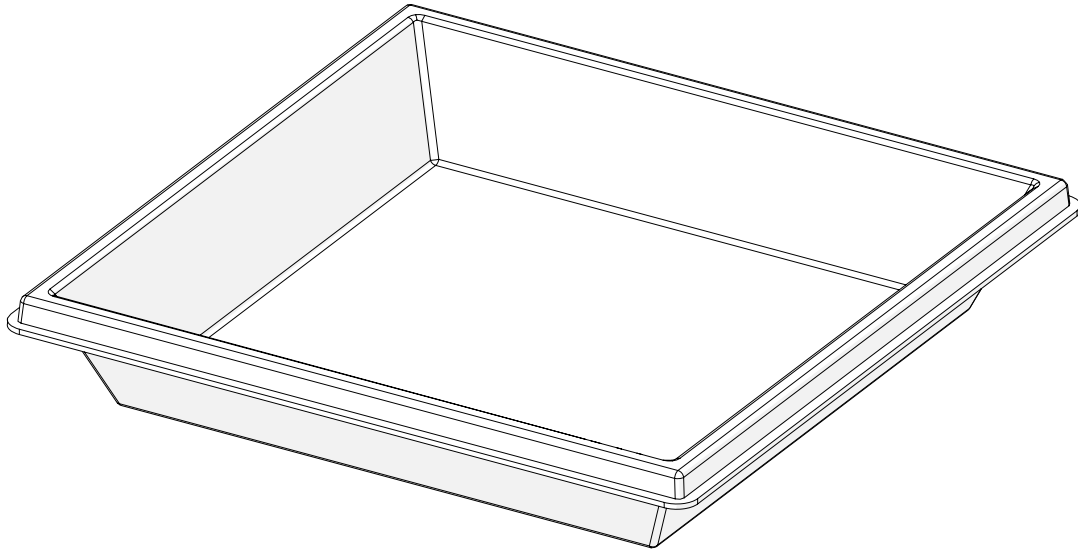
# VIBE: COFR

## INSTALLATION INSTRUCTIONS



## VIBE: COFR - INCLUDED COMPONENTS

*Quantities dependent on order specifications.*



COFR Panel

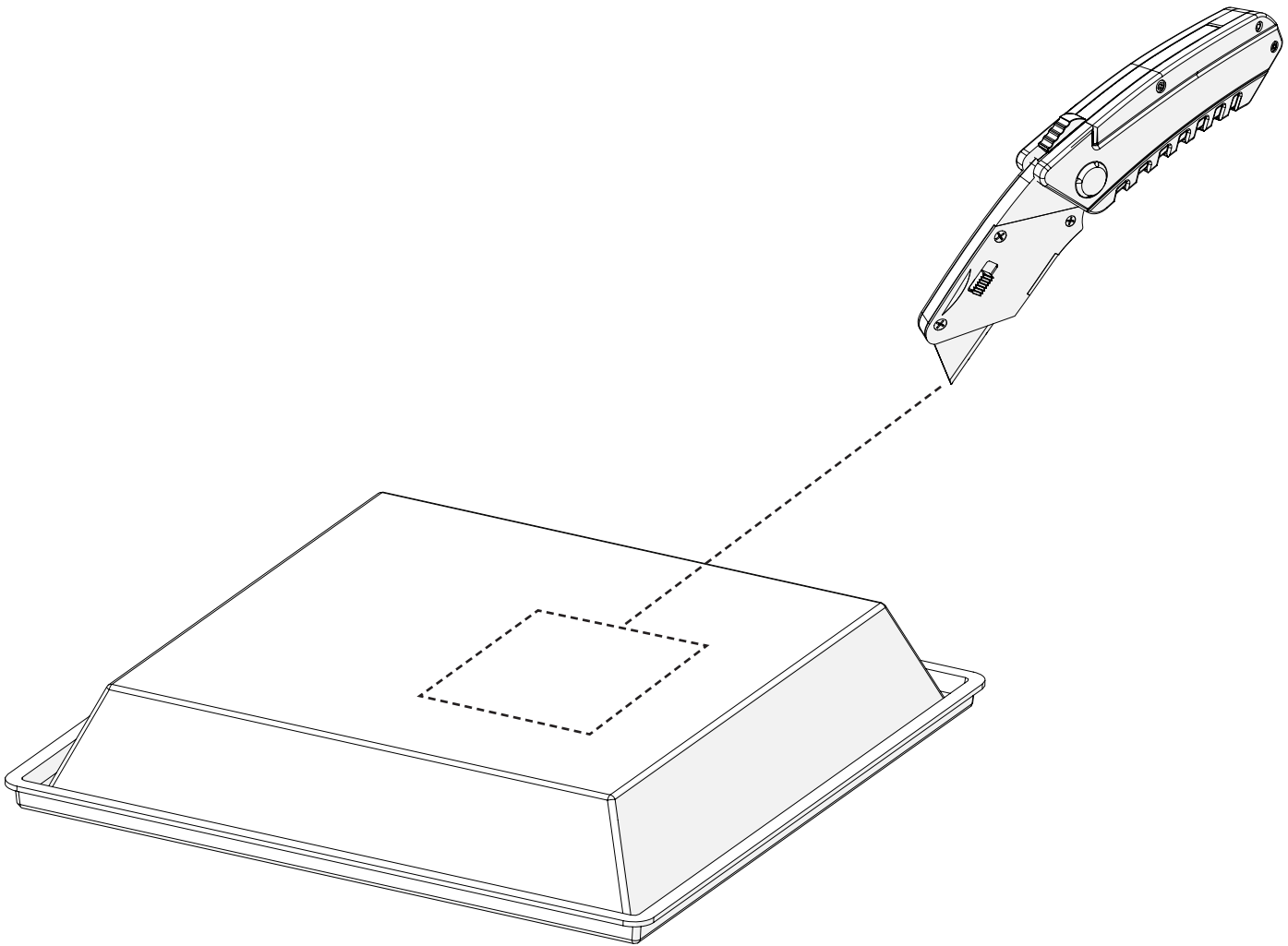
### REQUIRED TOOLS



Razor Knife

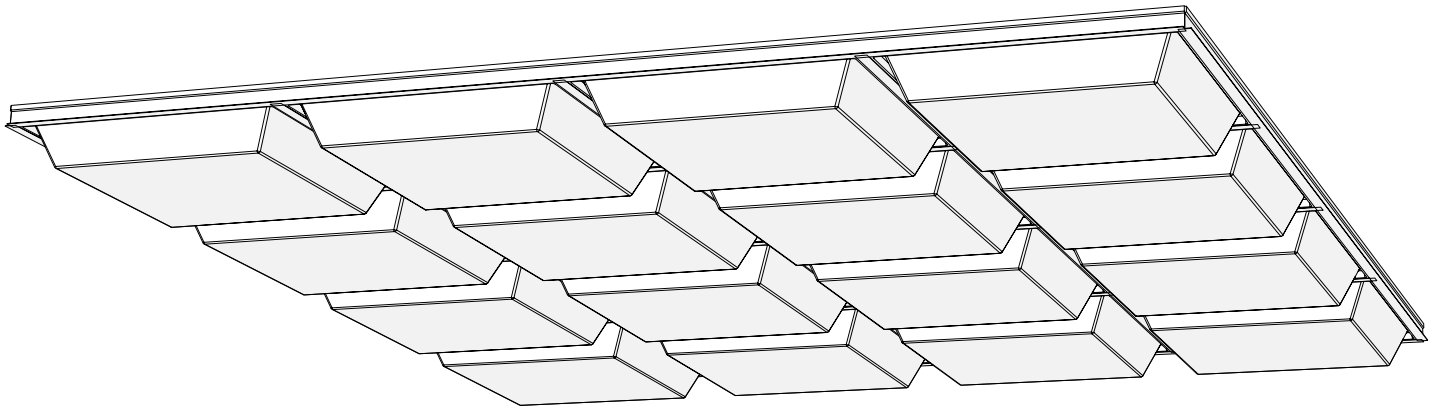
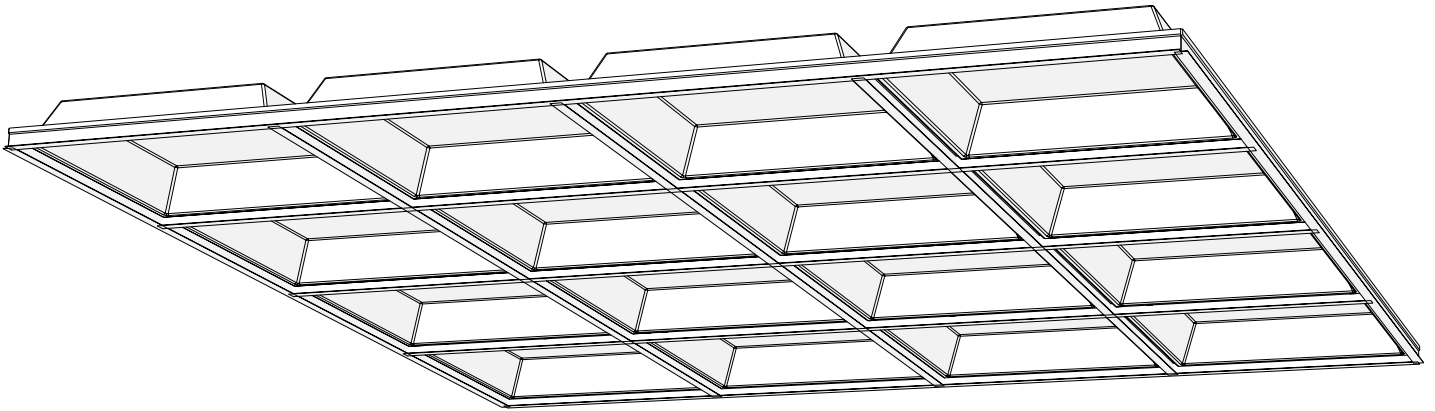
## VIBE: COFR

COFR panels can be easily cut with a razor knife to make openings for sprinklers, lights or any other ceiling components.

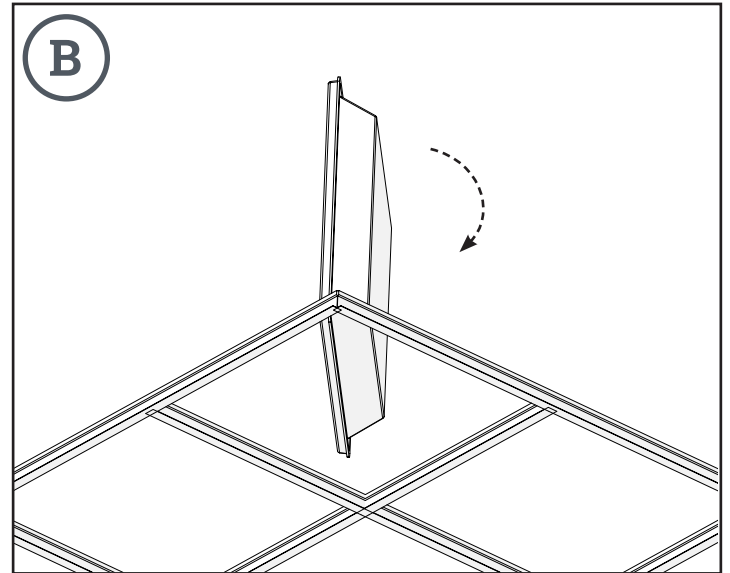
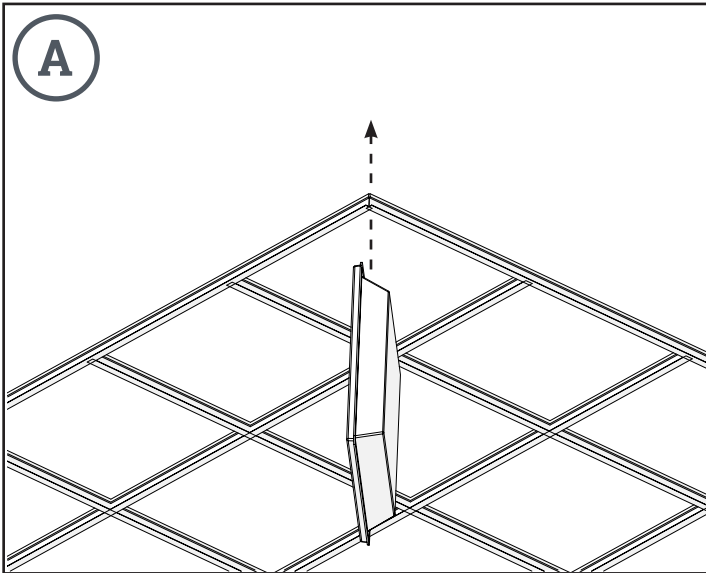


## VIBE: COFR: INSTALLATION INSTRUCTIONS

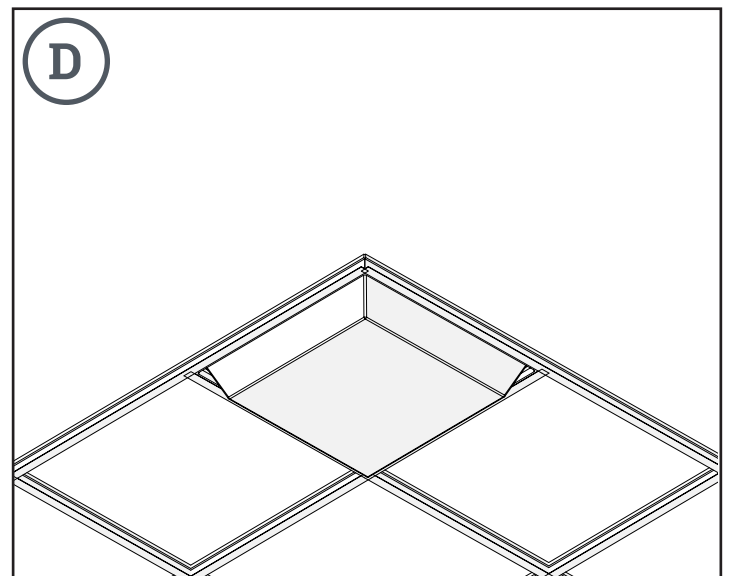
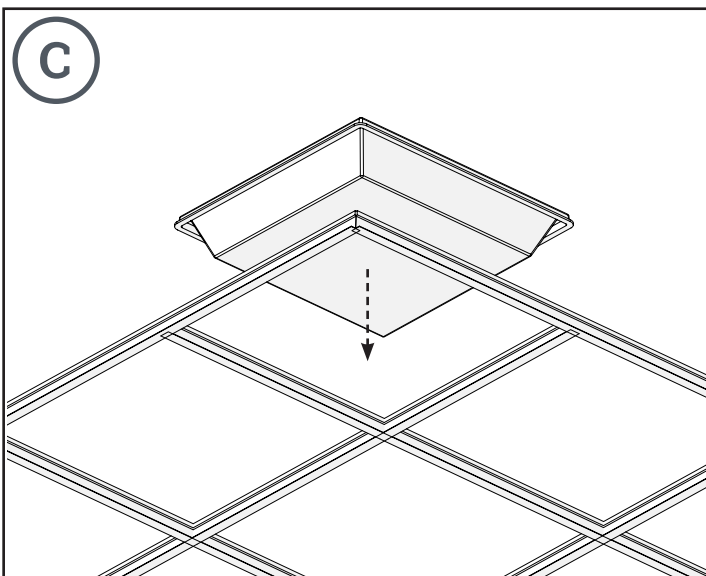
COFR can be installed in a “recess up” or “recess down” orientation as shown below. The installation procedure is the same for both.



## VIBE: COFR: INSTALLATION INSTRUCTIONS



Insert the panel into the existing T-Grid cell at a diagonal angle. With the panel inside the ceiling, rotate it into alignment with the T-Grid opening.



Drop the COFR panel onto the T-Grid, and ensure it is secure.

## INSTALLATION COMPLETE.