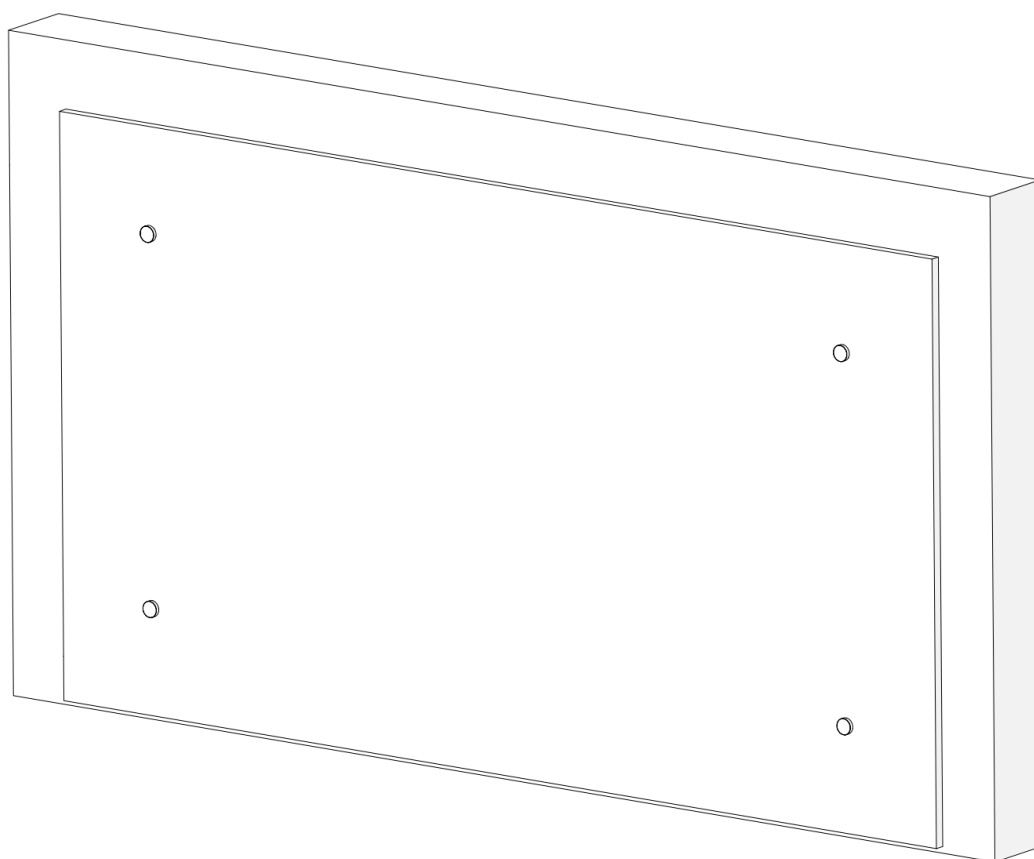


BRIK

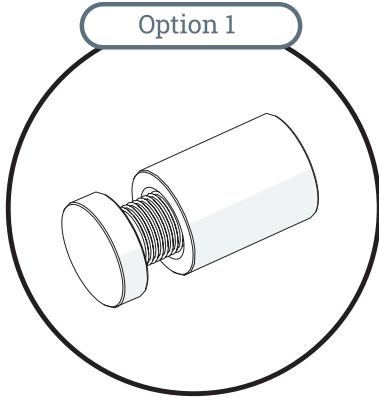
INSTALLATION INSTRUCTIONS FOR FLAT MOUNTING



BRIK

MOUNTING OPTIONS

Option 1

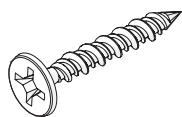


Aluminum Stand-off

REQUIRED TOOLS

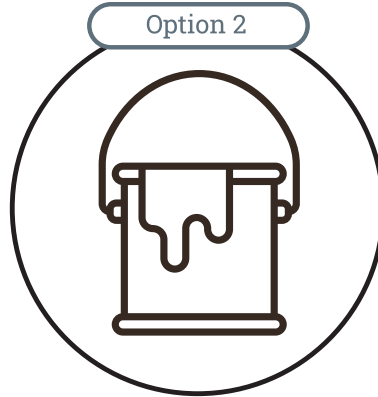


REQUIRED HARDWARE



Screws
[Selected according to installation surface]

Option 2



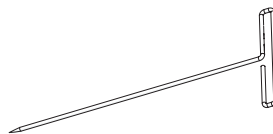
Adhesive

REQUIRED TOOLS



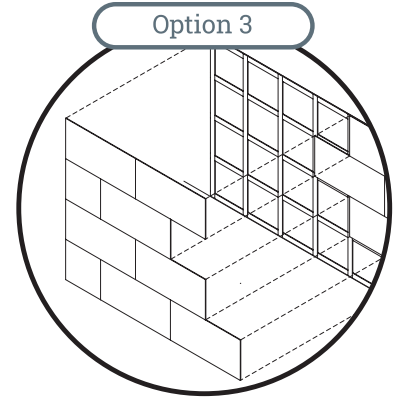
NOTE:
Panels can be adhered directly to the wall. Adhesive is NOT included, but 3095 carpet glue or Liquid Nails is recommended.

RECOMMENDED HARDWARE



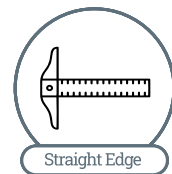
Pushpins
[Same or Similar: NOT INCLUDED]

Option 3

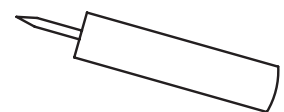


FURRING STRIPS

REQUIRED TOOLS



REQUIRED HARDWARE

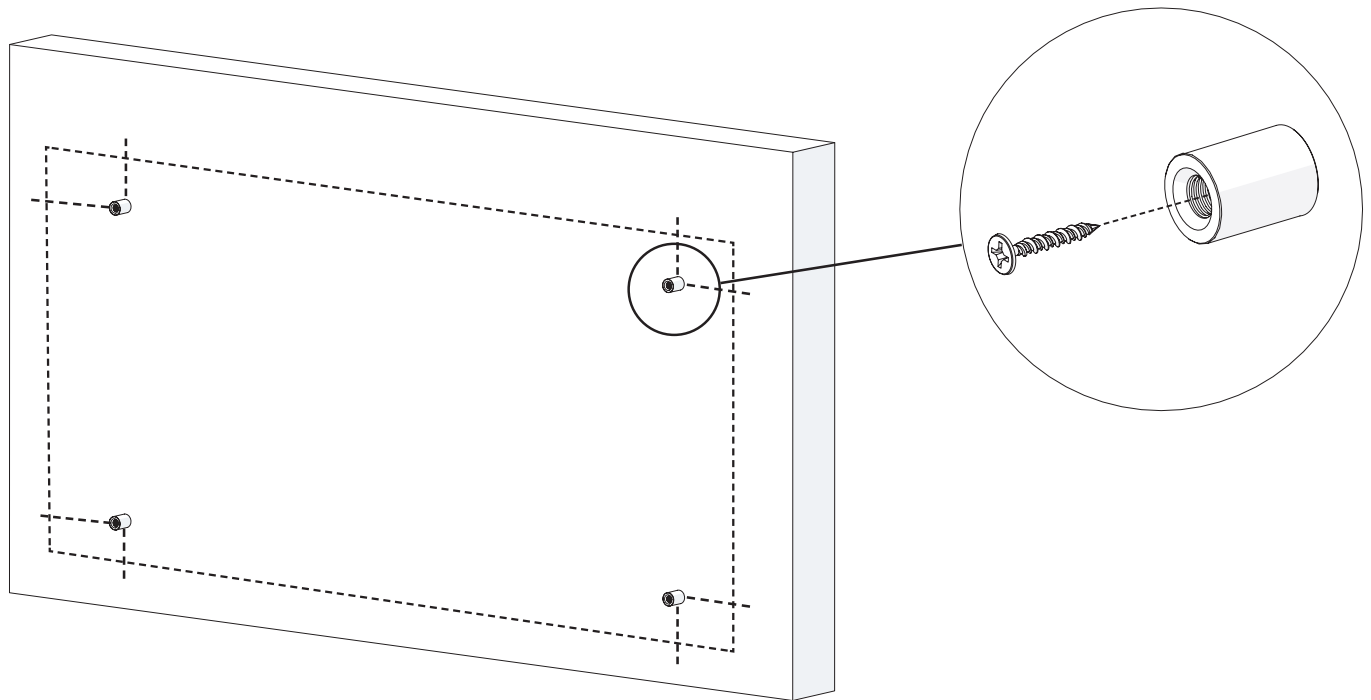


Construction Adhesive
Adhesive is NOT included, but 3095 carpet glue or Liquid Nails is recommended.

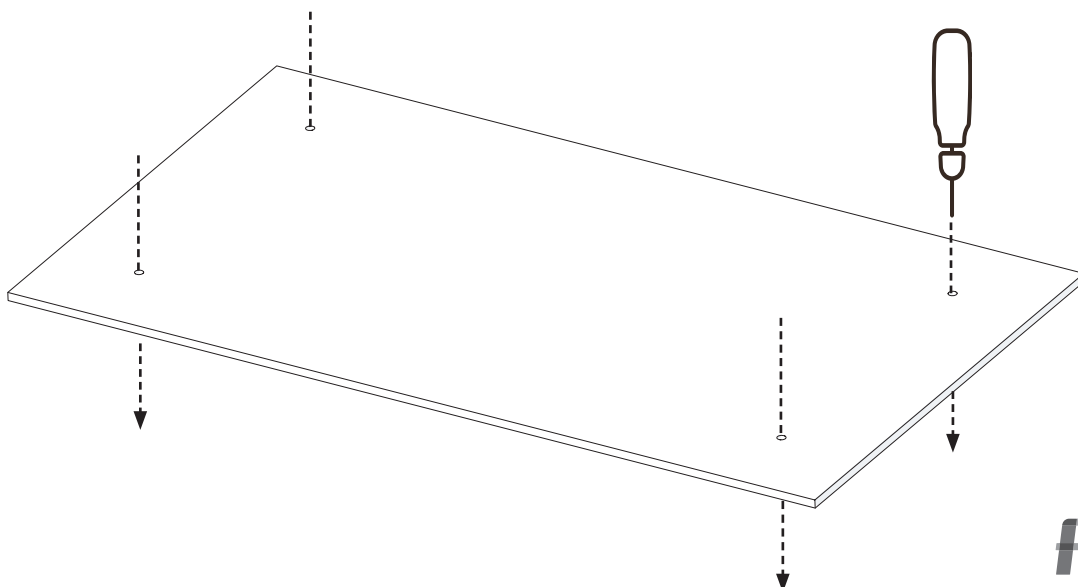
BRIK

STAND-OFF MOUNTING INSTRUCTIONS

- 1 Mark the location of the product and the mounting points on the surface and install the female threaded portion of the stand-offs at appropriate locations as shown below.



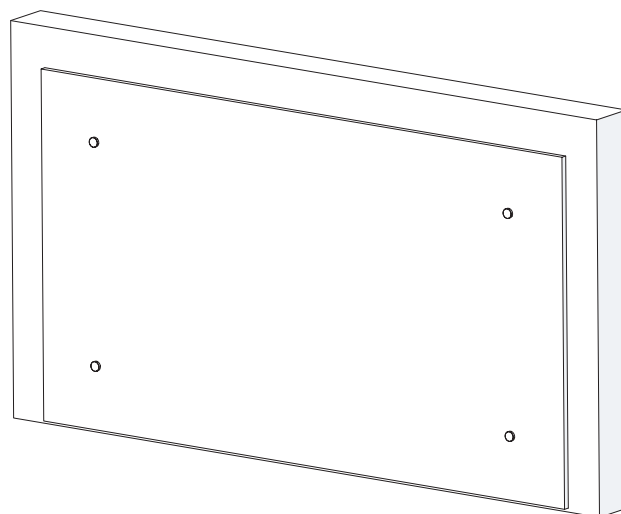
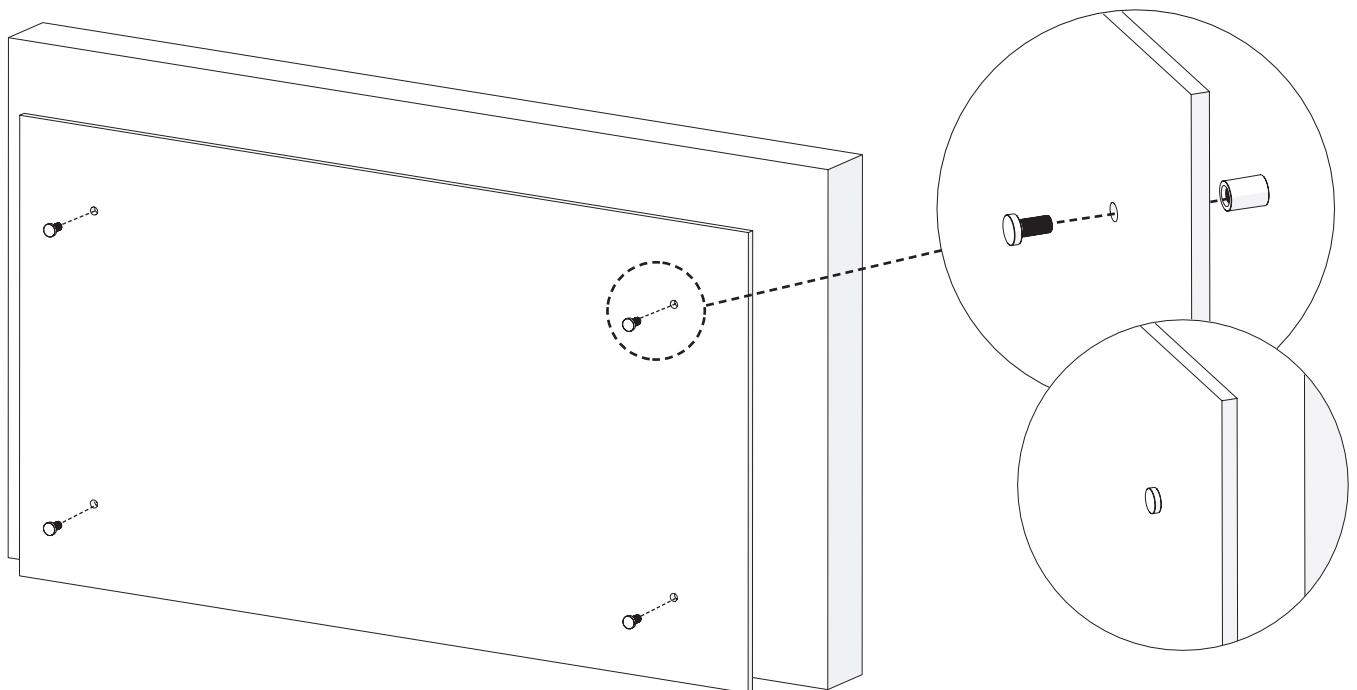
- 2 Mark the corresponding location of the stand-off positions on the back of the felt. Use a hot soldering iron to create through holes on in the felt for the male threaded portion of the stand-offs.



BRIK

STAND-OFF MOUNTING INSTRUCTIONS

- Line the felt up to the female portion of the stand-offs and screw in the male threaded caps to secure the product to the wall.

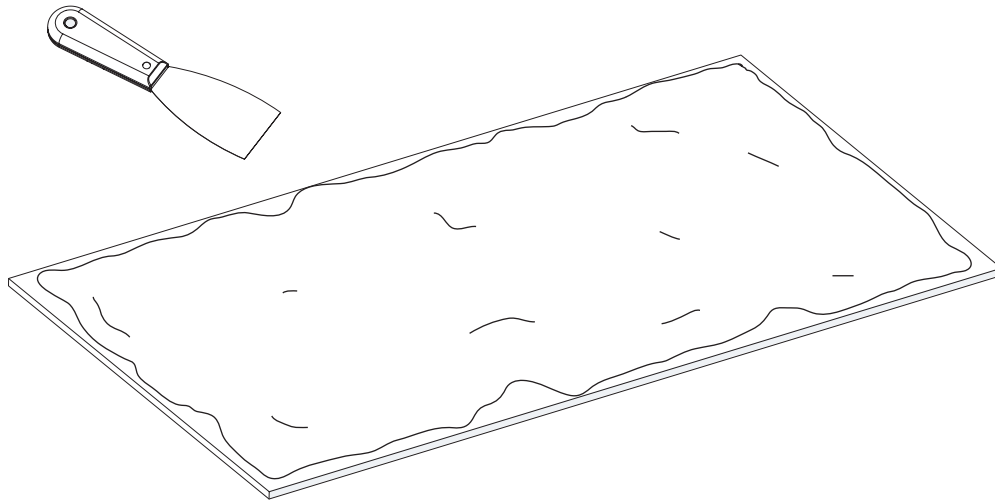


INSTALLATION COMPLETE

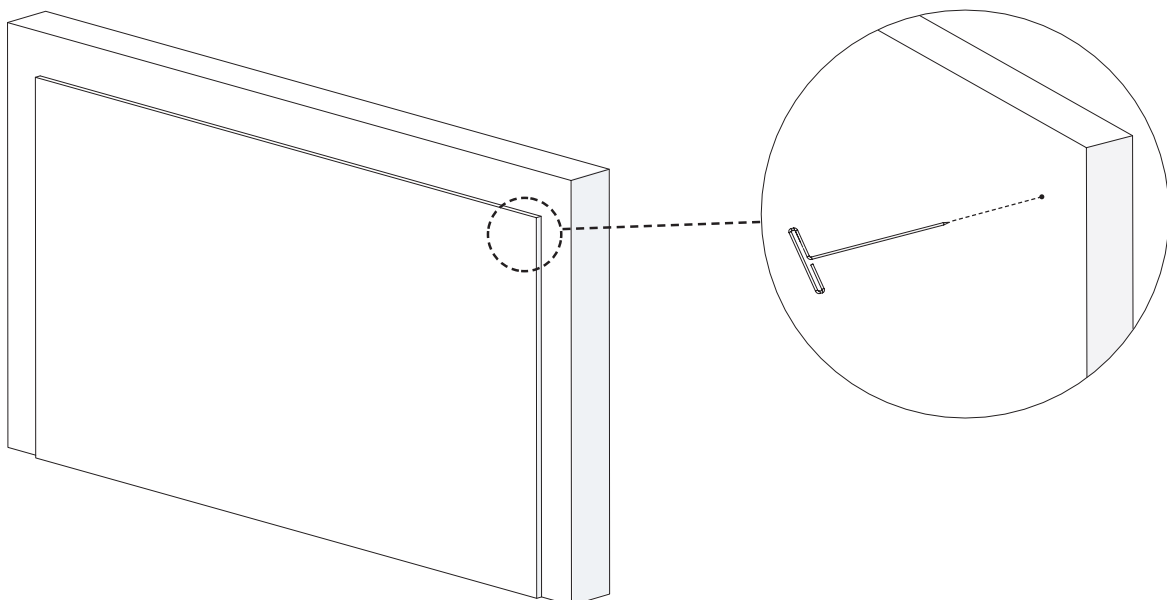
BRIK

ADHESIVE MOUNTING INSTRUCTIONS

- 1 Apply a generous layer of adhesive to the BRIKs and spread evenly with a putty knife.



- 2 Press the BRIKs firmly against the installation surface and fix in place with push pins. Remove the pins when the adhesive has been allowed to cure according to the manufacturer instructions.

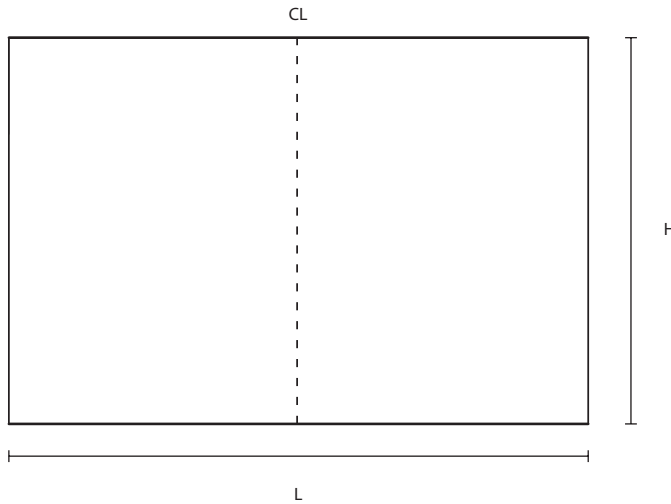


INSTALLATION COMPLETE

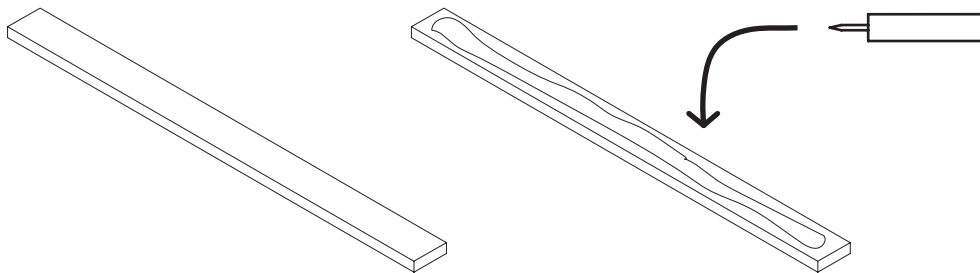
BRIK

FURRING STRIPS MOUNTING INSTRUCTIONS

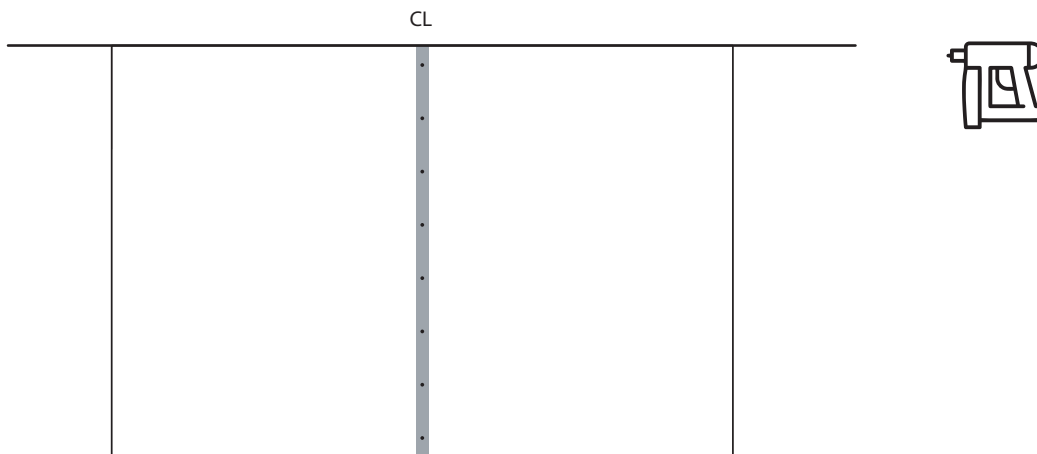
- 1 Measure the length and height of the wall.



- 2 Lay down the furring strips on the ground and apply adhesive to the back.



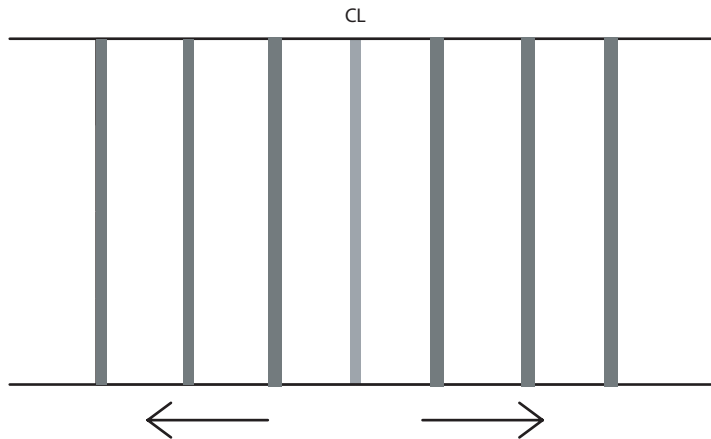
- 3 Place the first vertical furring strip on the center of the wall. Use a brad nailer to attach furring strip.



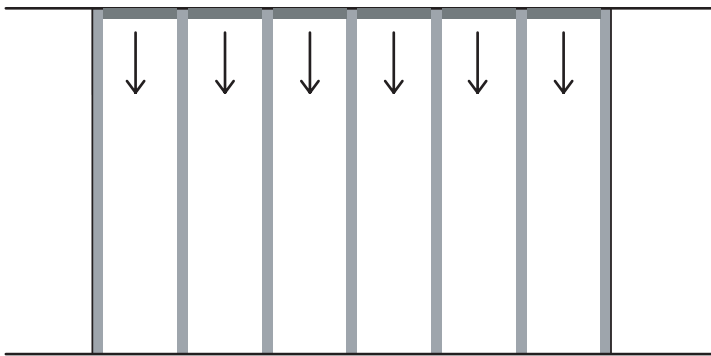
BRIK

FURRING STRIPS MOUNTING INSTRUCTIONS

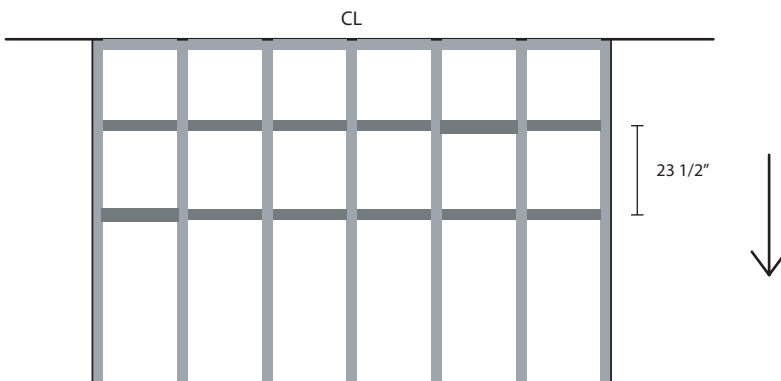
- 4** Place vertical furring strips 23 1/2" apart starting in the center and working outward. Cut the material to match the height of the wall.



- 5** Place the first row of horizontal furring strips flush with the top of the wall.



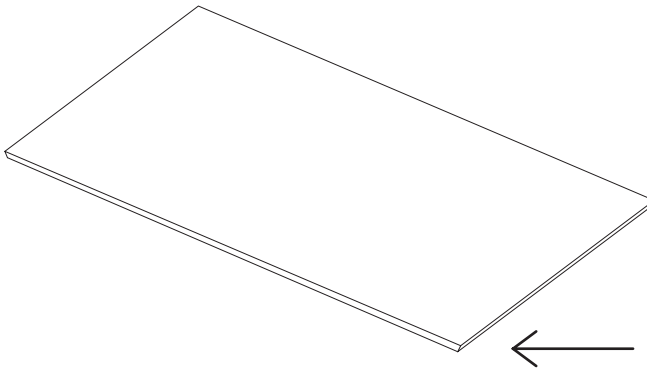
- 6** Place horizontal furring strips 23 1/2" apart starting at the top of the wall working downward.



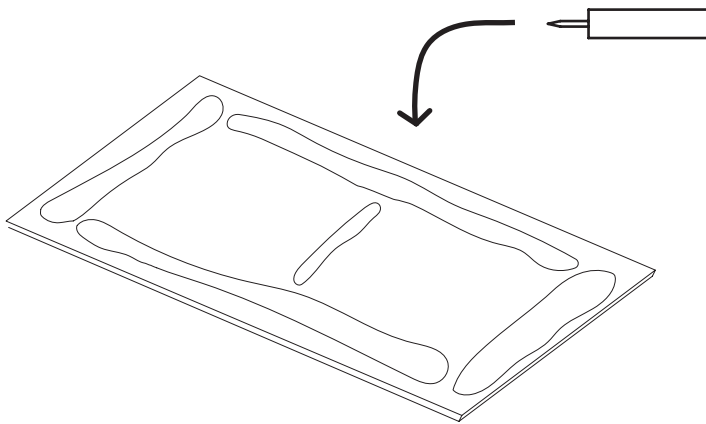
BRIK

FURRING STRIPS MOUNTING INSTRUCTIONS

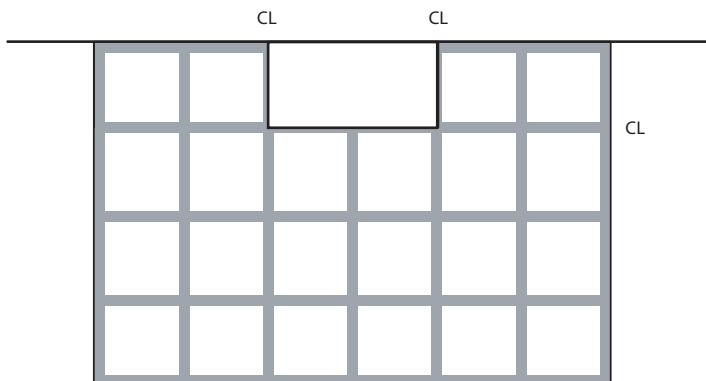
- 7 Lay the BRIKs on the floor with the chamfered edge facing down (if applicable)



- 8 Apply adhesive at the location of the furring strips



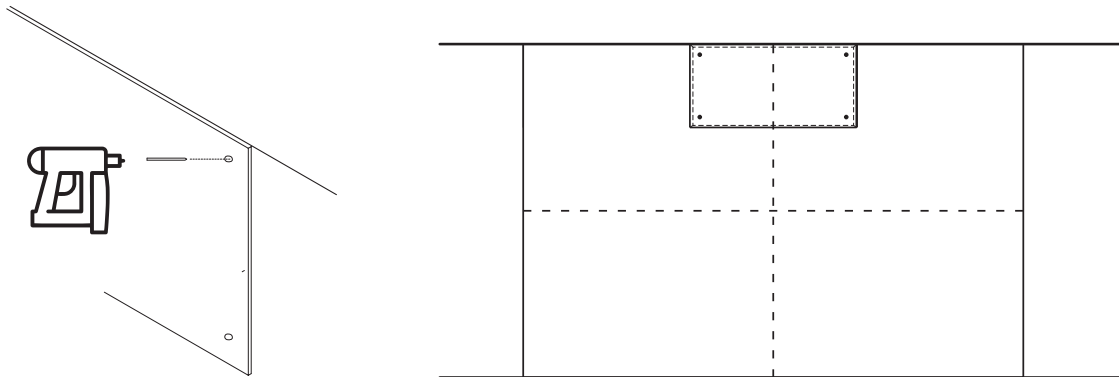
- 9 Take the first BRIK and align it properly on the furring strip



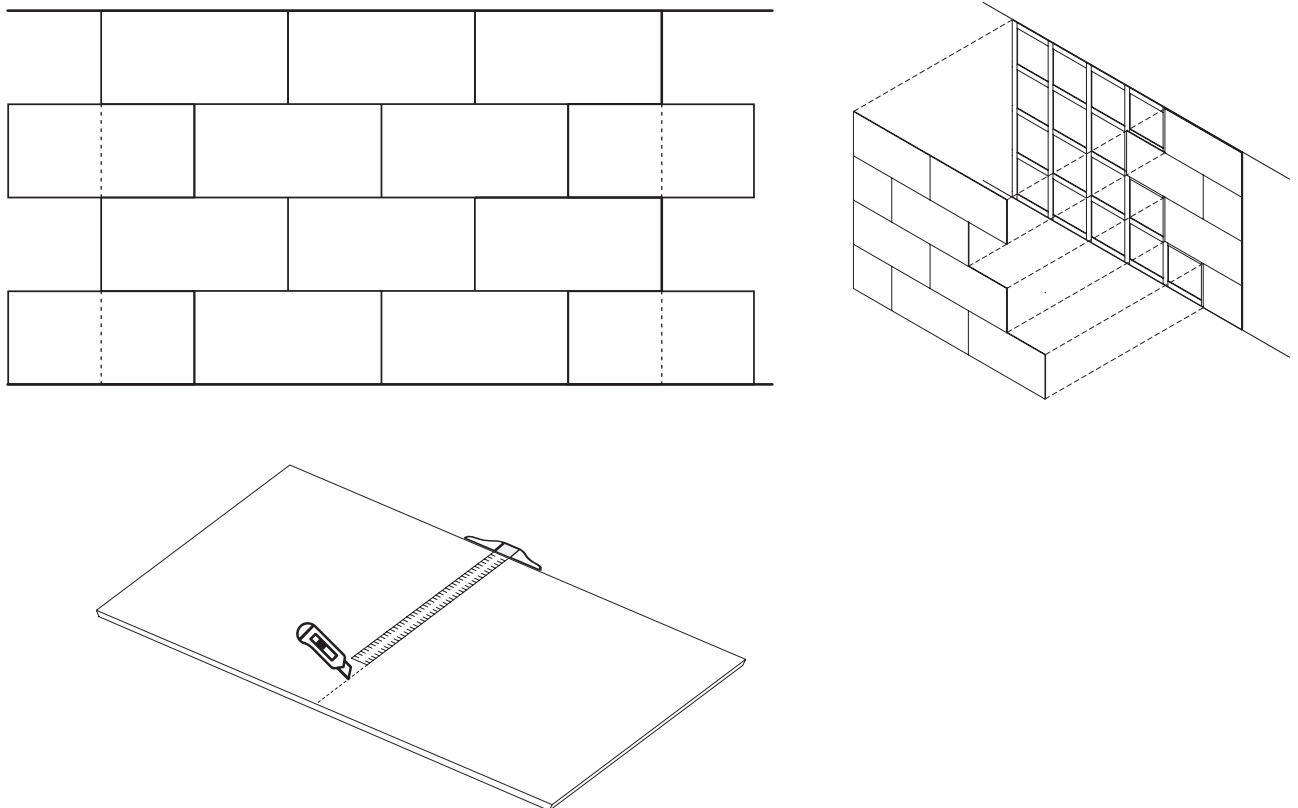
BRIK

FURRING STRIPS MOUNTING INSTRUCTIONS

- 10** Secure BRIKs to the furring strips with brad nails while adhesive is drying



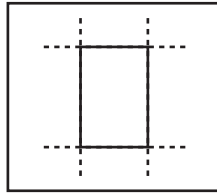
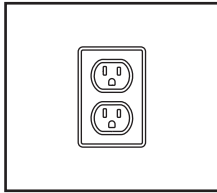
- 11** Use a box cutter and straight edge to make cuts to fit the wall.
Tip for clean edges: Use smooth continued motion to cut through half the thickness of the material. Go over the same line again to complete the cut.



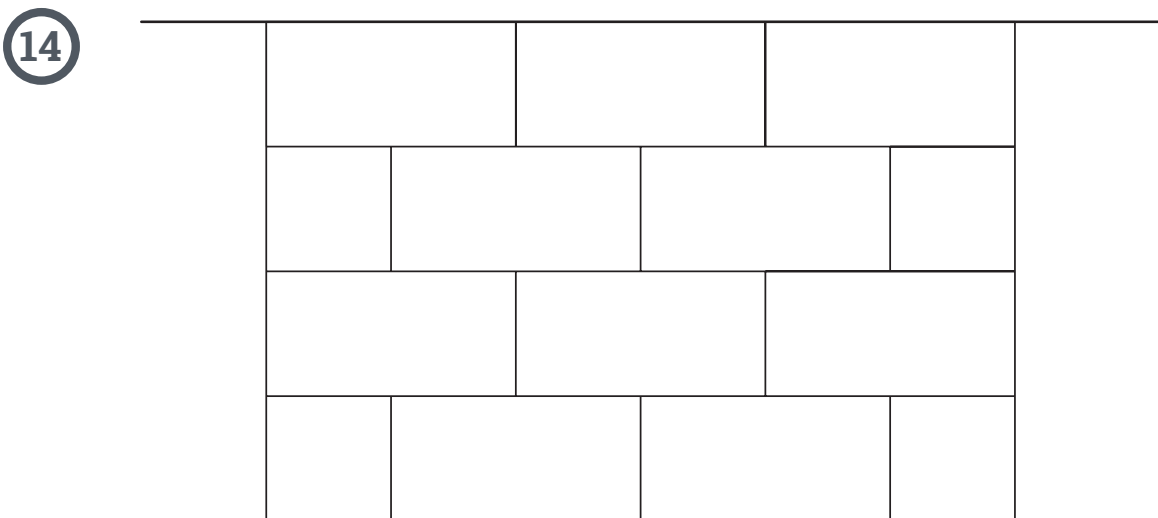
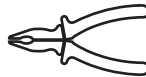
BRIK

FURRING STRIPS MOUNTING INSTRUCTIONS

12 Follow instructions in step #11 for cuts around outlets or other obstructions.



13 Once the adhesive has dried, use pliers to remove the brad nails.



INSTALLATION COMPLETE