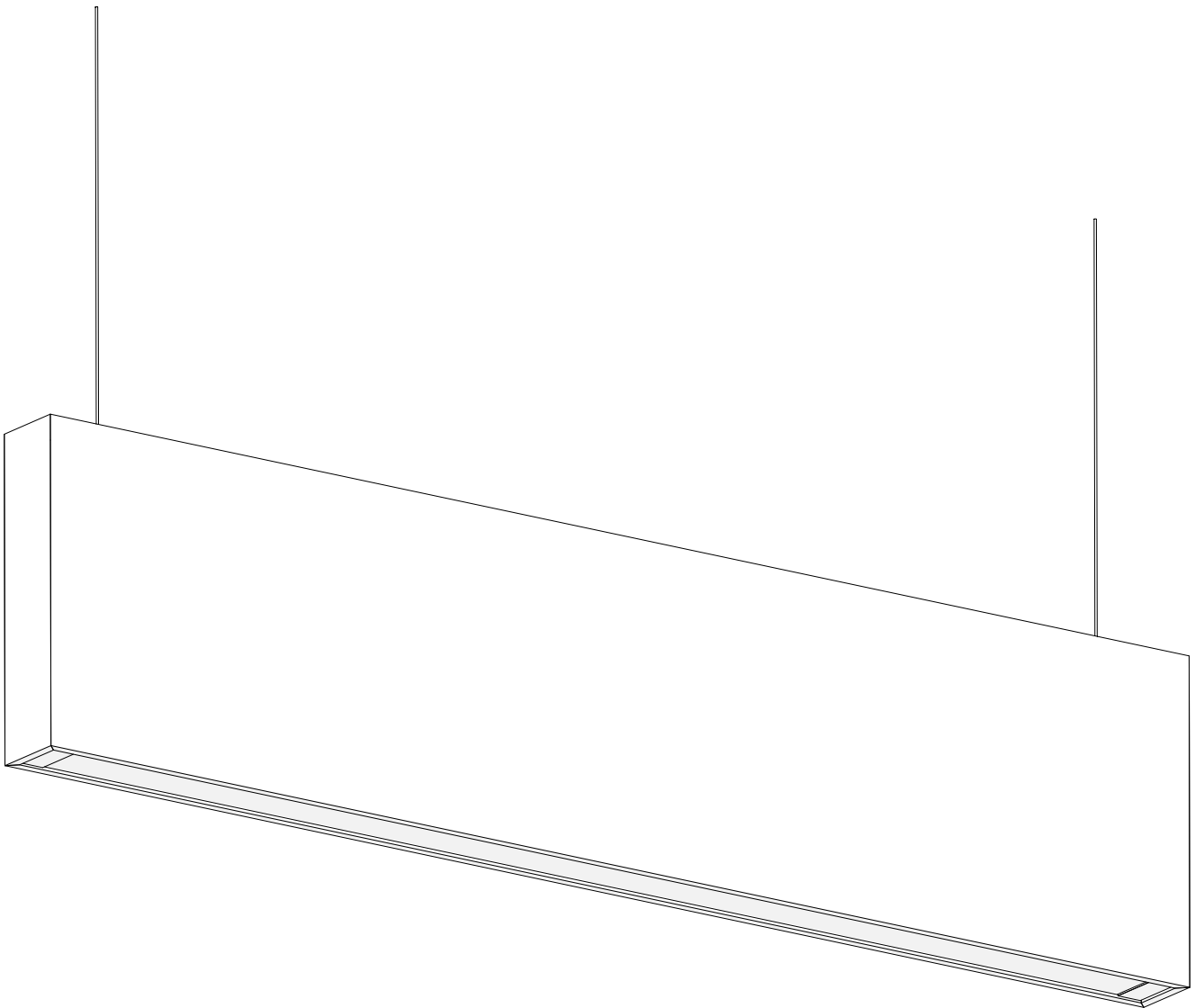


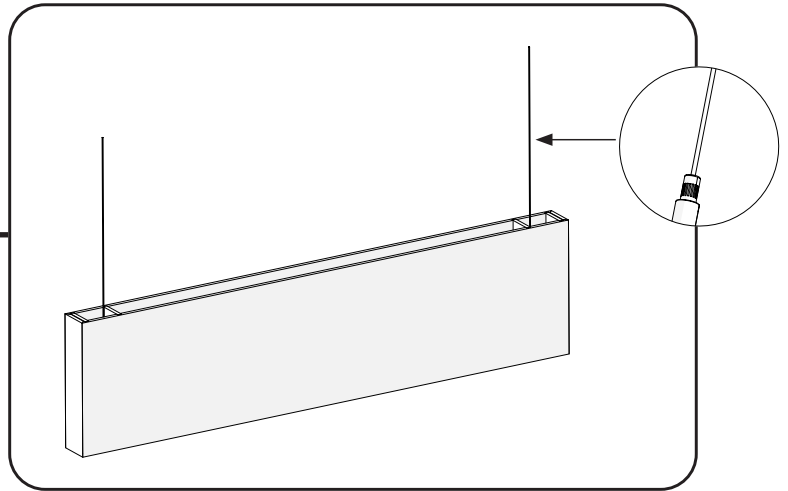
# \*BAFL BLADE [LIT]\*

## INSTALLATION INSTRUCTIONS

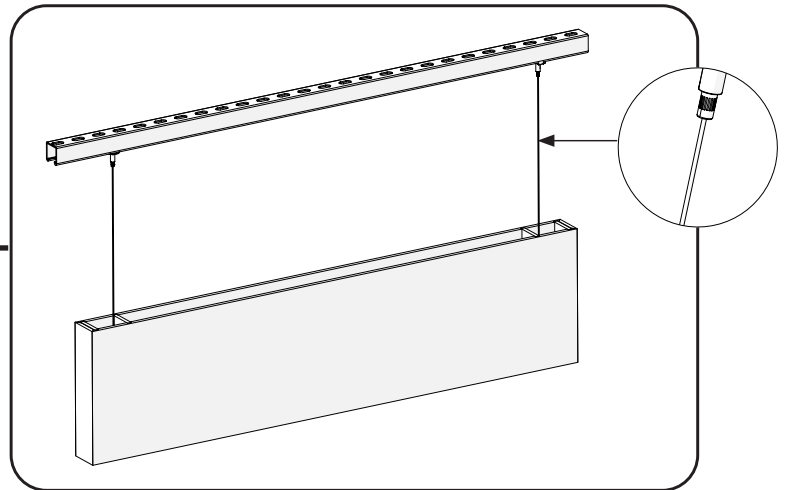


## HARDWARE CONFIGURATIONS

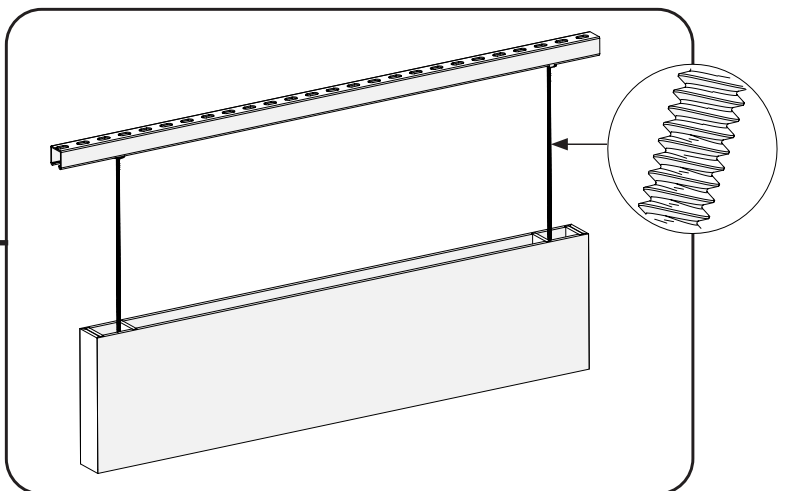
● Standard [Pg.3]



● Unistrut + Aircraft Cable [Pg. 15]



● Unistrut + Threaded Rod [Pg.9]

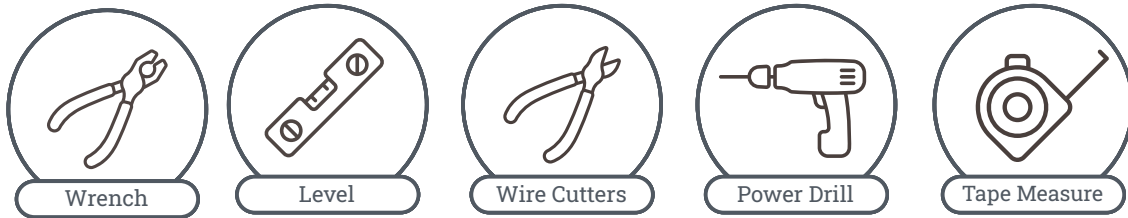


## STANDARD HARDWARE [CABLE]

BAFL [LIT] ships with a standard cable hardware configuration, which does not include direct-to-ceiling mounting hardware. Specialty hardware configurations are available upon request.

Instructions for specialty hardware configurations begin on page 8.

### REQUIRED TOOLS

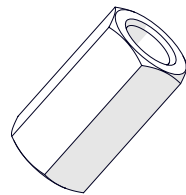


### INCLUDED HARDWARE

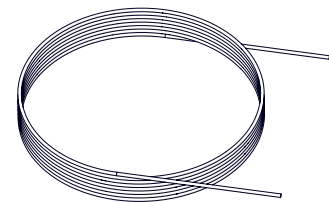
*Quantities shown are for [1] single BAFL.*



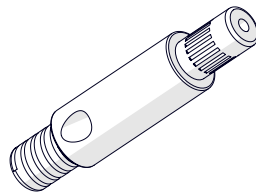
1/4" -20 Threaded Rod **x1.5ft**



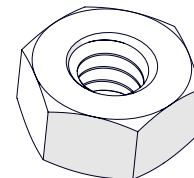
1/4" -20 Coupling Nut **x2**



Aircraft Cable **3ft**



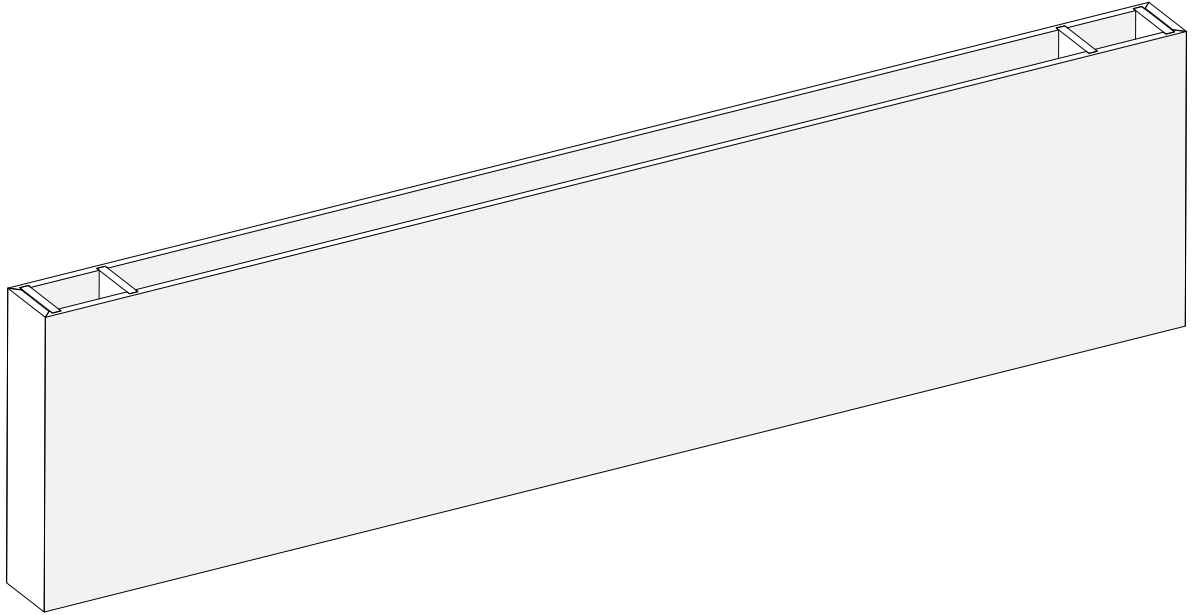
Grip Lock **x2**



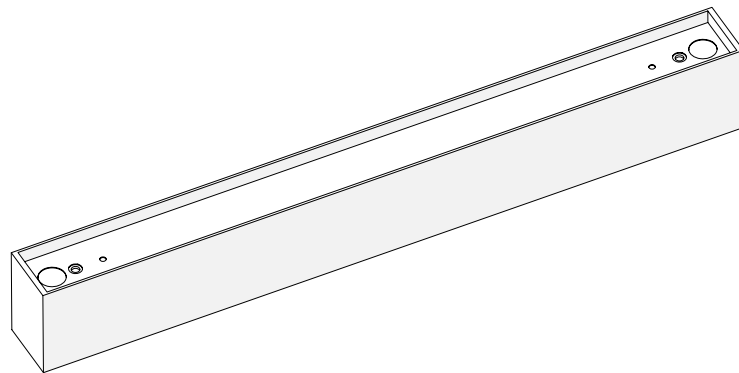
1/4" -20 Hex Nut **x2**

# STANDARD HARDWARE [CABLE]

## INCLUDED COMPONENTS



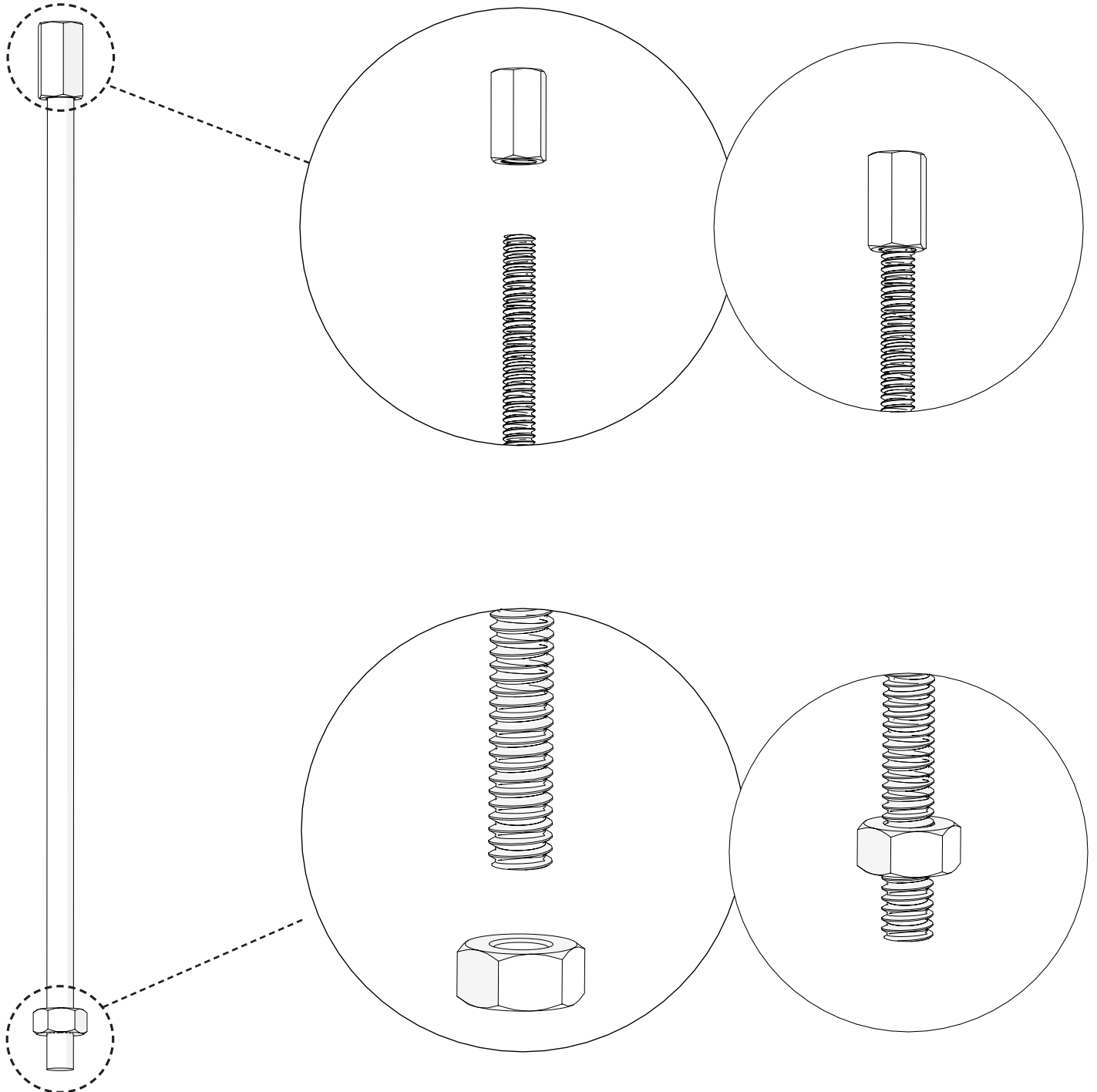
BAFL **x2**



LED light **x1**

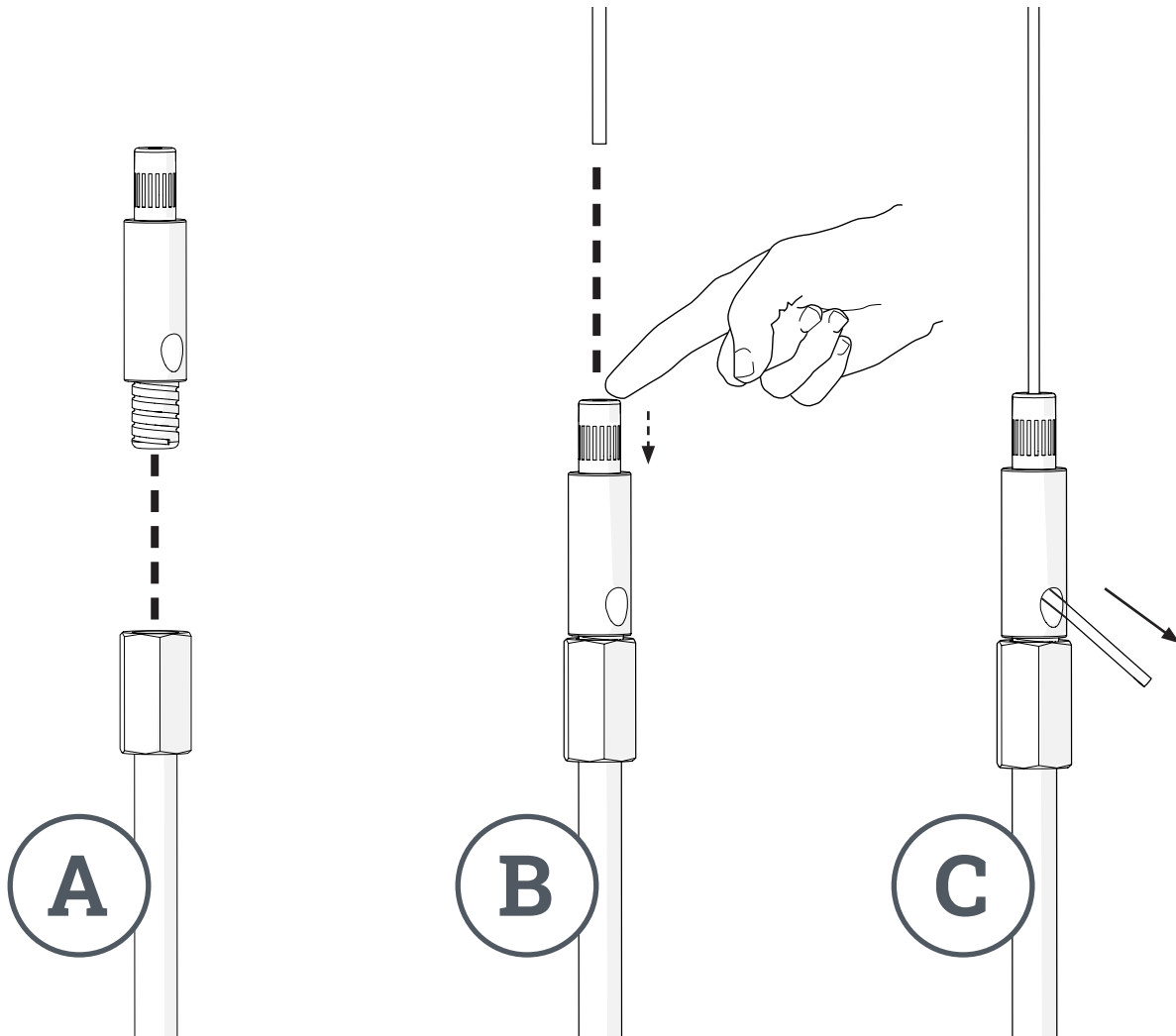
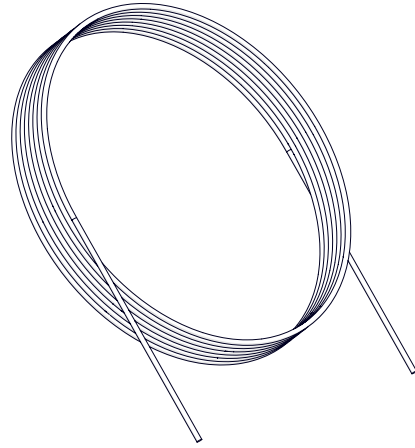
## BAFL [LIT]: INSTALLATION INSTRUCTIONS

- 1 Cut the threaded rod to size and screw the coupling nut to the top of the rod, then the hex nut to the bottom, as shown.



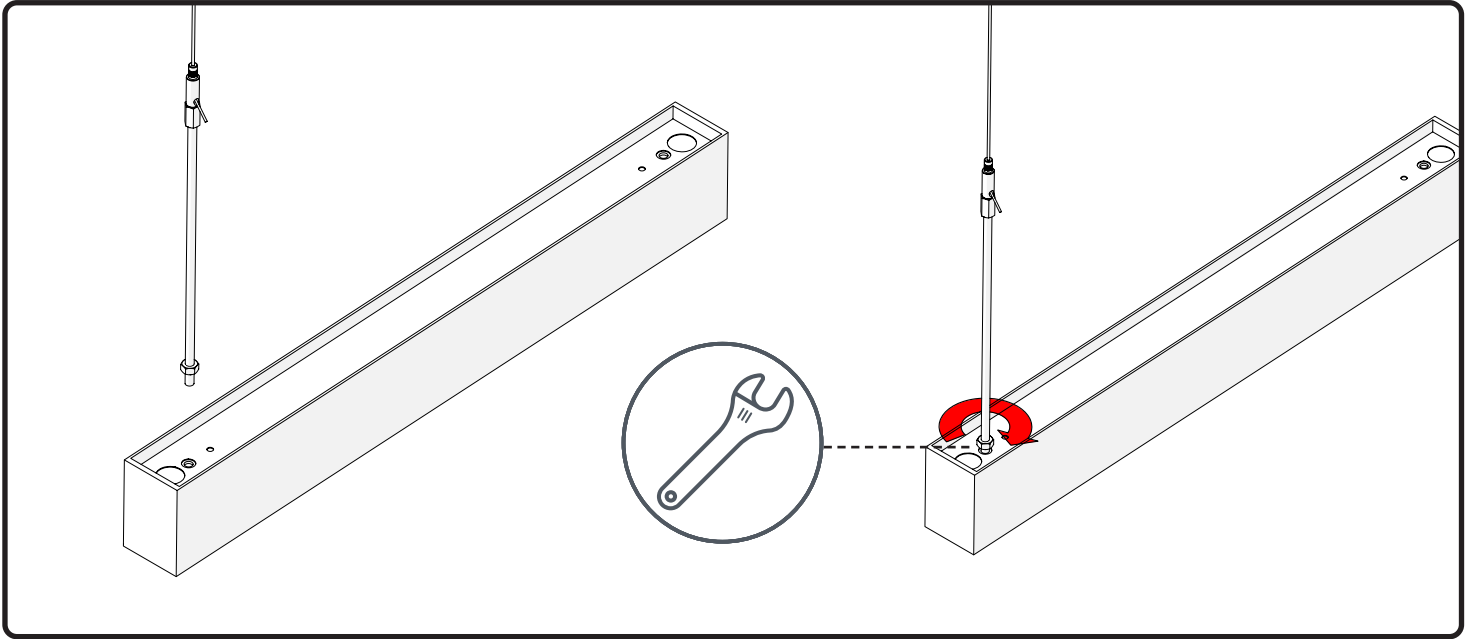
## BAFL [LIT]: INSTALLATION INSTRUCTIONS

- 2 Install the Grip Lock and aircraft cable to the coupling nut on the rod as shown below.

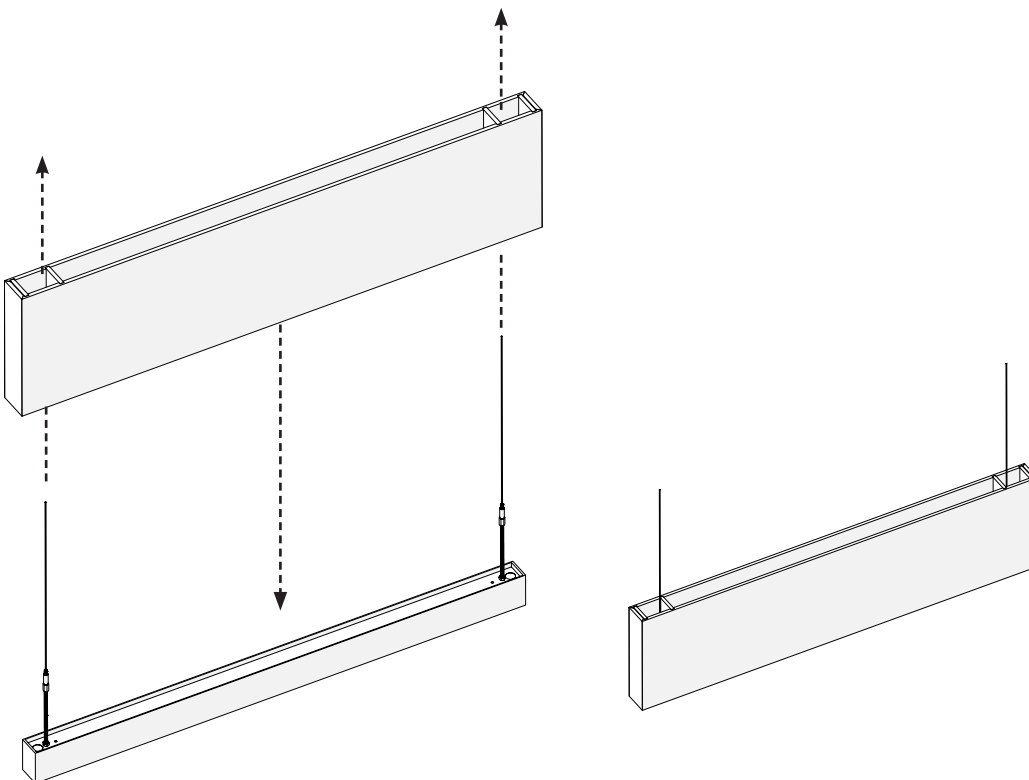


## BAFL [LIT]: INSTALLATION INSTRUCTIONS

- 3** Thread the hex nut side of the rod into the lighting fixture and tighten the hex nut against it.



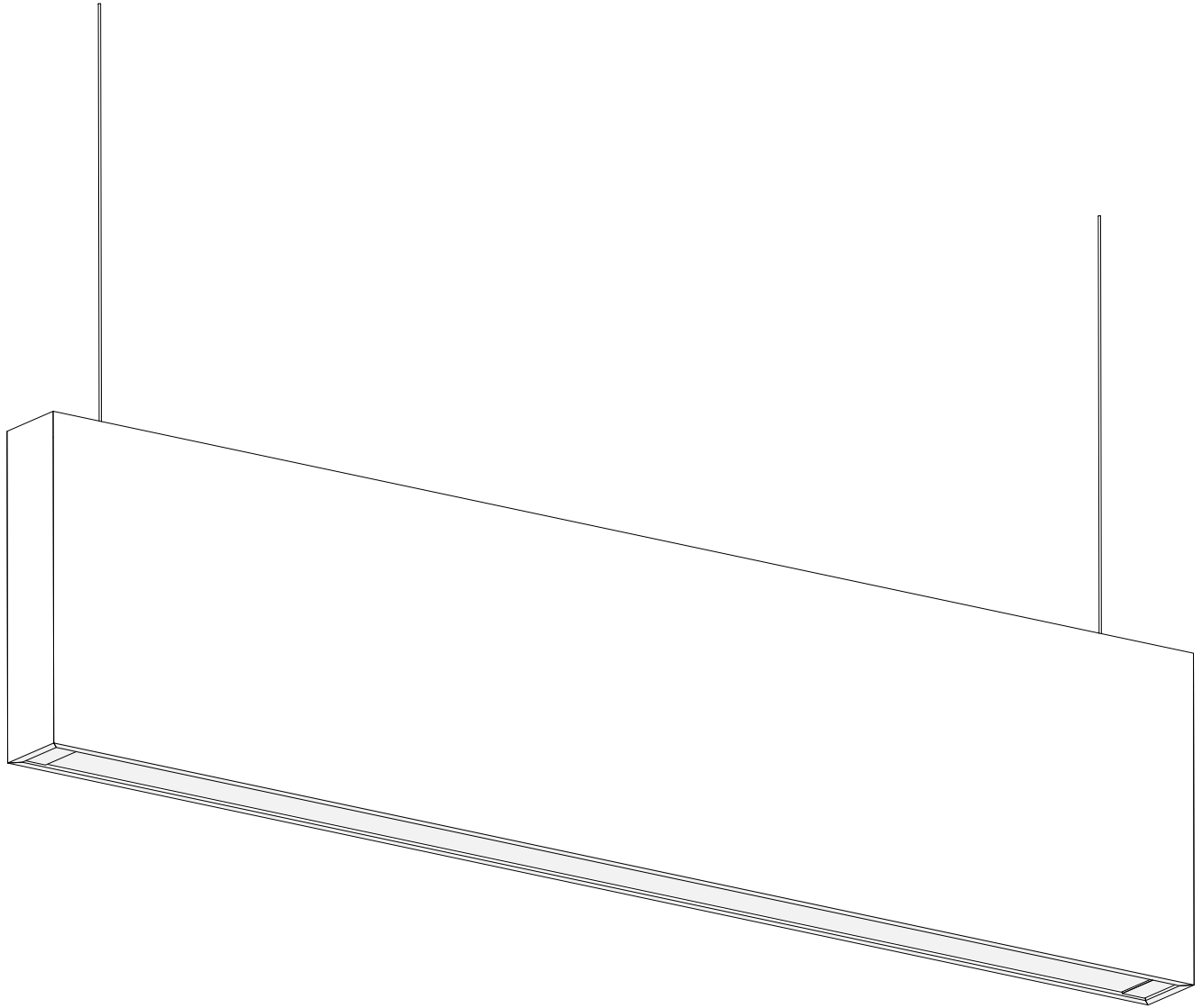
- 4** Slide the BAFL over the rod assemblies until the light fixture fits flush inside.



All electrical wiring should be installed by a qualified electrician.

## BAFL [LIT]: INSTALLATION INSTRUCTIONS

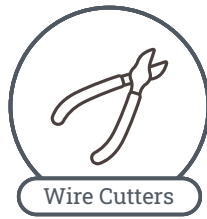
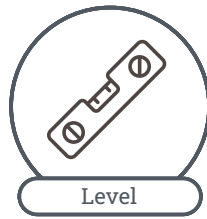
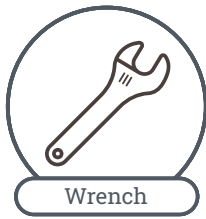
**5** Hang and level the BAFL with your preferred hardware.



**INSTALLATION COMPLETE.**

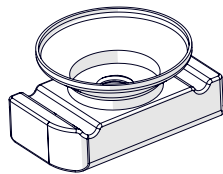
## UNISTRUT [ROD]

### REQUIRED TOOLS

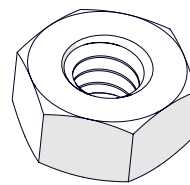


### INCLUDED HARDWARE

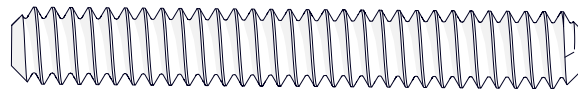
*Quantities shown are for [1] single BAFL.*



Nylon Locking Nut **x2**



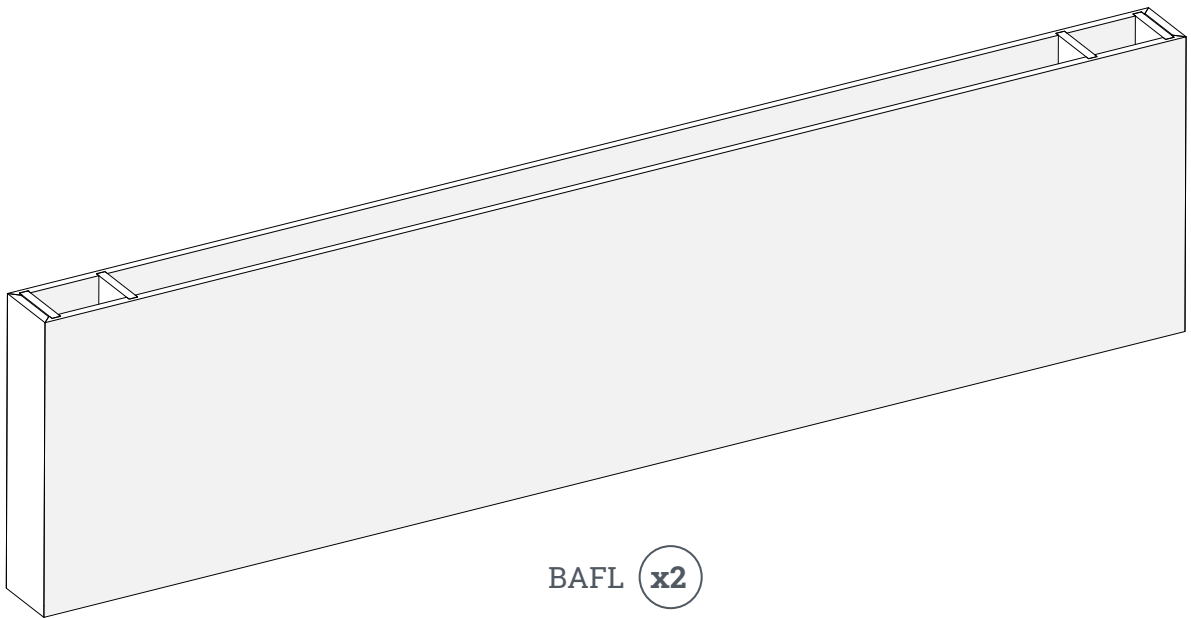
1/4"-20 Hex Nut **x2**



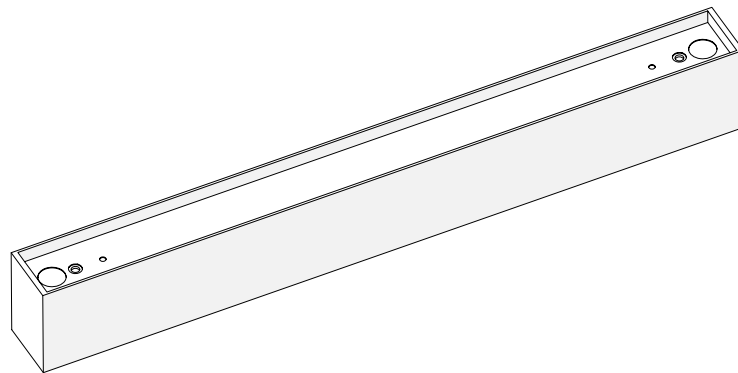
1/4"-20 Threaded Rod **5ft**

# UNISTRUT [ROD]

## INCLUDED COMPONENTS



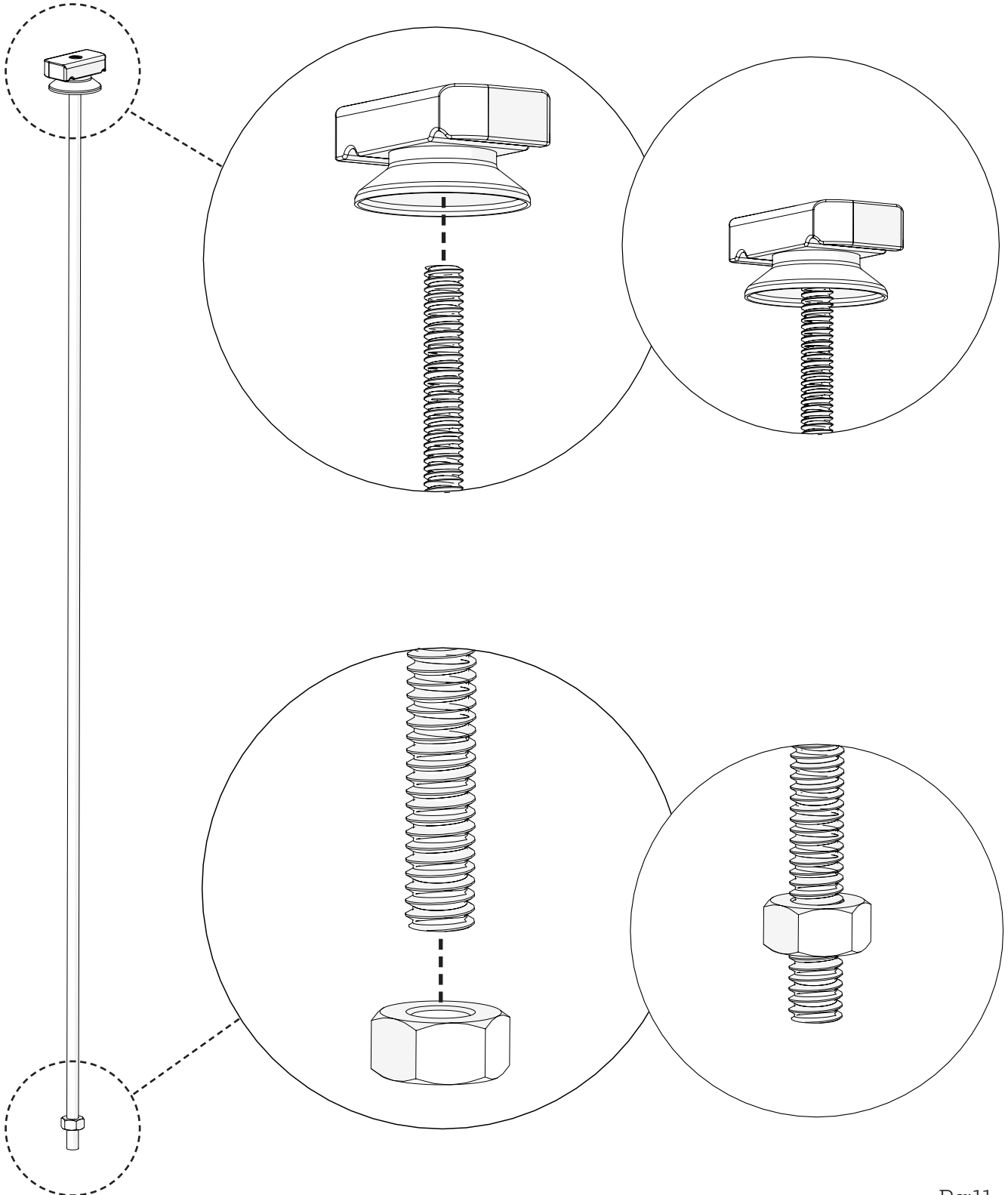
BAFL **x2**



LED light [bottom] **x1**

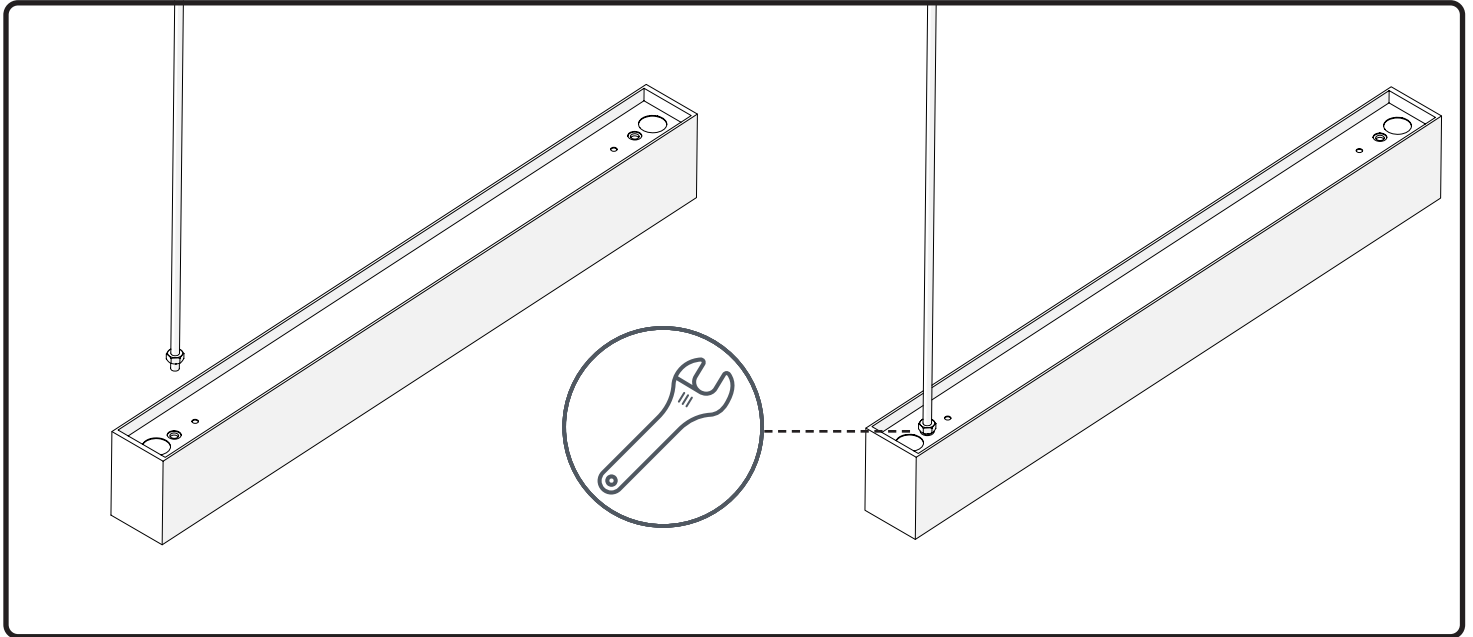
## BAFL [LIT]: INSTALLATION INSTRUCTIONS

- 1 Cut the threaded rod to size and screw a nylon locking nut to the top, and the hex nut to the bottom.

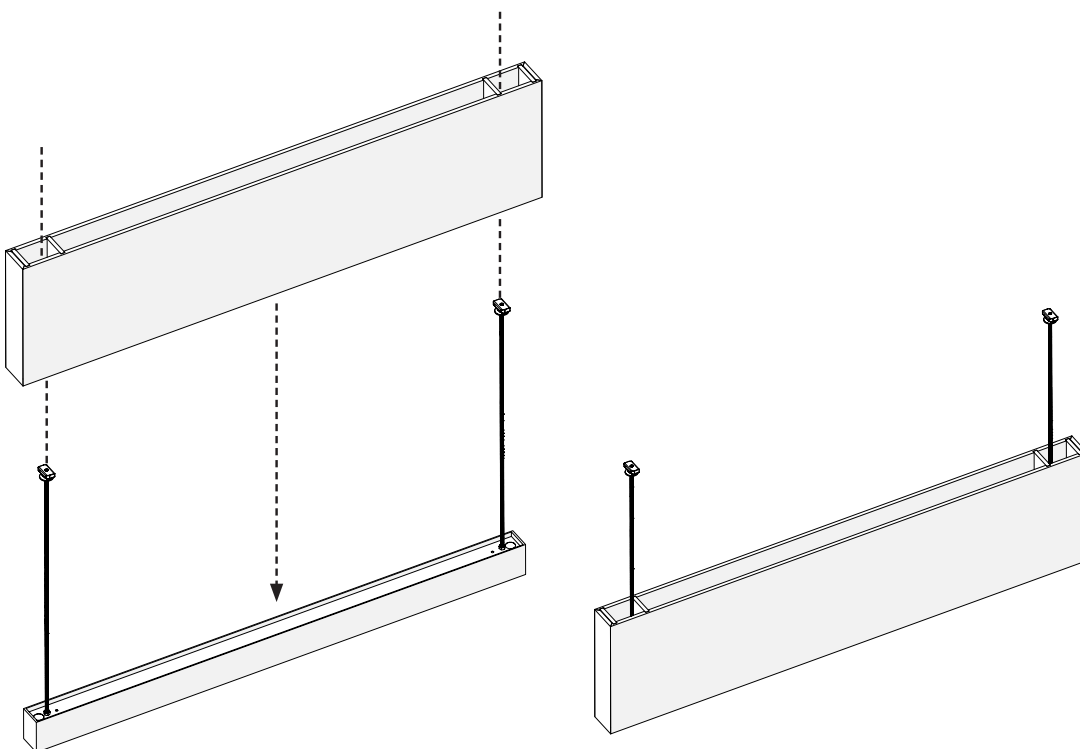


## BAFL [LIT]: INSTALLATION INSTRUCTIONS

- 2** Thread the hex nut side of the rod into the lighting fixture and tighten the hex nut against it.



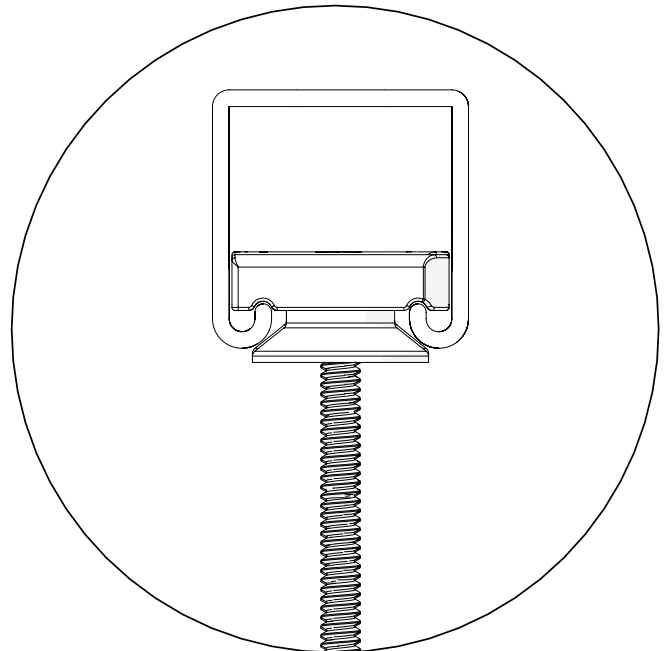
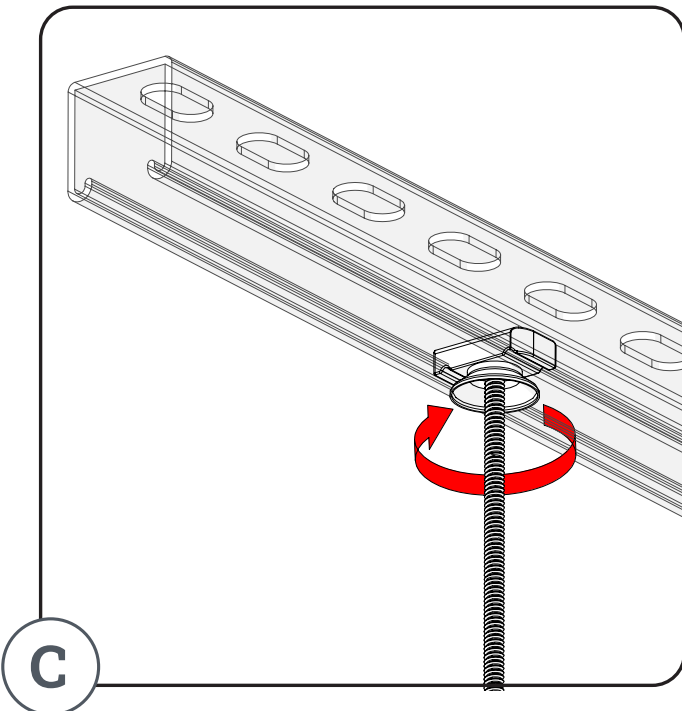
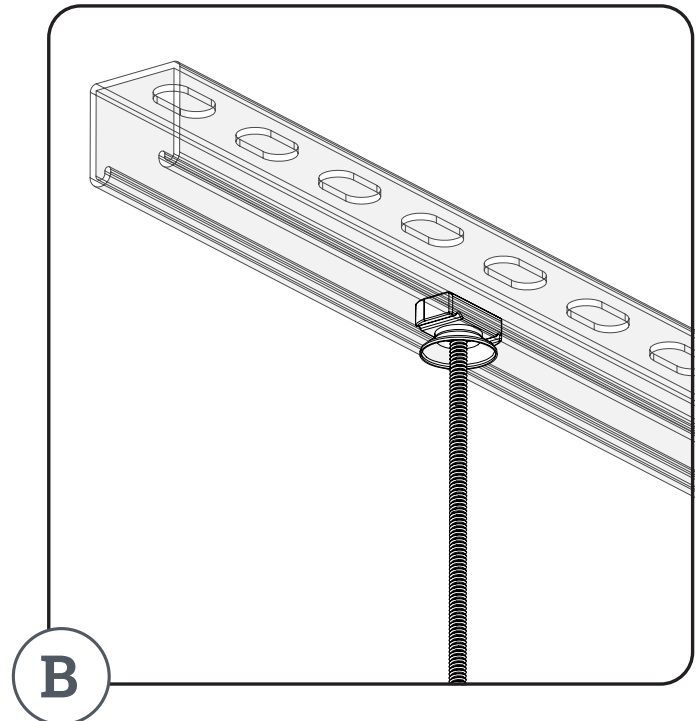
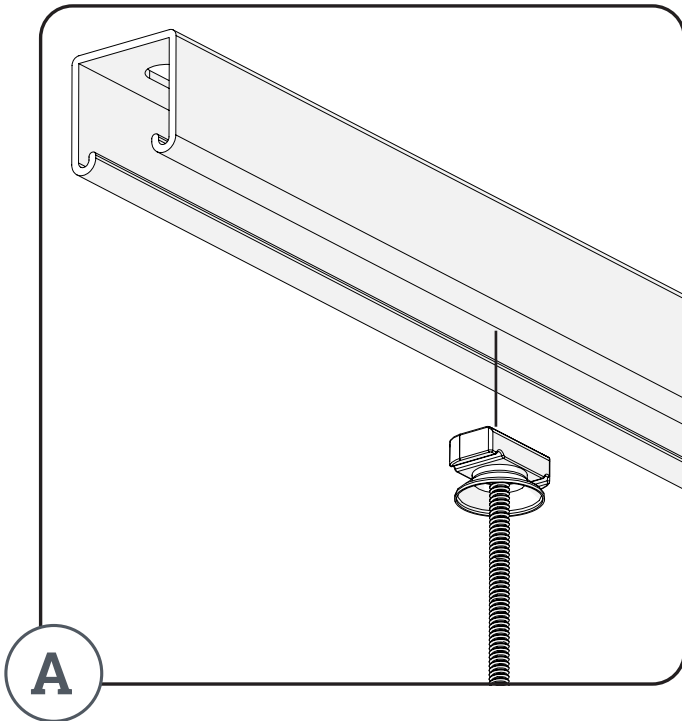
- 3** Slide the BAFL over the rod assemblies until the light fixture fits flush inside.



All electrical wiring should be installed by a qualified electrician.

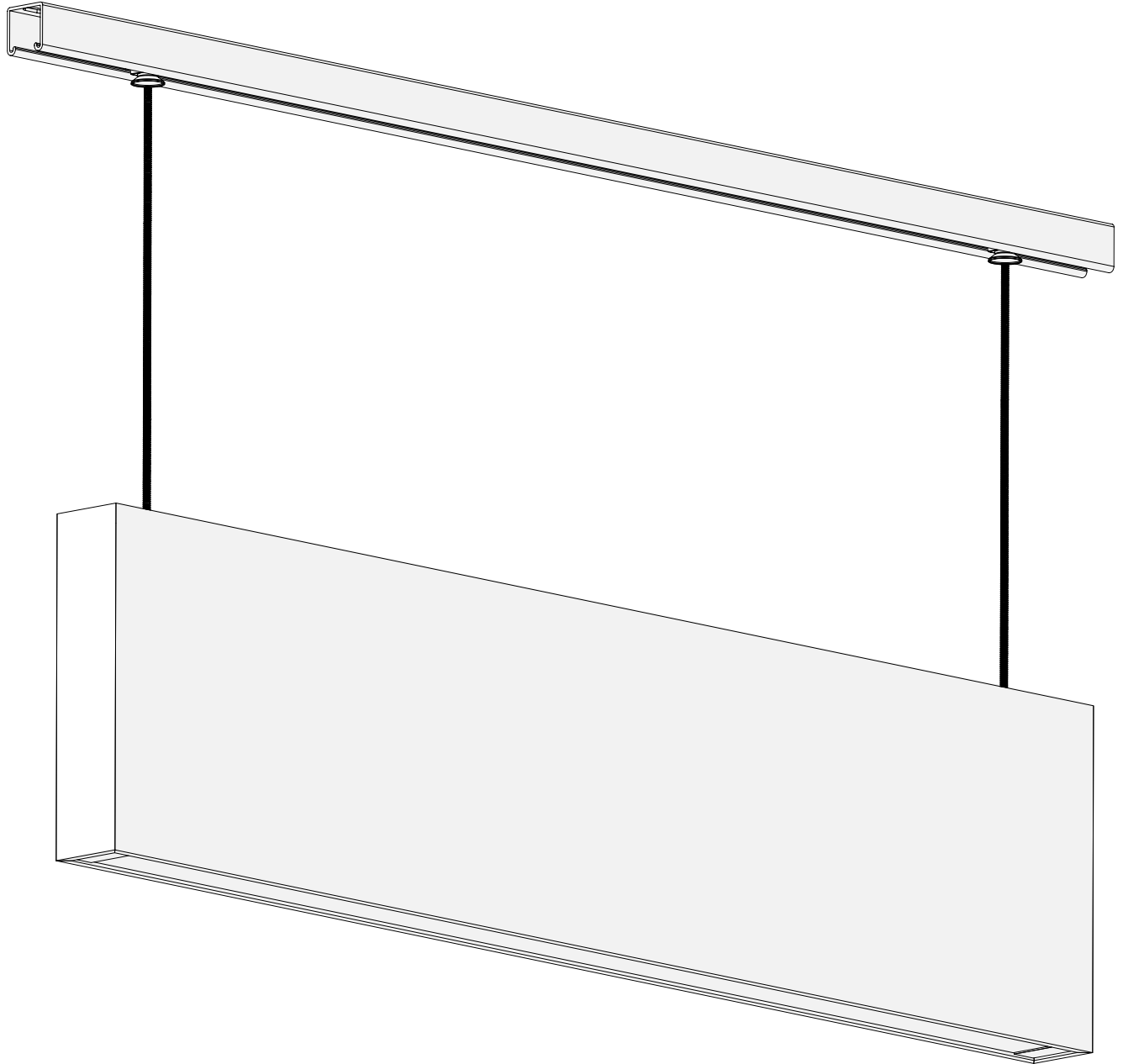
## BAFL [LIT]: INSTALLATION INSTRUCTIONS

**4** Hang the BAFL by inserting the nylon locking nut into your existing unistrut as shown.



## BAFL [LIT]: INSTALLATION INSTRUCTIONS

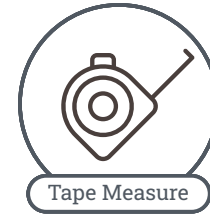
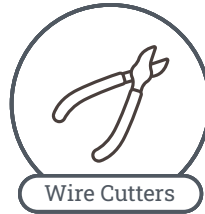
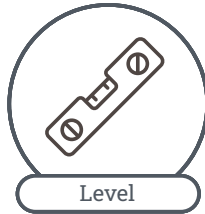
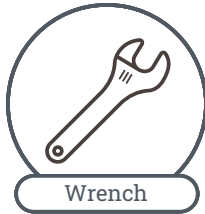
---



**INSTALLATION COMPLETE.**

## UNISTRUT [CABLE]

### REQUIRED TOOLS

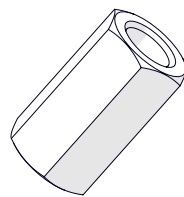


### INCLUDED HARDWARE

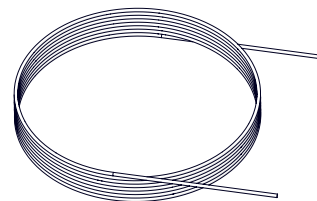
Quantities shown are for [1] single BAFL.



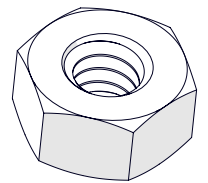
1/4" -20 Threaded Rod **x1.5ft**



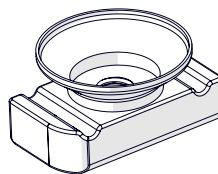
1/4" -20 Coupling Nut **x2**



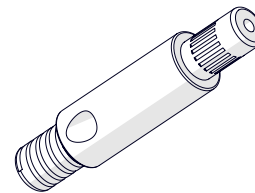
Aircraft Cable **3ft**



1/4" -20 Hex Nut **x2**



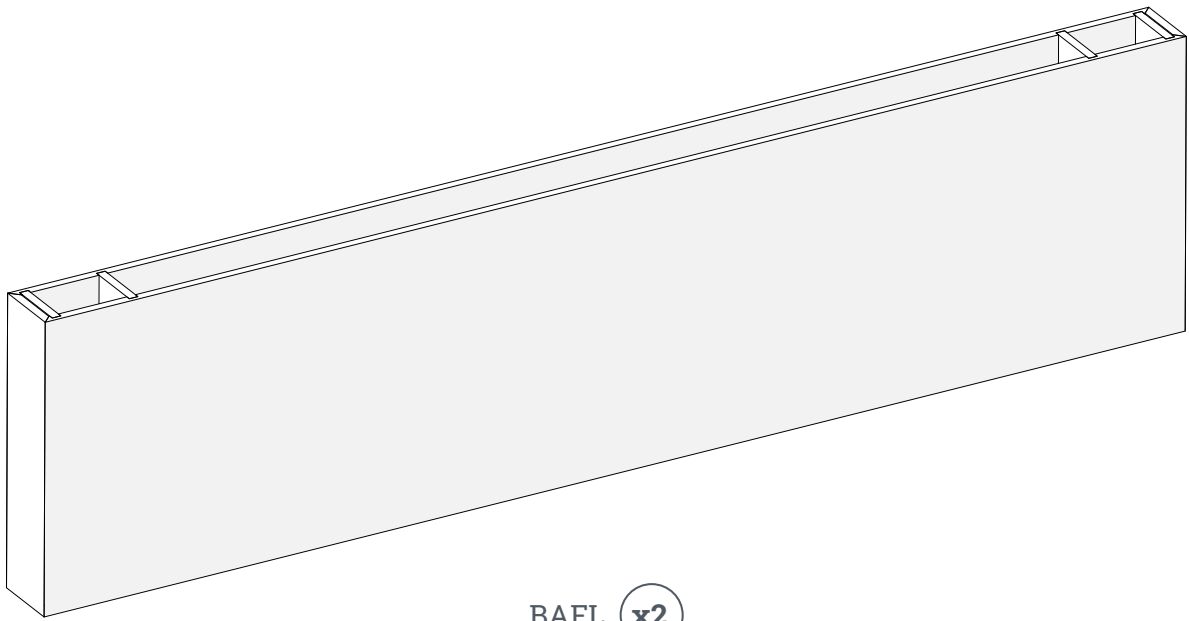
Nylon Locking Nut **x2**



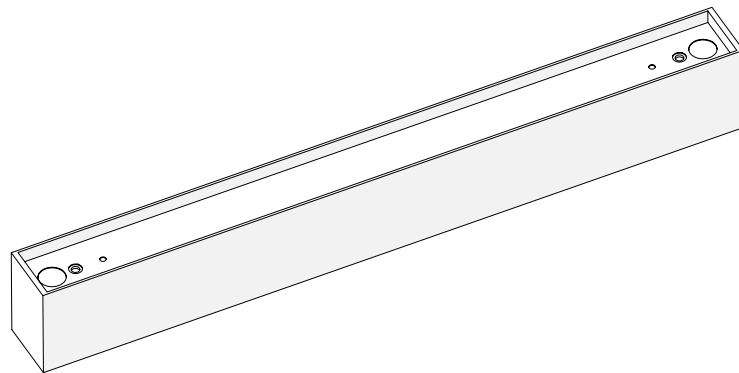
Grip Lock **x4**

# UNISTRUT [CABLE]

## INCLUDED COMPONENTS



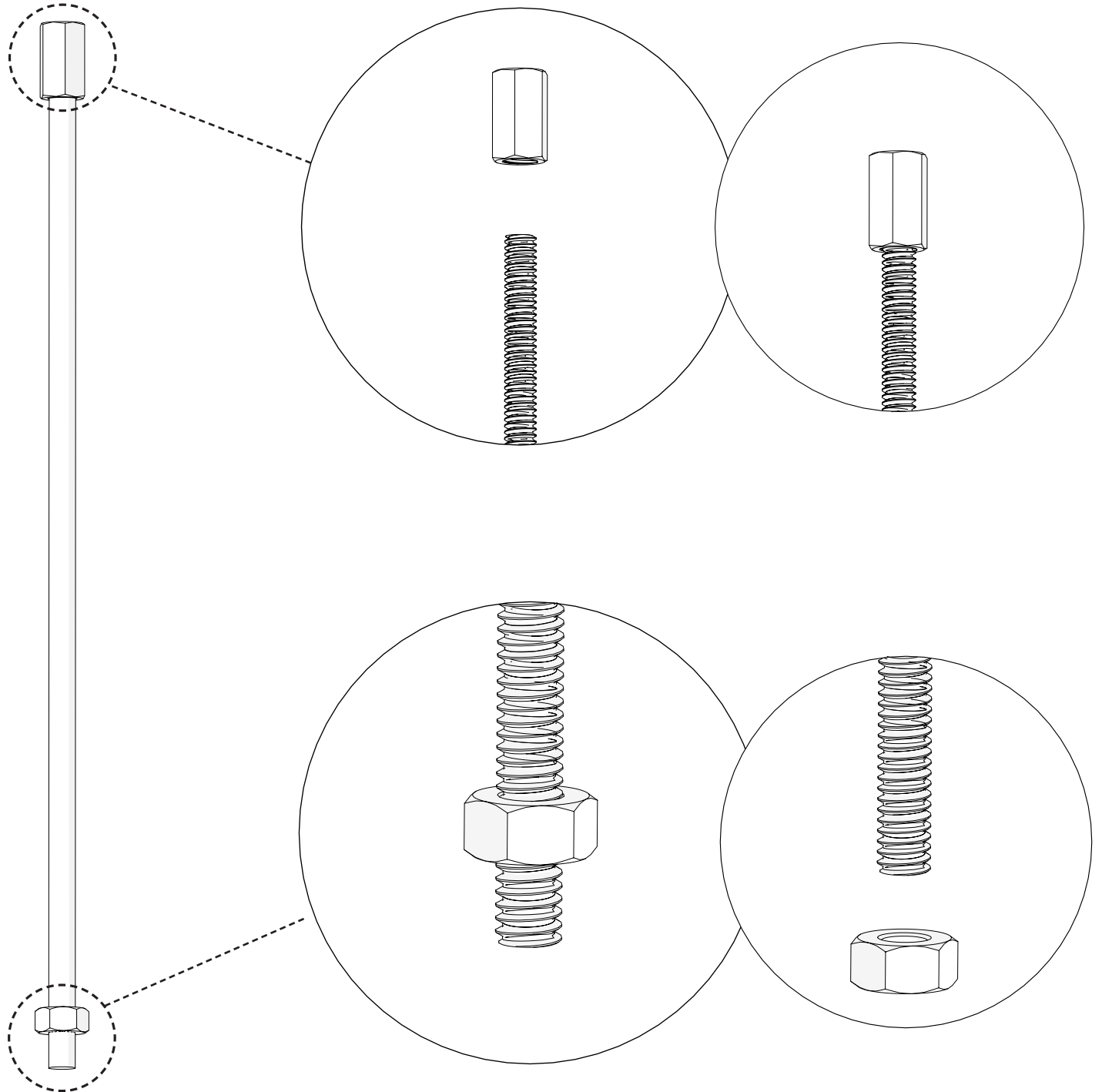
BAFL **x2**



LED light [bottom] **x1**

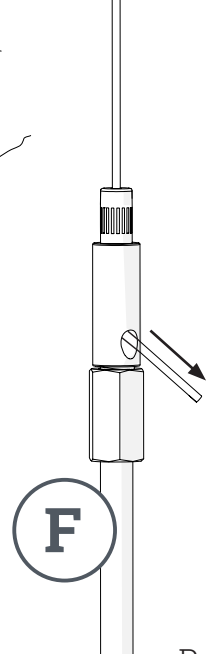
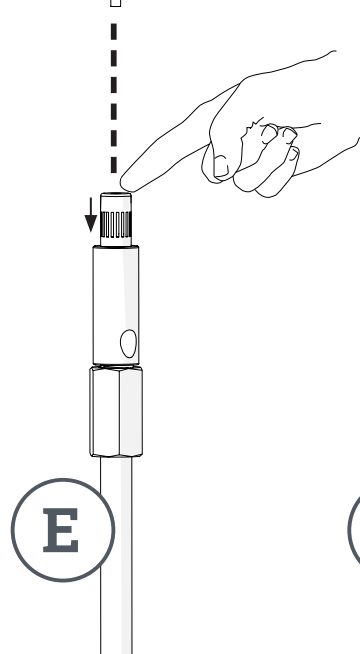
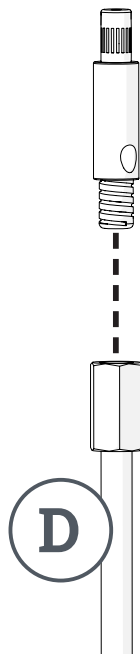
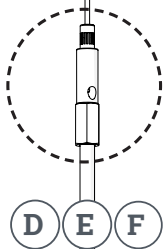
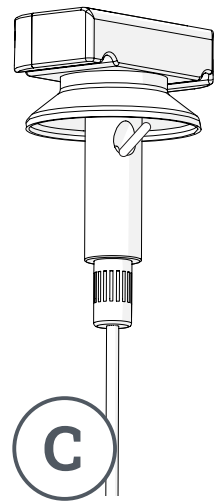
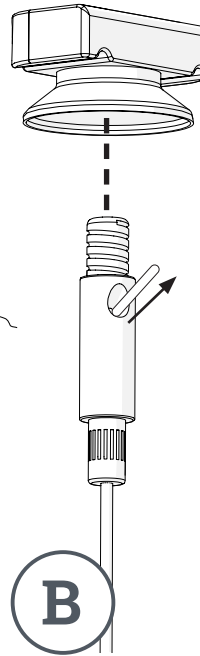
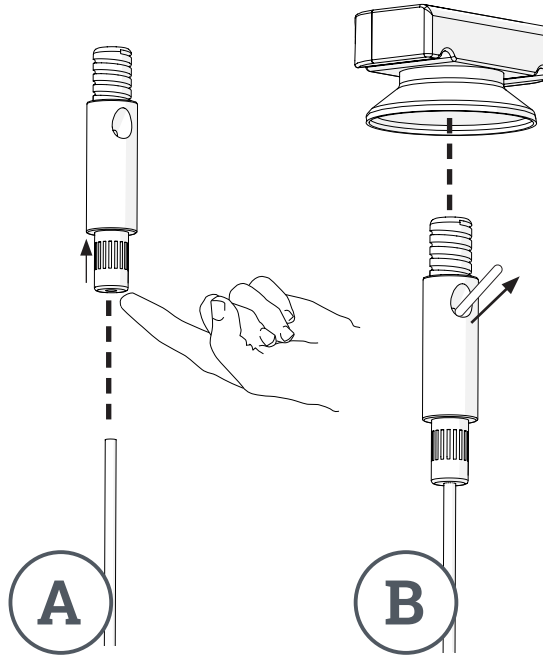
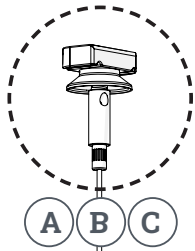
## BAFL [LIT]: INSTALLATION INSTRUCTIONS

- 1 Cut the threaded rod to size and screw the coupling nut to the top of the rod, then the hex nut to the bottom as shown.



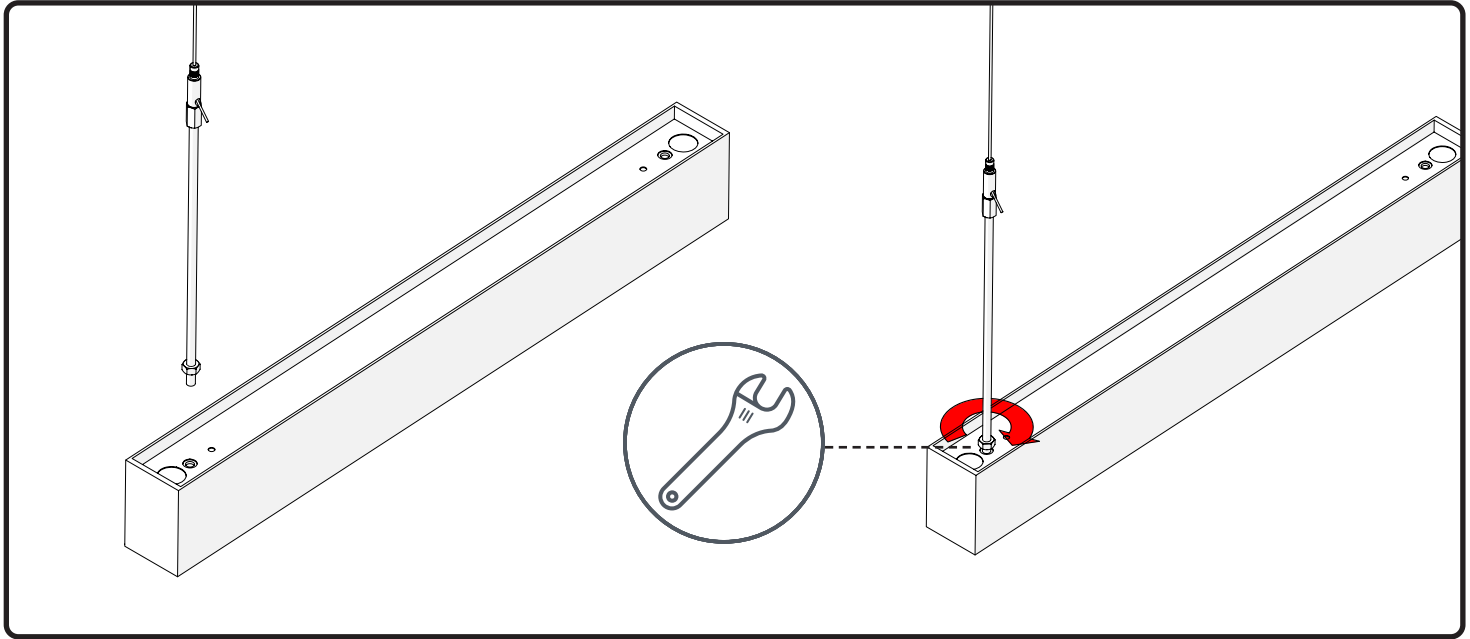
## BAFL [LIT]: INSTALLATION INSTRUCTIONS

**2** Assemble the hanging hardware as shown below.

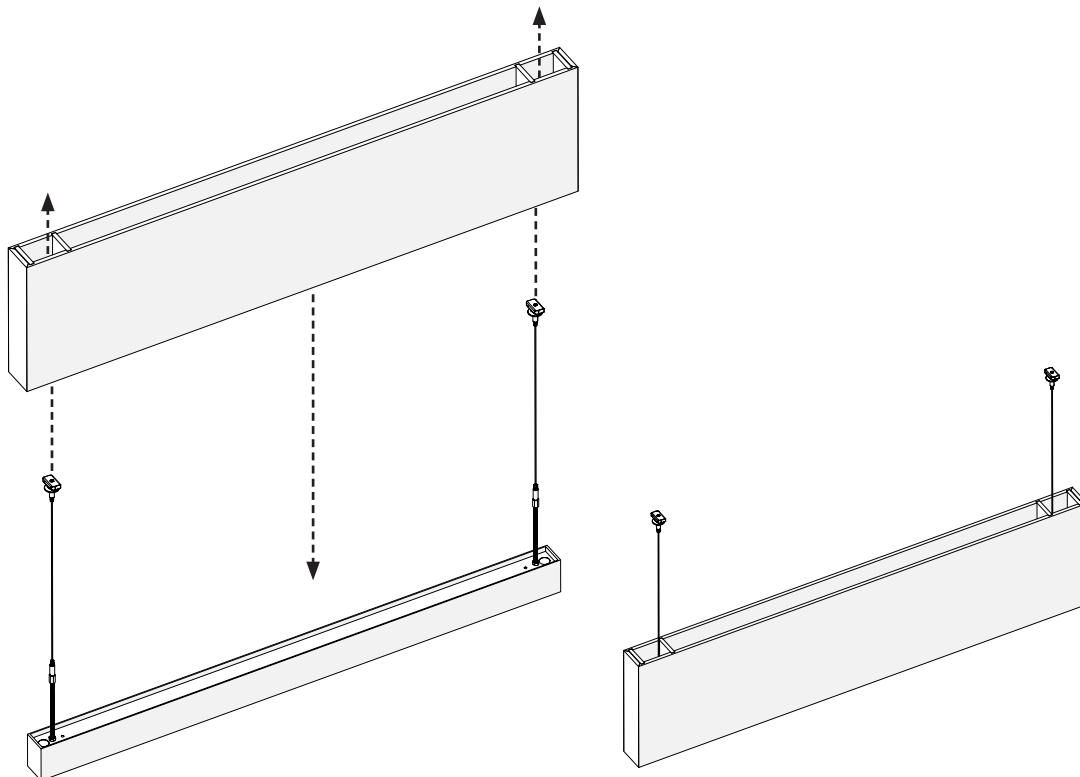


## BAFL [LIT]: INSTALLATION INSTRUCTIONS

- 3** Thread the hex nut side of the rod into the lighting fixture and tighten the hex nut against it.



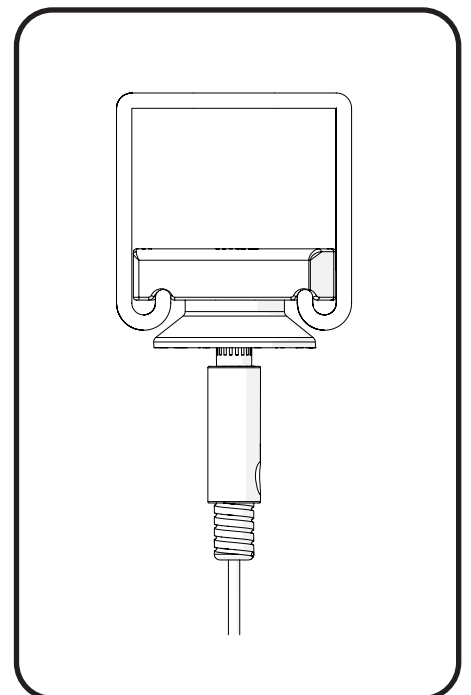
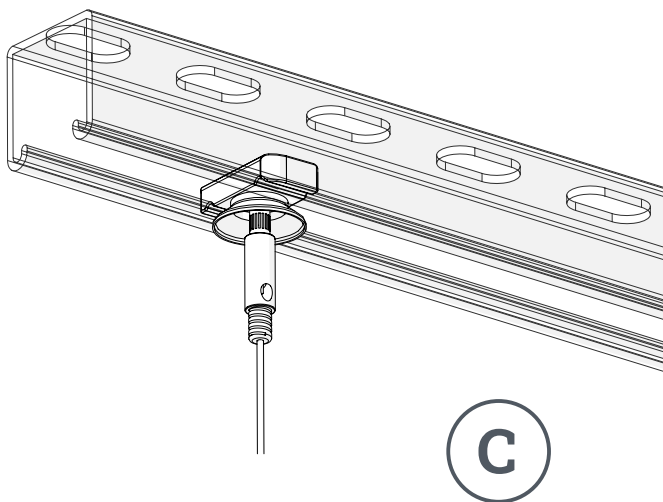
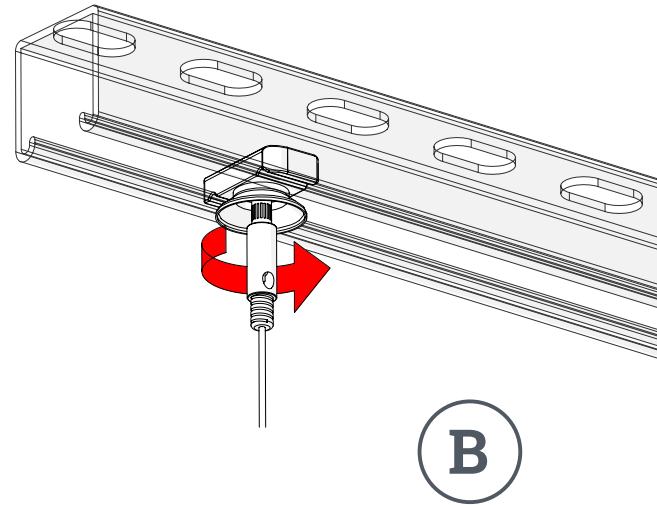
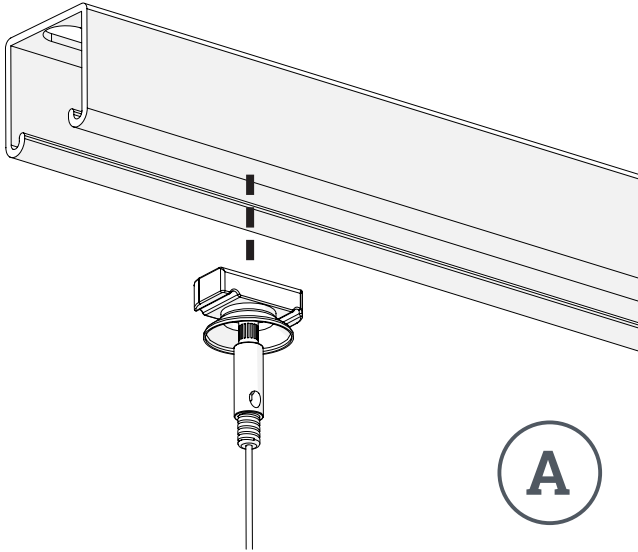
- 4** Slide the BAFL over the rod assemblies until the light fixture fits flush inside.



All electrical wiring should be installed by a qualified electrician.

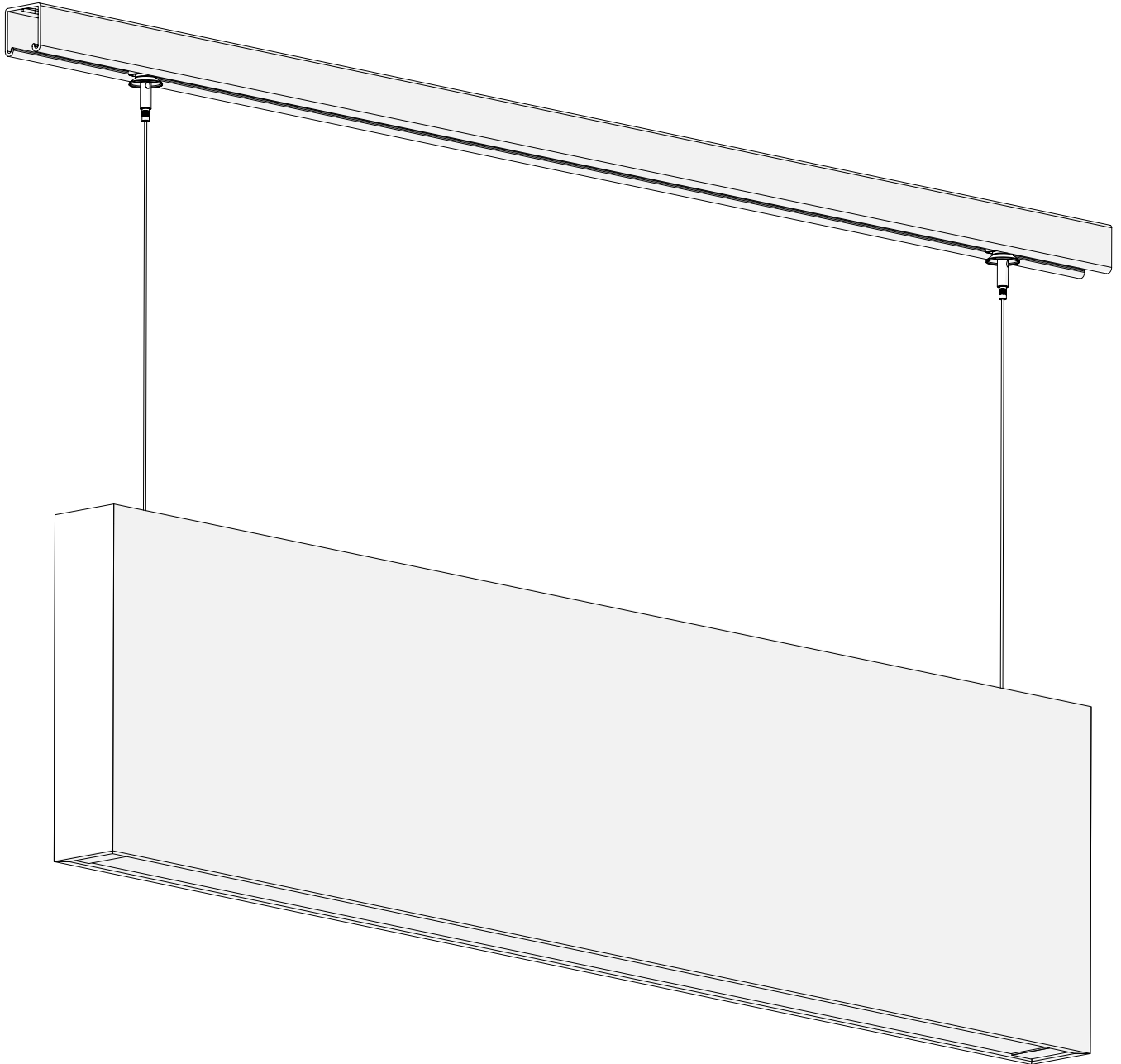
## BAFL [LIT]: INSTALLATION INSTRUCTIONS

- 5** Hang the BAFL by inserting the nylon locking nut into your existing unistrut as shown.



## BAFL [LIT]: INSTALLATION INSTRUCTIONS

---



**INSTALLATION COMPLETE.**