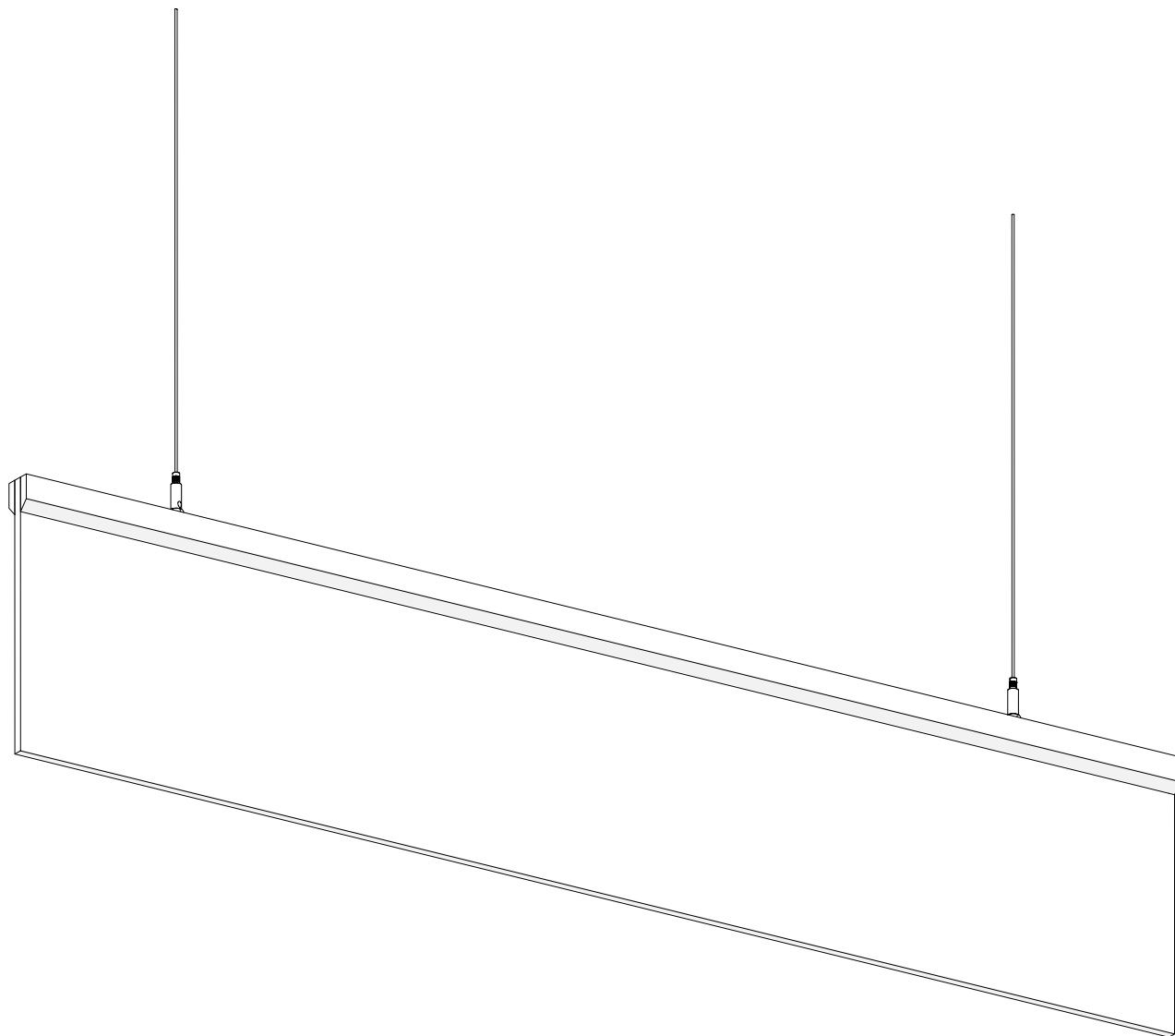


BAFL [SKINNY]

INSTALLATION INSTRUCTIONS



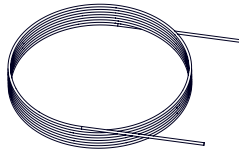
REQUIRED TOOLS



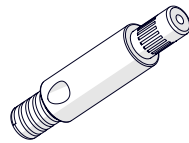
SKINNY BAFL: HARDWARE KITS

Quantities dependent on order specifications.

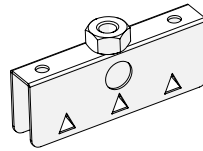
T-GRID + AIRCRAFT CABLE



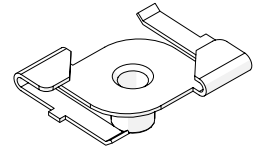
Aircraft Cable **3ft**



Grip Lock **x4**

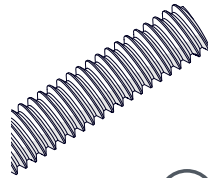


Spike Bracket **x2**

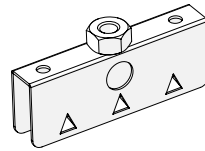


T-Grid Caddy Clip **x2**

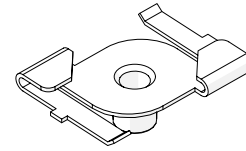
T-GRID + THREADED ROD



Threaded Rod **3ft**

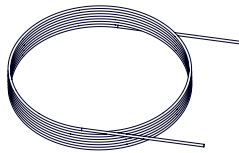


Spike Bracket **x2**

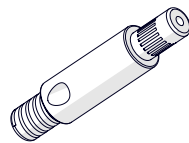


T-Grid Caddy Clip **x2**

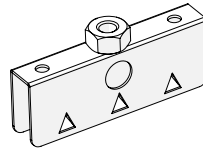
UNISTRUT + AIRCRAFT CABLE



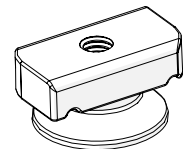
Aircraft Cable **3ft**



Grip Lock **x4**

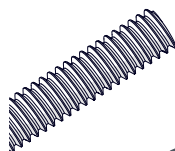


Spike Bracket **x2**

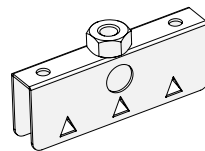


Unistrut Cone Nut **x2**

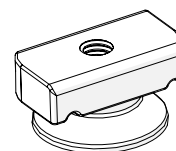
UNISTRUT + THREADED ROD



Threaded Rod **3ft**



Spike Bracket **x2**

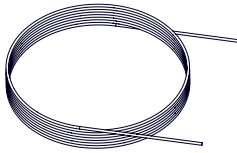


Unistrut Cone Nut **x2**

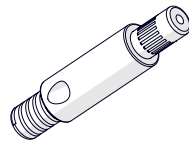
SKINNY BAFL: HARDWARE KITS

Quantities dependent on order specifications.

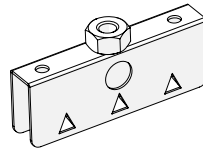
CONE GRIPPER + AIRCRAFT CABLE



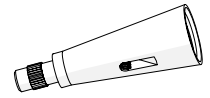
Aircraft Cable **3ft**



Grip Lock **x2**

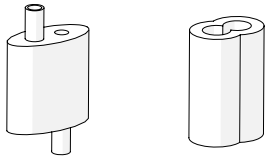


Spike Bracket **x2**



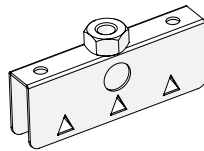
Cone Gripper **x2**

CRIMP + AIRCRAFT CABLE

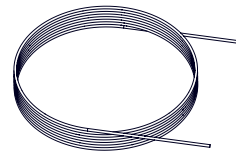


Urban Trapeze or Cable Crimp

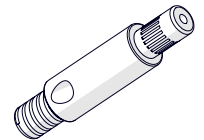
x2



Spike Bracket **x2**



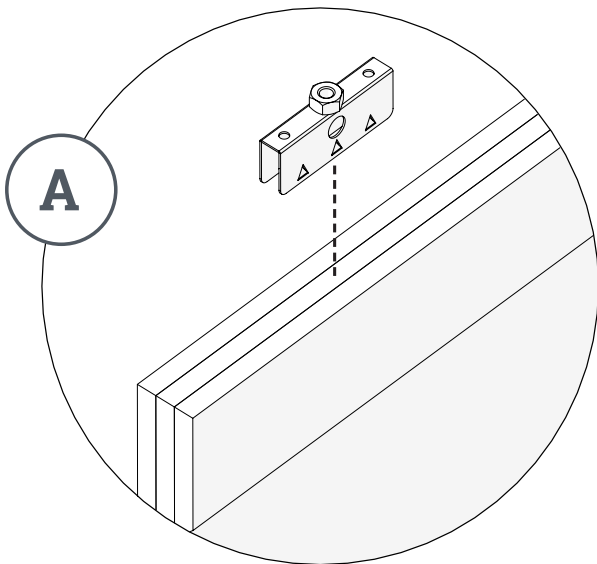
Aircraft Cable **3ft**



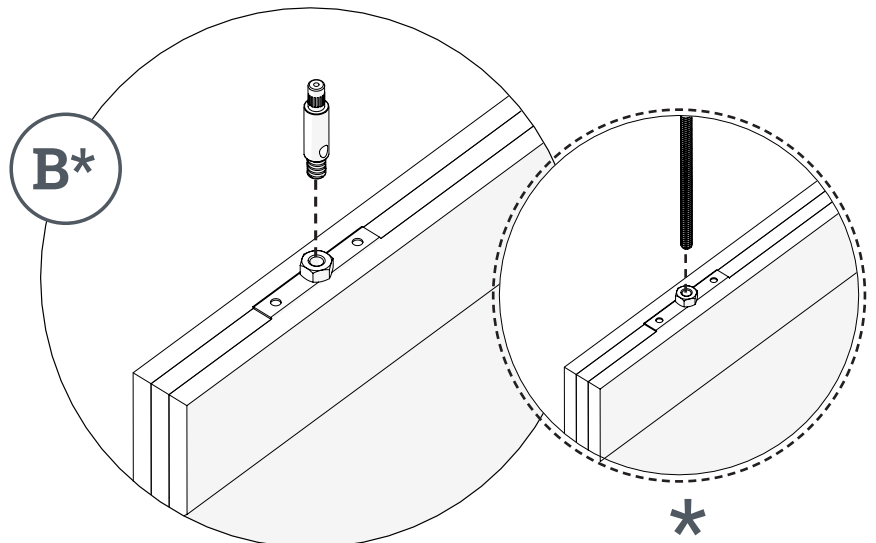
Grip Lock **x2**

BAFL [SKINNY]: INSTALLATION INSTRUCTIONS

1 Install spike brackets, grip locks and aircraft cable/rod as shown.

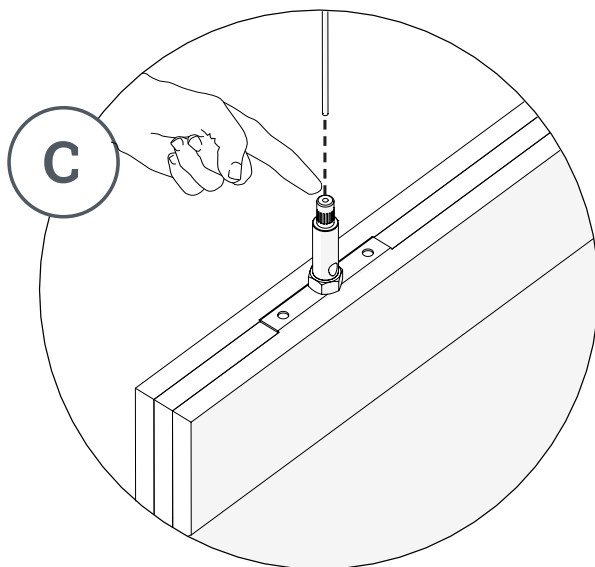


Press the spike bracket firmly into the edge of the felt.

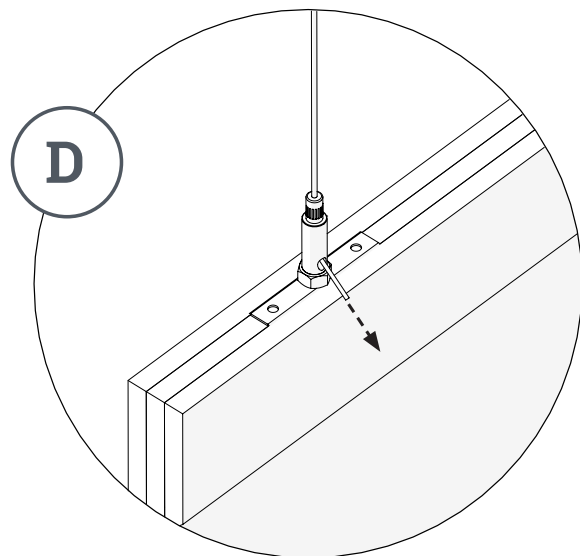


Screw a Grip Lock (or threaded rod) into the nut on the bracket.

For applications that use threaded rod, screw the rod directly into the bracket nut.



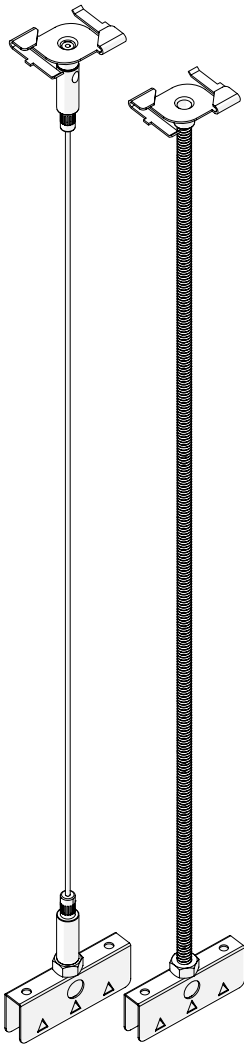
Press firmly on the plunger to insert the cable.



Thread the cable through the opening and release the plunger to lock the cable in place.

BAFL [SKINNY]: INSTALLATION INSTRUCTIONS

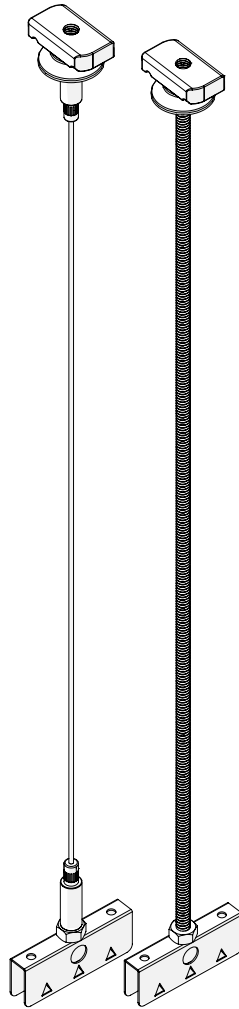
Skip to one of the pages below according to your hardware kit.



T-Grid

T-Grid Caddy Clips are designed to provide a reliable and sturdy mounting point on acoustical T-grid applications. They are compatible with threaded rod or aircraft cable.

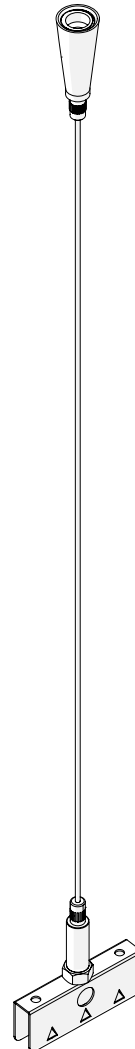
Pg.6



Unistrut

Unistrut locking nuts are designed to be used in conjunction with Unistrut metal framing systems, offering a secure and reliable fastening solution. They are compatible with threaded rod or aircraft cable.

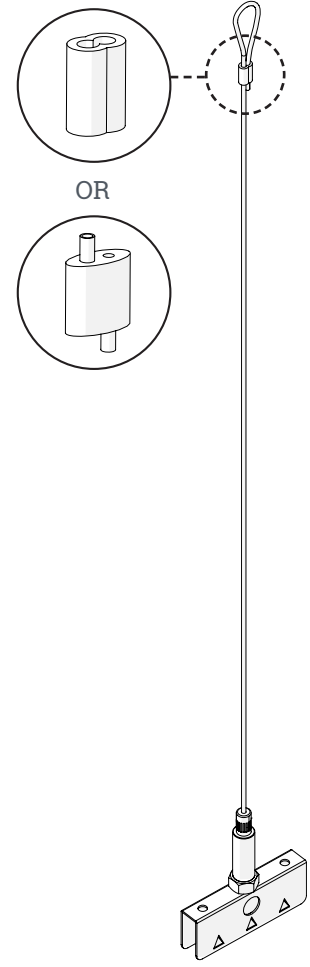
Pg.7



Cone Gripper

Cone grippers are designed to be adjustable, allowing for easy positioning and tensioning of the attached cable.

Pg.8



Loop & Crimp

Cable crimps are perfect for securely forming a fixed loop in steel cables, ensuring a strong and permanent connection.

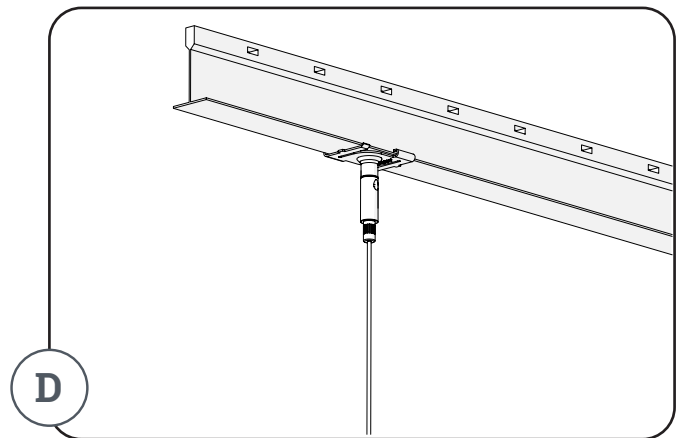
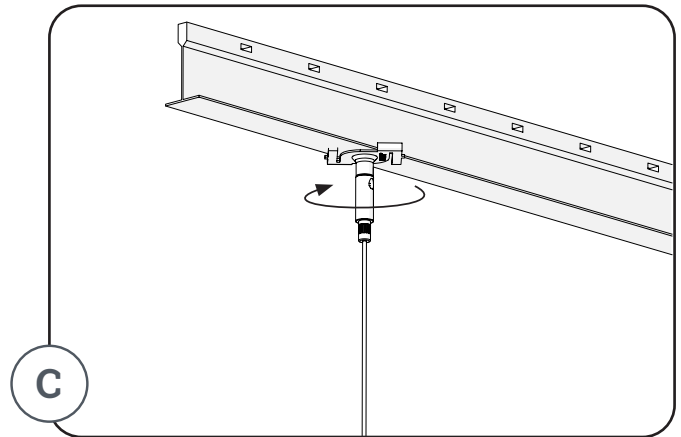
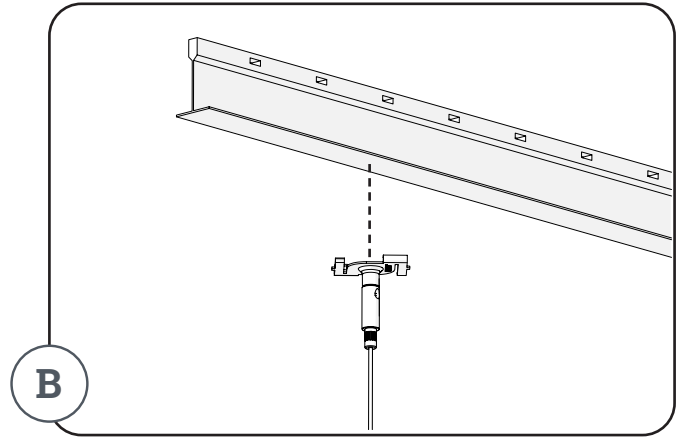
Pg.9

BAFL [SKINNY]: T-GRID

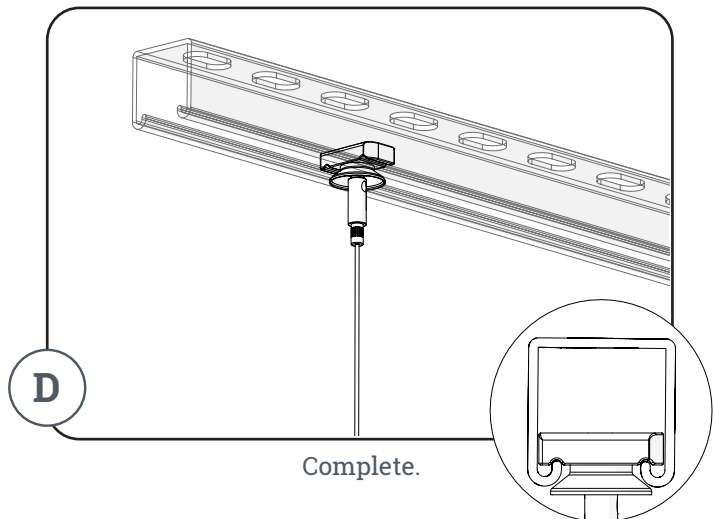
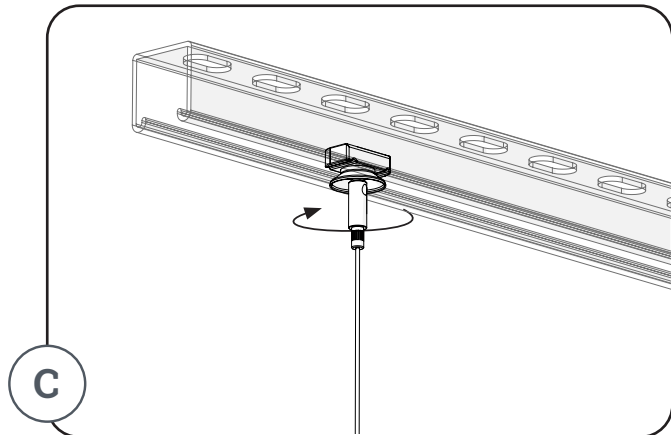
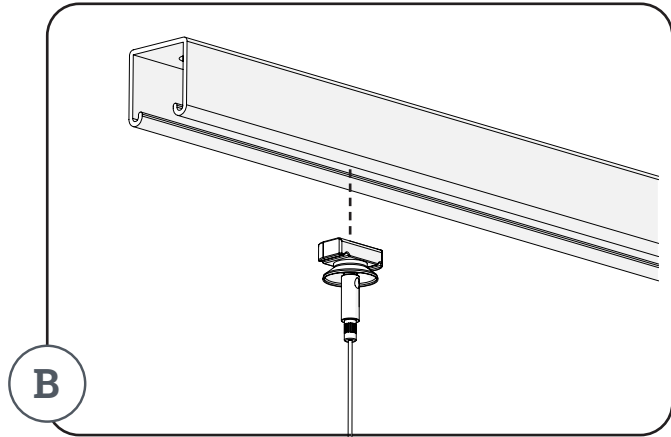
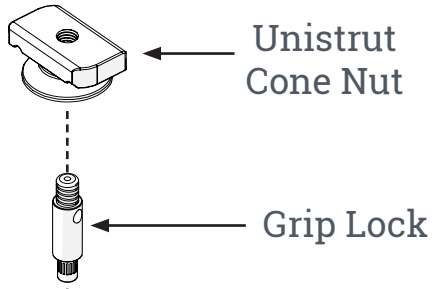


A

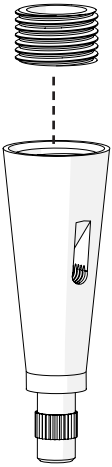
Assemble the grip lock and T-grid clip as show



BAFL [SKINNY]: UNISTRUT

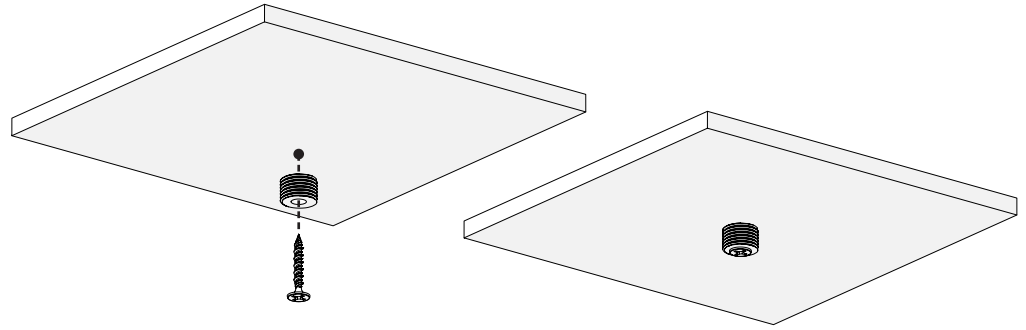


BAFL [SKINNY]: CONE GRIPPER



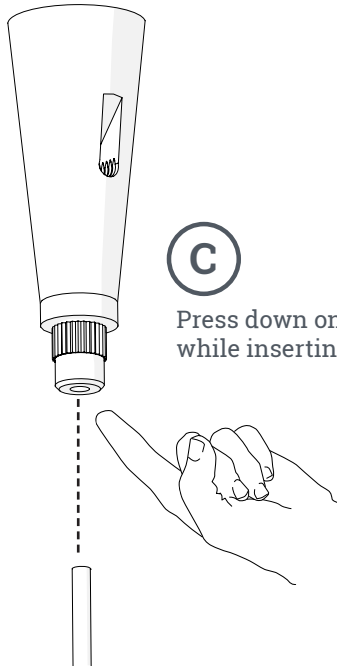
A

Remove the threaded insert from the cone.



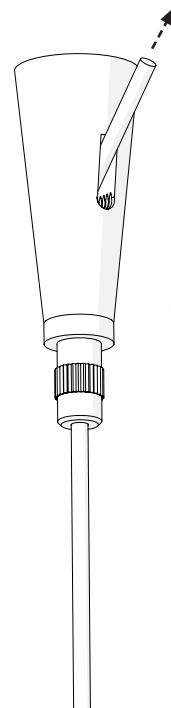
B

Screw the insert to the mounting surface.



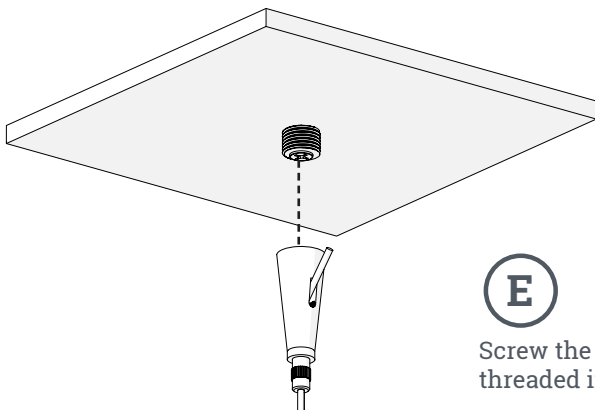
C

Press down on the plunger while inserting the cable.



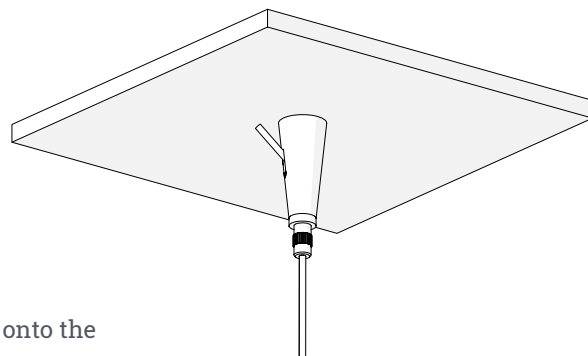
D

Thread the cable through the side exit and release the plunger to lock the cable in place.

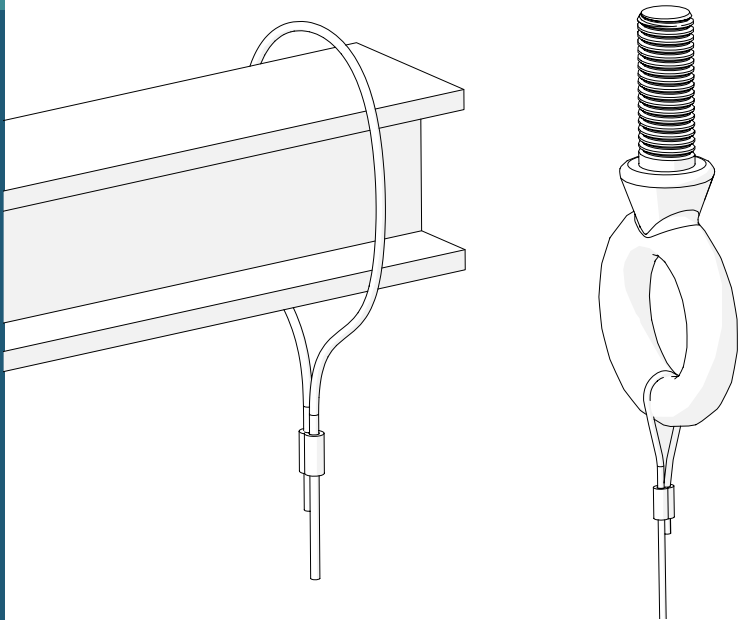


E

Screw the cone onto the threaded insert.

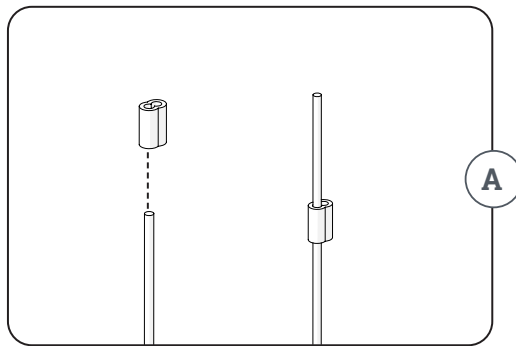


BAFL [SKINNY]: CABLE CRIMP AND URBAN TRAPEZE

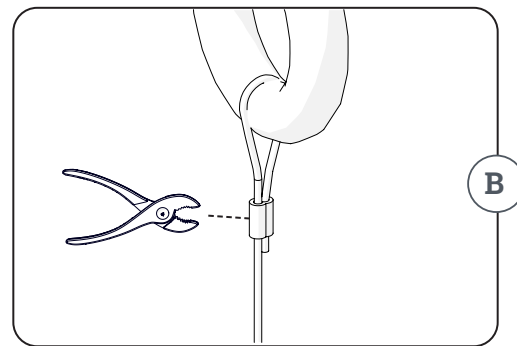


Cable crimps and urban trapeze grips can be used to secure cable loops around existing ceiling structures or specialty mounting hardware.

Cable Crimp

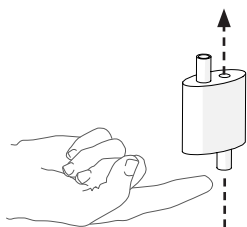


Thread the end of the cable through one hole of the crimp.

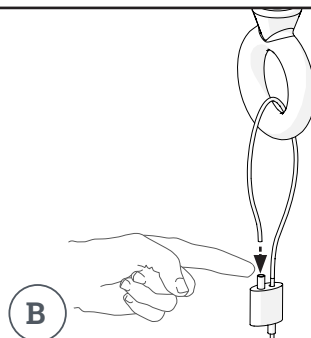


Loop the cable through/over the mounting structure and back into the opposite hole in the crimp. Squeeze the crimp tightly to secure the cable.

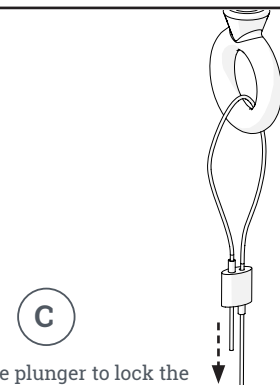
Urban Trapeze



Press firmly on the plunger while threading the cable through the opening.

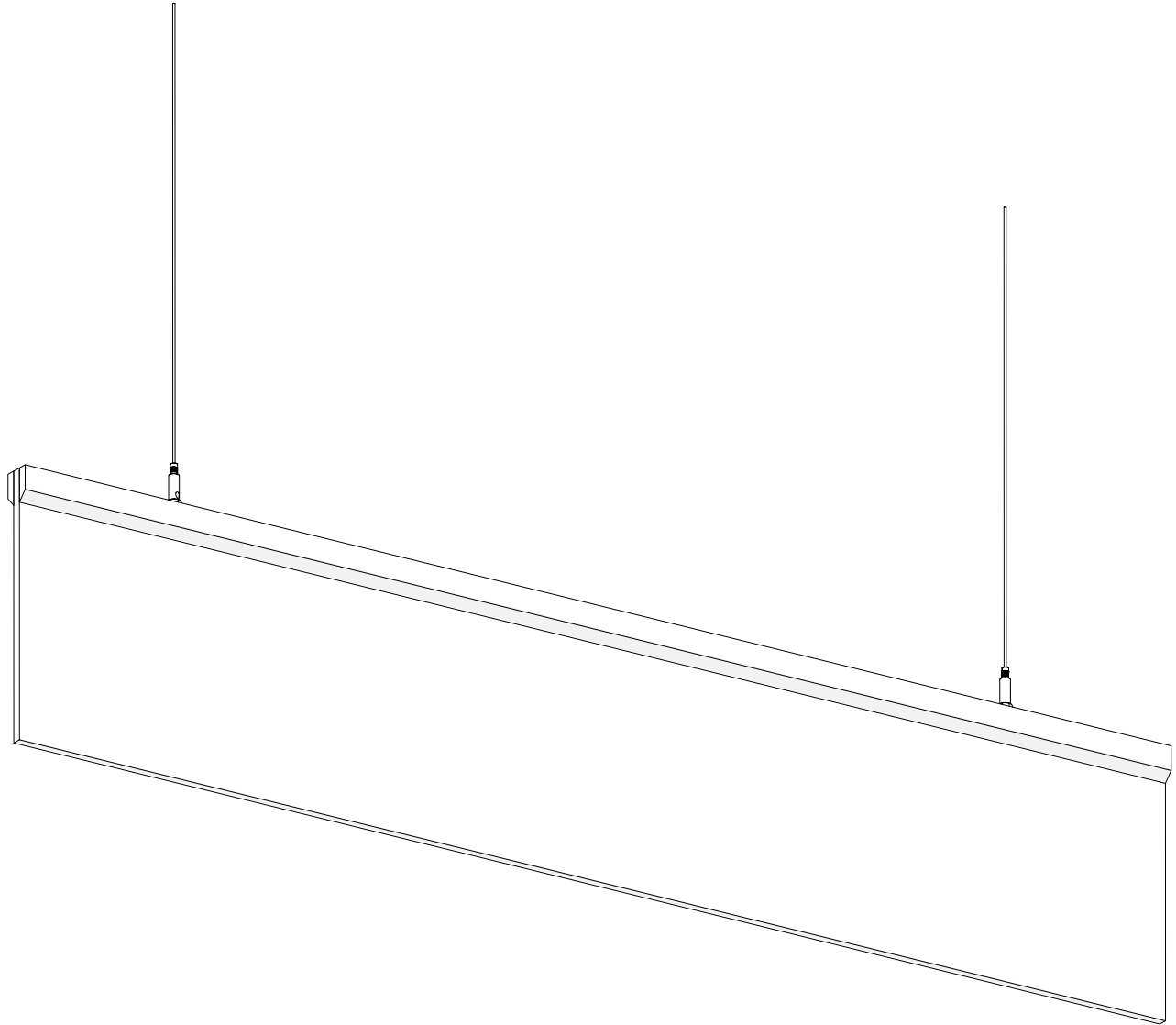


Loop the cable through your chosen surface hardware, and press down on the plunger while threading the cable through the opposite opening.



Release the plunger to lock the cable in place

BAFL [SKINNY]: INSTALLATION INSTRUCTIONS



INSTALLATION COMPLETE.