



PRO SERIES

BRIK, BRIK FLOW, BRIK 2.0,
PLANK

Fräsch was founded on the belief that acoustically pleasing, aesthetically beautiful, built environments create happier people.

PRO SERIES

BRIK, BRIK FLOW, BRIK 2.0, PLANK

Acoustical Wall and Ceiling Tile

The same aesthetically pleasing 9mm PET outer shell design with a high-performing 1-inch thick, 6 pounds per cubic foot (PCF) fiberglass acoustical backer board, defines the Fräsch PRO Series product line. With the versatility of the original Brik, Brik Flow, Brik 2.0, and Plank, the PRO Series adds a boost in NRC acoustical performance when compared to either flush-to-wall mount PET or PET with an air gap.

Material Content 9 mm 100% PET (55% recycled content)
25mm (1" thick) 6 lbs per cubic foot (PCF)
Compressed fiberglass acoustical board

Fire Rating Class A per ASTM E-84 (PET and Fiberglass)

Acoustics

Frequency (Hz)	250	500	1K	2K	NRC
NRC	0.44	0.95	1.10	1.06	0.90 (avg.)
Sabins per m ²	2.62	5.62	6.53	6.26	

Test was conducted while product was in its actual installation setting

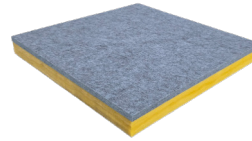
All NRC testings assumes one face/one object and does not account for the product thickness

Environment Low VOC;
Post-Consumer Recycled Content
100% Recyclable

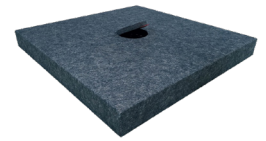
Country of Origin USA

Warranty 2 Years

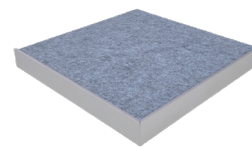
4 Edge Treatments



Raw Edge



Folded Edge



Aluminum Edge

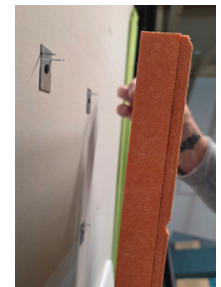


Chamfered Edge

Secret Trap Door

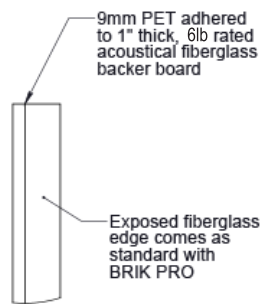
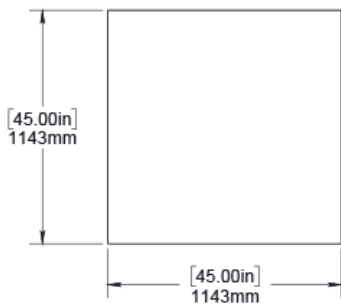
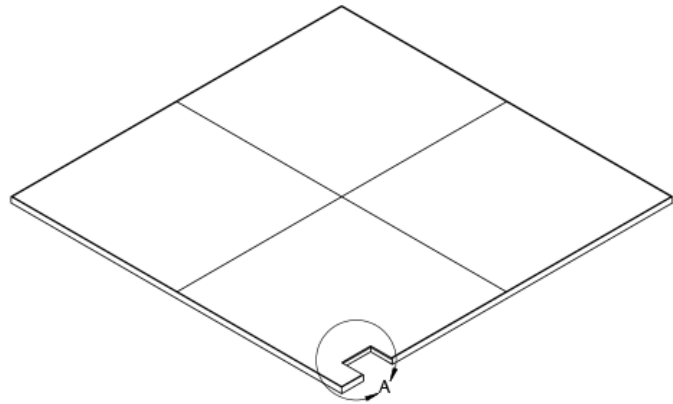
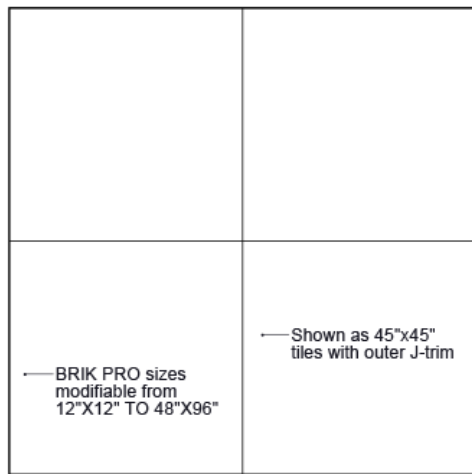


Impaler Clip/Glue

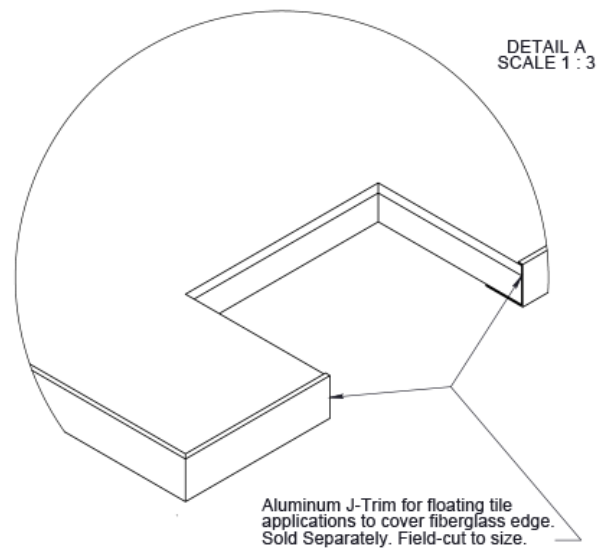
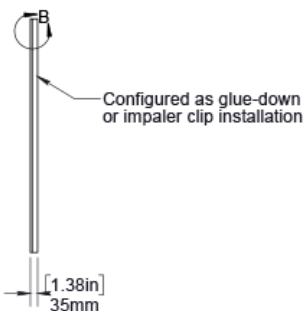


BRİK - PRO

DIMENSIONS & HARDWARE DETAIL

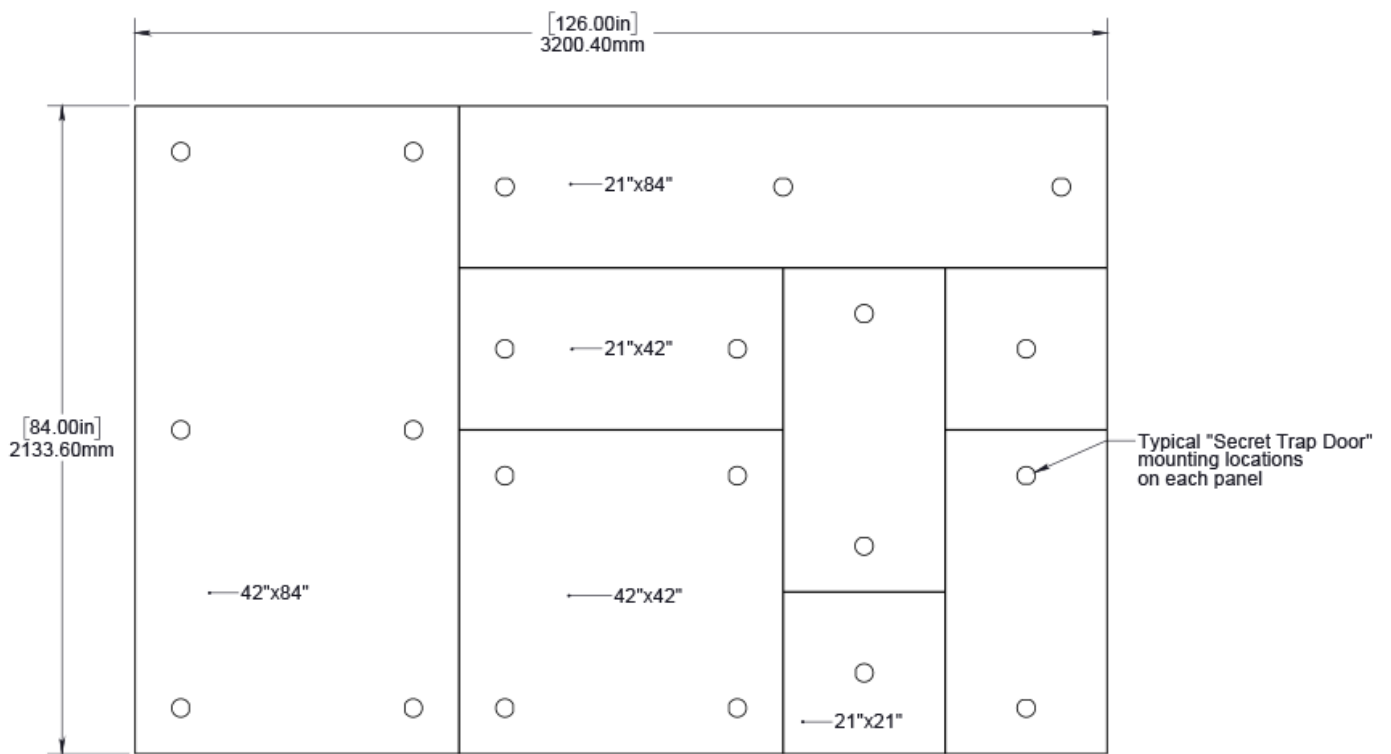
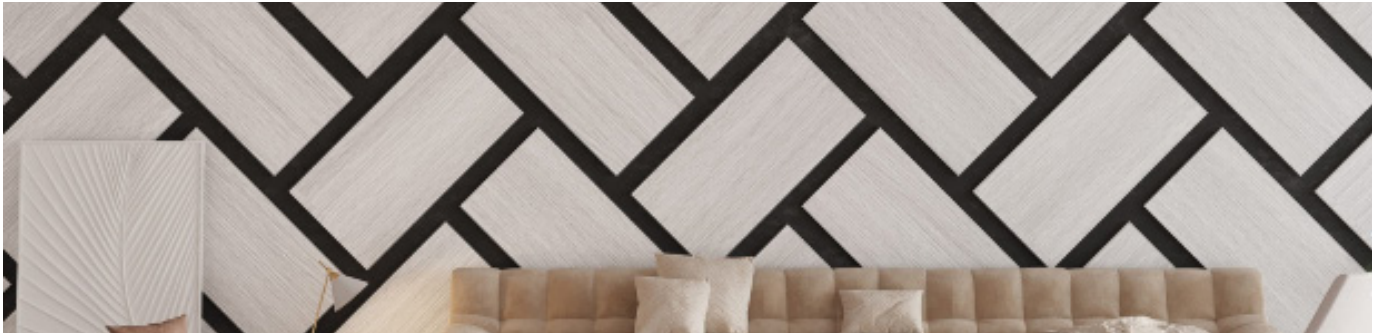


DETAIL B
SCALE 1 : 3

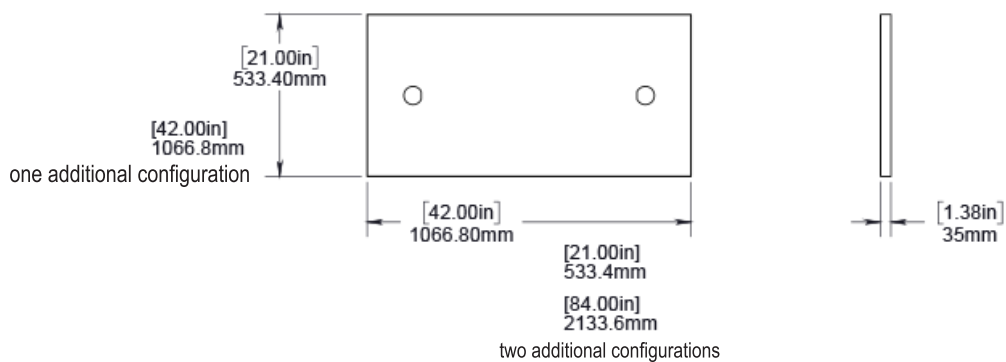


BRIK 2.0 - MIXED TILES - PRO

DIMENSIONS & HARDWARE DETAIL

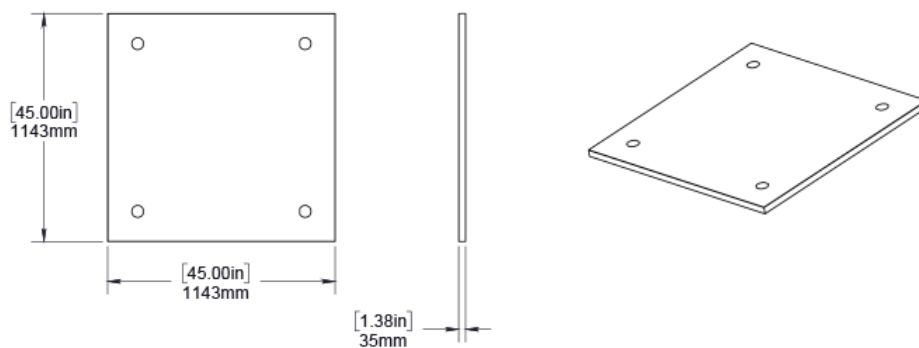
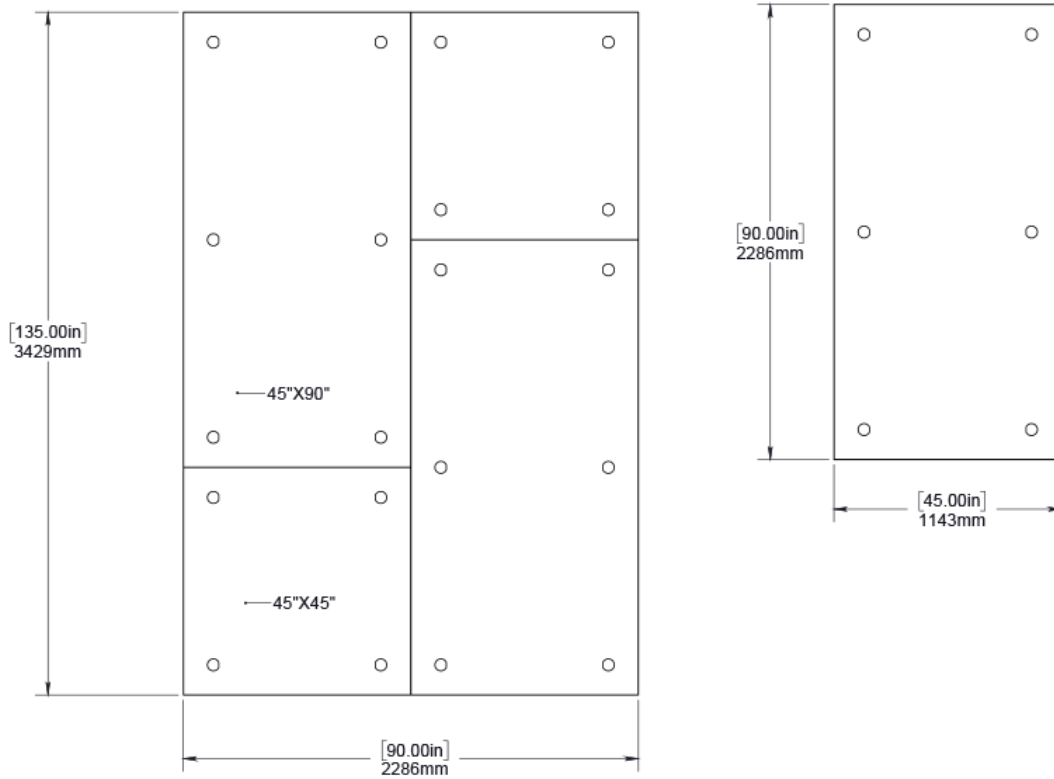


Typical BRIK 2.0 PRO Mixed Tile design Configuration



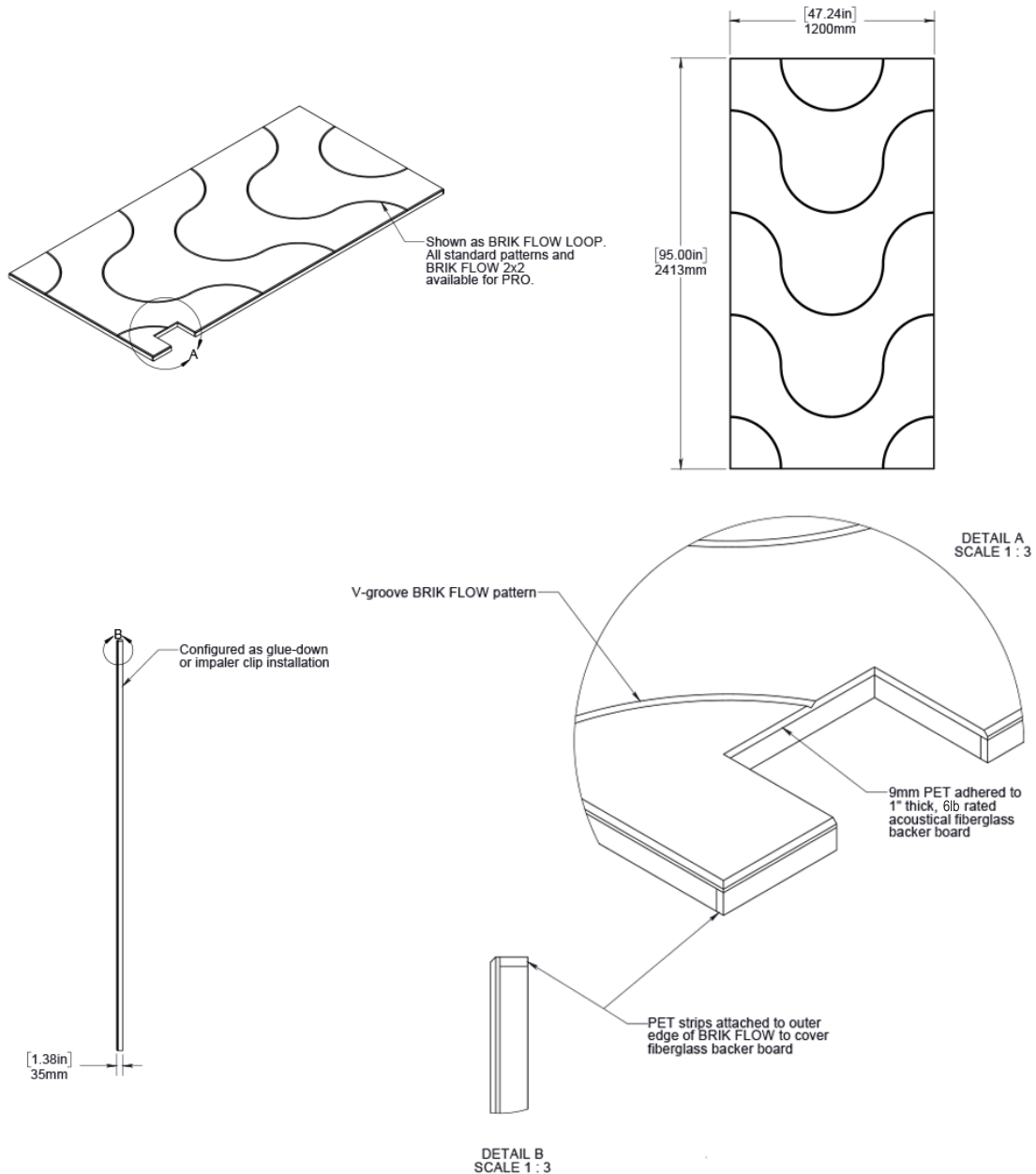
BRIK 2.0 - MAX SIZE TILES - PRO

DIMENSIONS & HARDWARE DETAIL



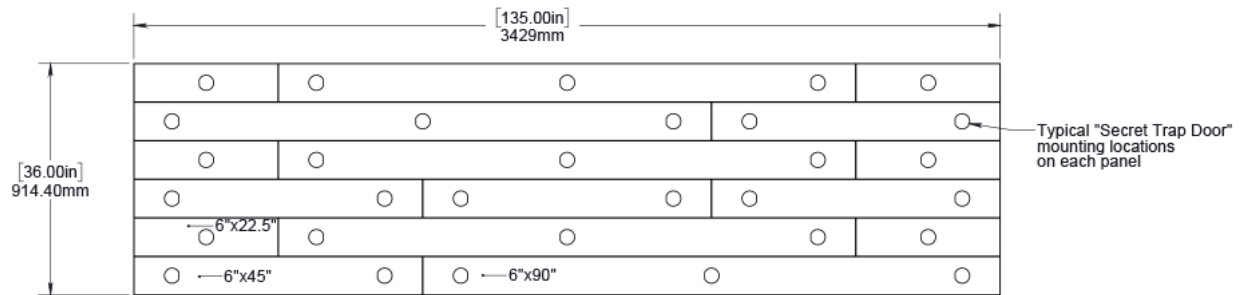
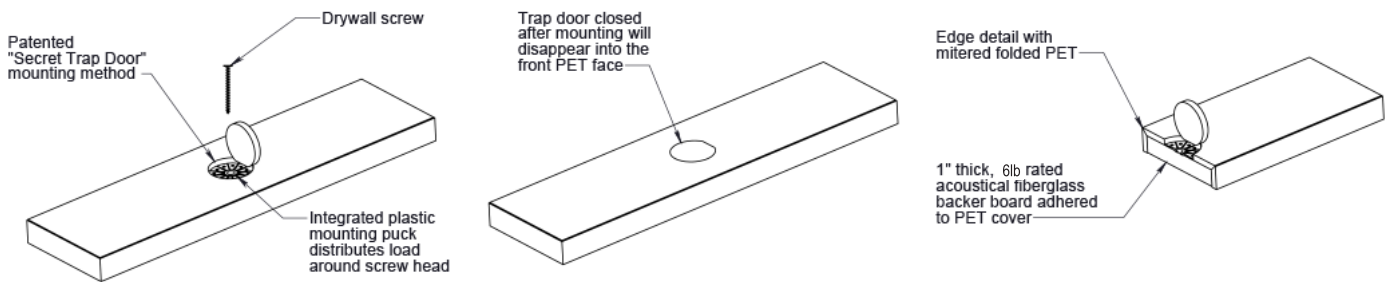
BRIK FLOW - PRO

DIMENSIONS & HARDWARE DETAIL

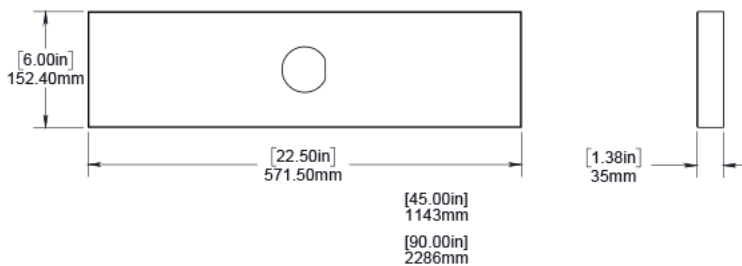


PLANK - PRO

DIMENSIONS & HARDWARE DETAIL



Typical PLANK PRO design configuration



two additional configurations